

50 Hz



e-NSC Series

HORIZONTAL CENTRIFUGAL ELECTRIC PUMPS
EQUIPPED WITH **IE3** MOTORS

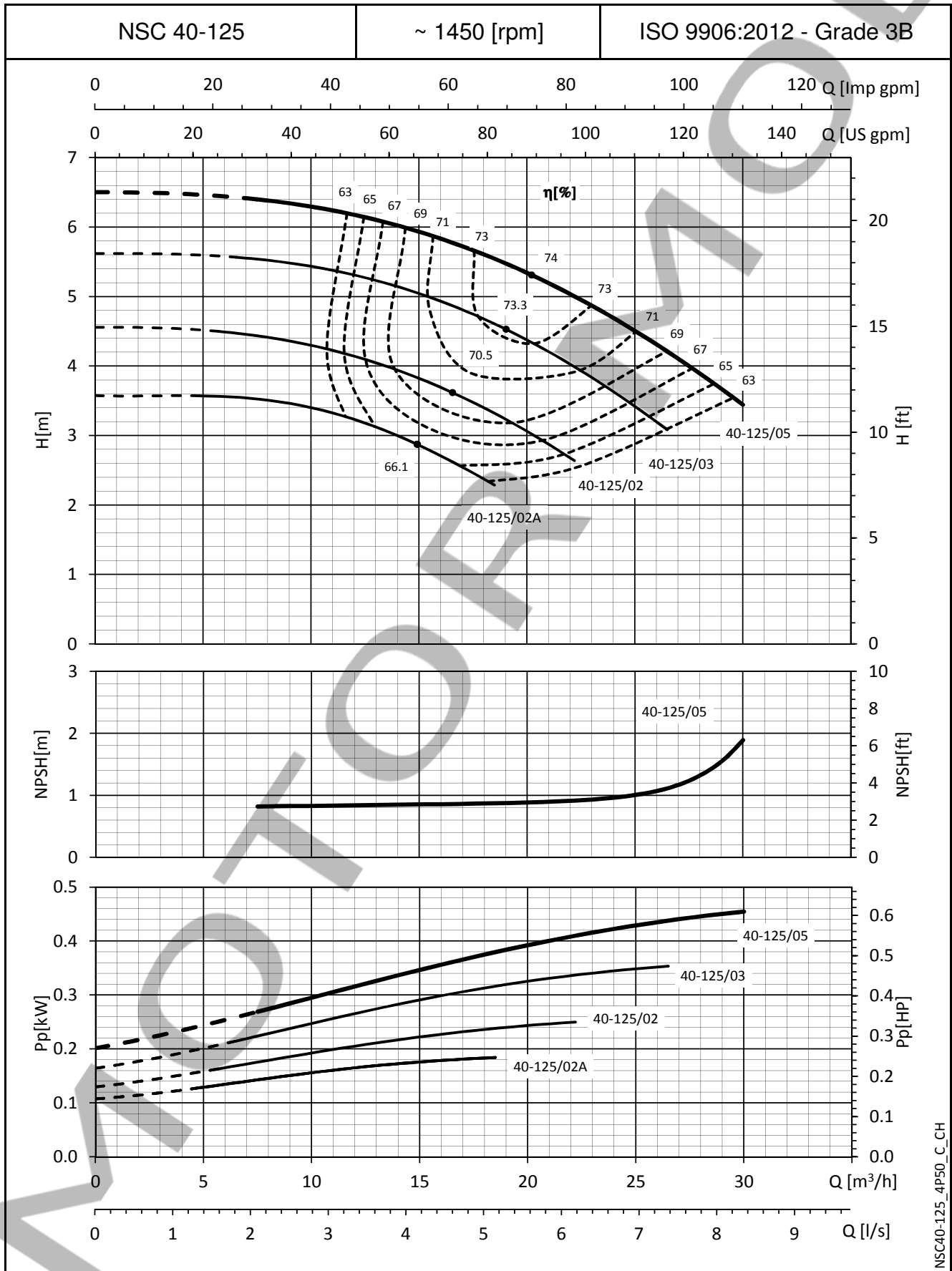
ErP 2009/125/EC

Cod. 191002951 Rev. G Ed.07/2017

 **LOWARA**
a xylem brand

e-NSC SERIES

OPERATING CHARACTERISTICS AT 50 Hz, 4 POLES

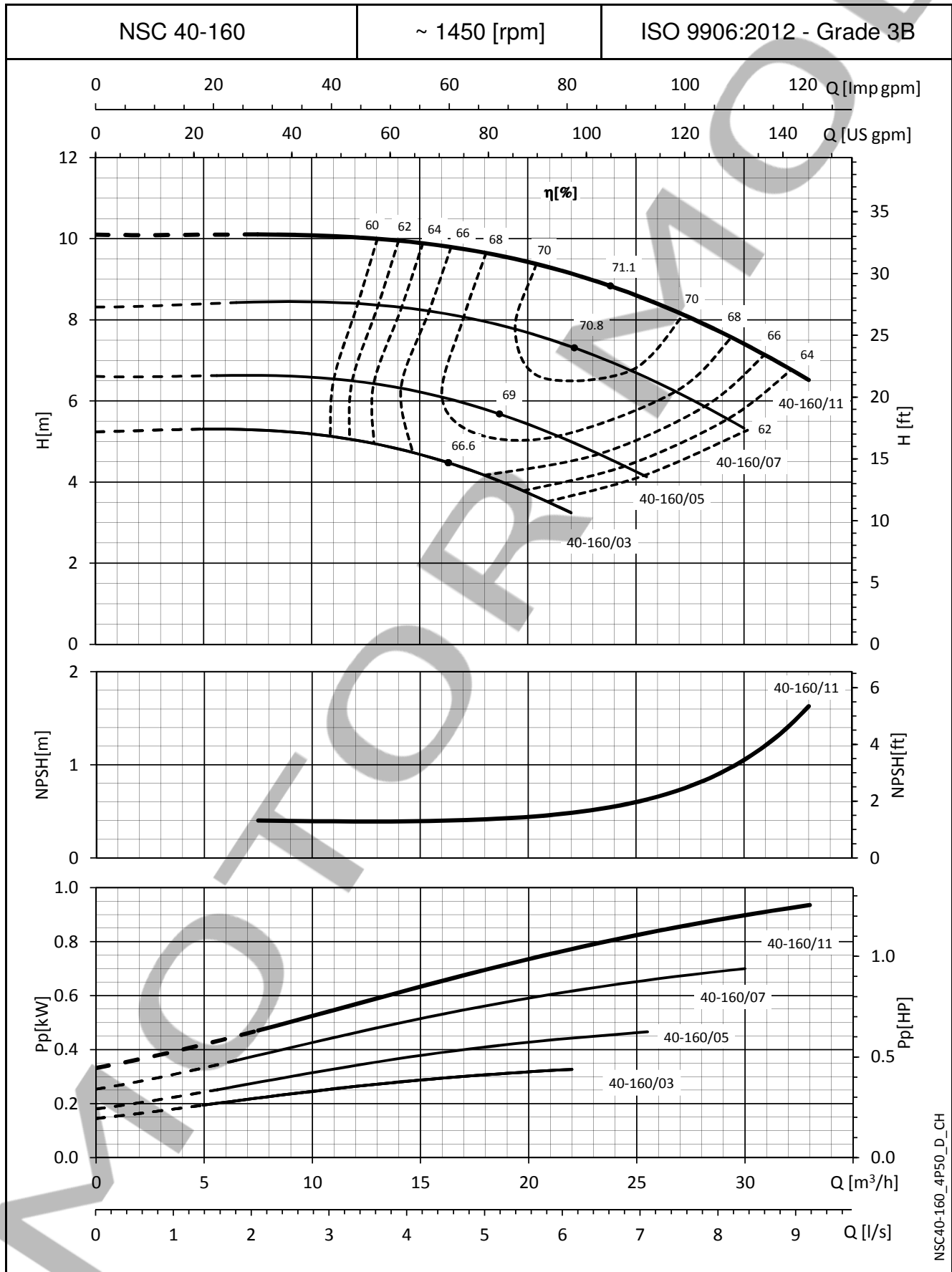


NSC40-125_4P50_C_CH

The NPSH values are laboratory values; for practical use we suggest increasing these values by 0,5 m.
 These performances are valid for liquids with density $\rho = 1,0 \text{ Kg/dm}^3$ and kinematic viscosity $\nu = 1 \text{ mm}^2/\text{sec}$.

e-NSC SERIES

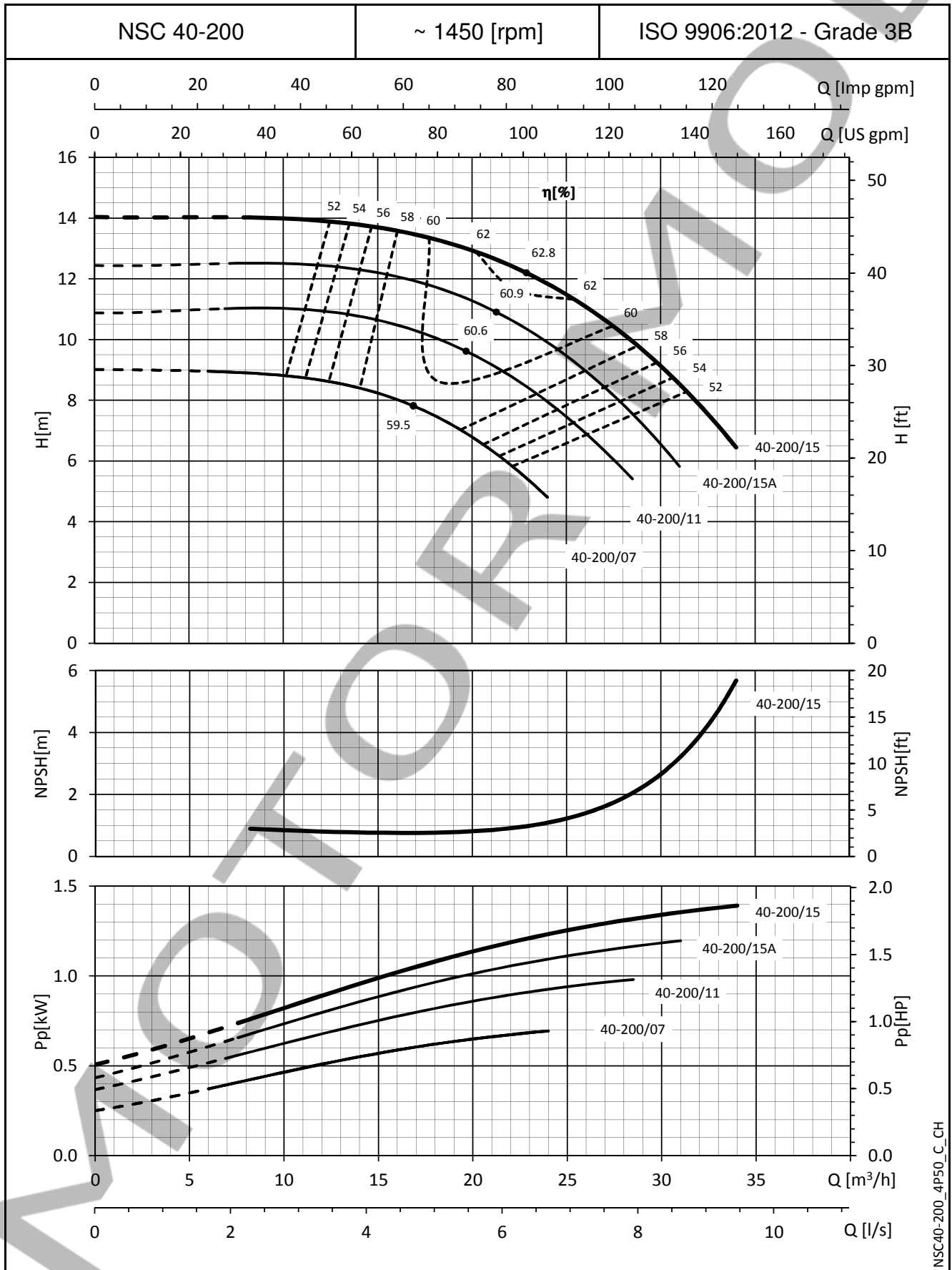
OPERATING CHARACTERISTICS AT 50 Hz, 4 POLES



The NPSH values are laboratory values; for practical use we suggest increasing these values by 0,5 m.
 These performances are valid for liquids with density $\rho = 1,0 \text{ Kg/dm}^3$ and kinematic viscosity $\nu = 1 \text{ mm}^2/\text{sec}$.

e-NSC SERIES

OPERATING CHARACTERISTICS AT 50 Hz, 4 POLES

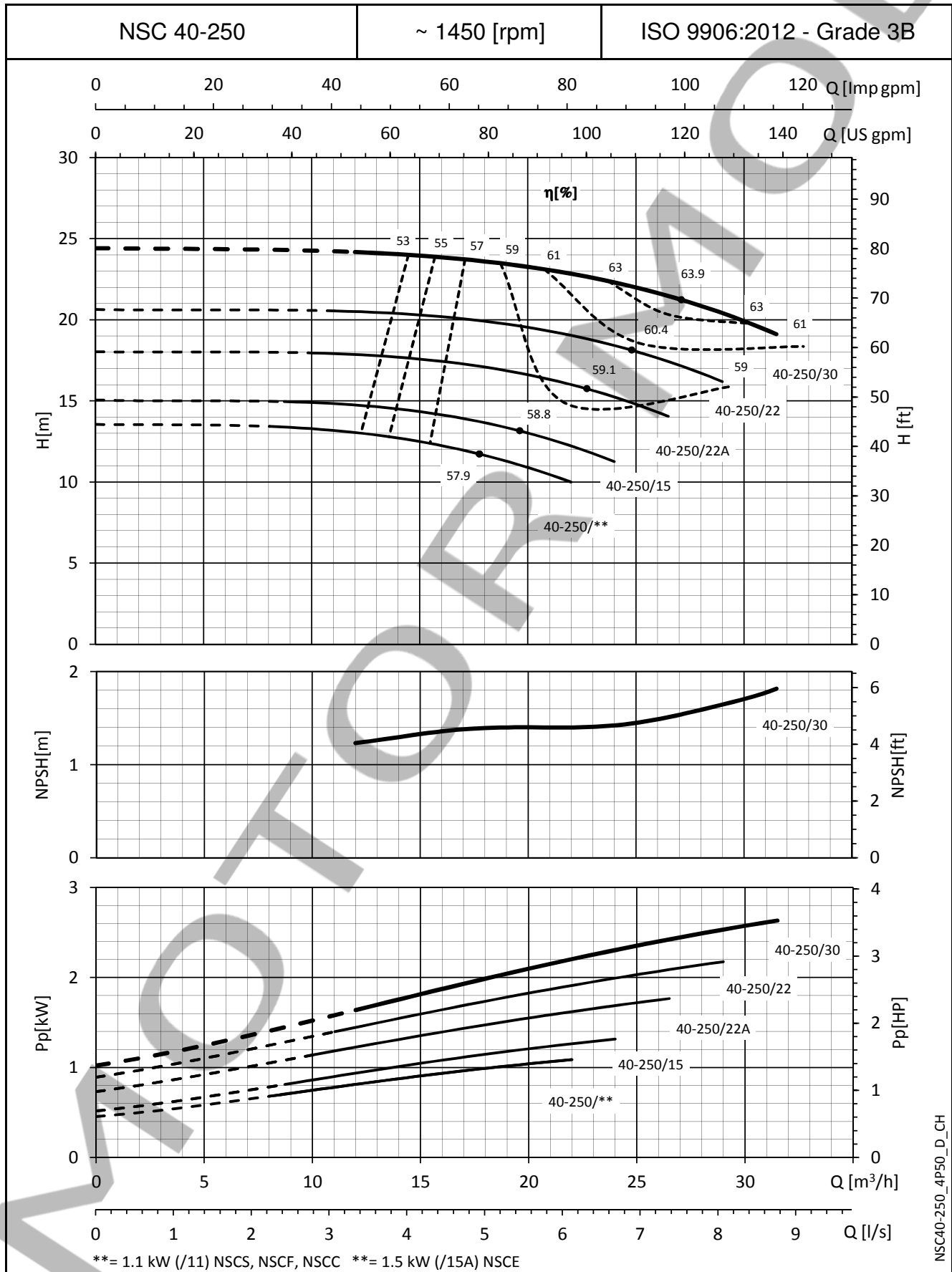


NSC40-200_4P50_C_CH

The NPSH values are laboratory values; for practical use we suggest increasing these values by 0,5 m.
 These performances are valid for liquids with density $\rho = 1,0 \text{ Kg/dm}^3$ and kinematic viscosity $\nu = 1 \text{ mm}^2/\text{sec}$.

e-NSC SERIES

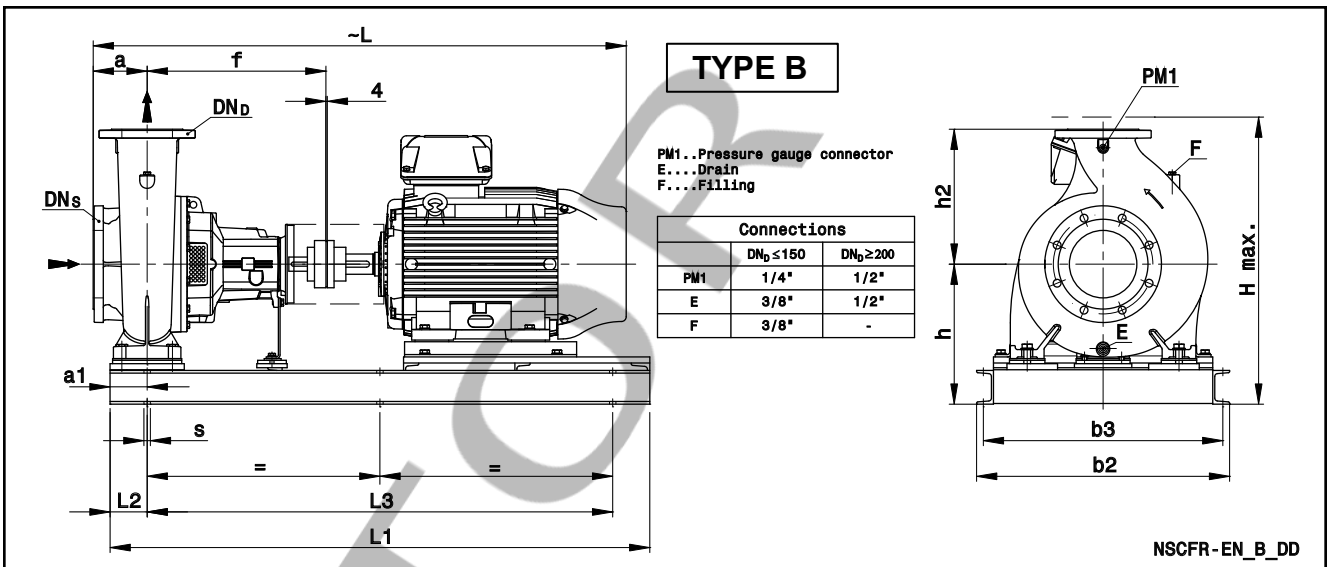
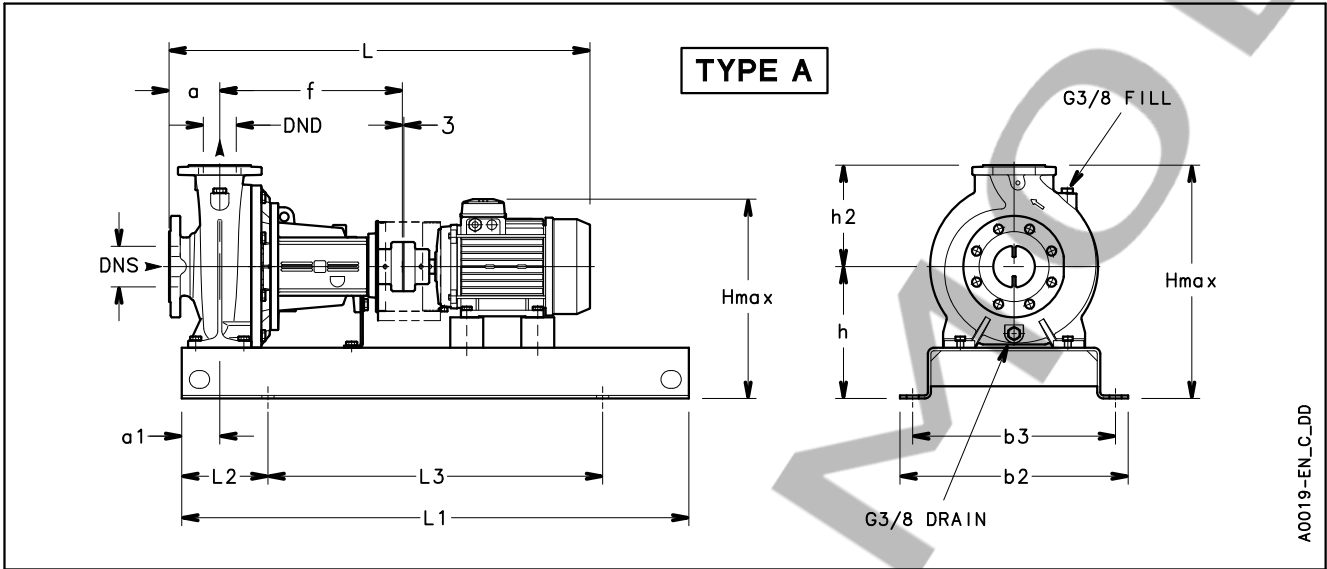
OPERATING CHARACTERISTICS AT 50 Hz, 4 POLES



NSC40-250_4P50_D_CH

The NPSH values are laboratory values; for practical use we suggest increasing these values by 0,5 m.
 These performances are valid for liquids with density $\rho = 1,0 \text{ Kg/dm}^3$ and kinematic viscosity $\nu = 1 \text{ mm}^2/\text{sec}$.

NSCF 32 SERIES (MOUNTED ON BASE) DIMENSIONS AND WEIGHTS AT 50 Hz, 4 POLES



PUMP TYPE NSCF..4	TYPE	DIMENSIONS (mm)														H max	s FOR SCREWS	WEIGHT kg	COUPLING TYPE
		DN _S	DN _D	a	a1	b2	b3	f	h	h2	L	L1	L2	L3					
32-125/02B/S	A	50	32	80	60	360	320	360	212	140	704	800	130	540	352	4xØ19 (M16)	61	B68A	
32-125/02A/S	A	50	32	80	60	360	320	360	212	140	704	800	130	540	352	4xØ19 (M16)	61	B68A	
32-125/02/S	A	50	32	80	60	360	320	360	212	140	704	800	130	540	352	4xØ19 (M16)	61	B68A	
32-125/03/S	A	50	32	80	60	360	320	360	212	140	704	800	130	540	352	4xØ19 (M16)	62	B68A	
32-160/02/S	A	50	32	80	60	360	320	360	232	160	704	800	130	540	392	4xØ19 (M16)	62	B68A	
32-160/03/S	A	50	32	80	60	360	320	360	232	160	704	800	130	540	392	4xØ19 (M16)	63	B68A	
32-160/05A/S	A	50	32	80	60	360	320	360	232	160	746	800	130	540	392	4xØ19 (M16)	66	B68B	
32-160/05/S	A	50	32	80	60	360	320	360	232	160	746	800	130	540	392	4xØ19 (M16)	66	B68B	
32-200/05A/S	A	50	32	80	60	360	320	360	260	180	746	800	130	540	440	4xØ19 (M16)	73	B68B	
32-200/05/S	A	50	32	80	60	360	320	360	260	180	746	800	130	540	440	4xØ19 (M16)	73	B68B	
32-200/07/X	A	50	32	80	60	360	320	360	260	180	714	800	130	540	440	4xØ19 (M16)	76	B68B	
32-200/11/P	A	50	32	80	60	390	350	360	260	180	791	900	150	600	440	4xØ19 (M16)	85	B68C	
32-250/11A/P	A	50	32	100	75	450	400	360	280	225	811	1000	170	660	505	4xØ24 (M20)	112	B68C	
32-250/11/P	A	50	32	100	75	450	400	360	280	225	811	1000	170	660	505	4xØ24 (M20)	112	B68C	
32-250/15/P	A	50	32	100	75	450	400	360	280	225	811	1000	170	660	505	4xØ24 (M20)	117	B68C	
32-250/22/P	A	50	32	100	75	450	400	360	280	225	888	1000	170	660	505	4xØ24 (M20)	127	B80A	

NOTE: Pumps with flanges according to EN 1092-2 as standard.

Nscf32_4p50-en_c_td

Available ASME B16.5 version on request. For flanges dimensions see drawing.

