

Receiver

From

Society
Reference
Address
Phone
Fax
E-mail

Item n° :

60112968

Model :

VS 8/150

Pump data

Pressure rating : 10 bar (1000 KPa)

Min. fluid temperature : -10 °C

Max. fluid temperature : 110 °C

Minimum suction head :

Temperature °C

Minimum suction head : m

Requested data

Flow :

Head :

Fluid (%) :

Fluid Temperature : 20 °C

Density : 998,3 kg/m³

Kinematic viscosity : 1,005 mm²/s

Vapor pressure :

Hydraulic data (duty point)

Flow :

Head :

Materials

Pump body	Bronze
Impeller	Technopolymer
Motor shaft	Ceramic
Air vent plug	Brass
Seal ring	Etylene propylene
Motor casing	Die cast aluminium
Stator jacket	Stainless steel

Motor data

Motor brand : DAB

Power input P1 : 0,022 kW

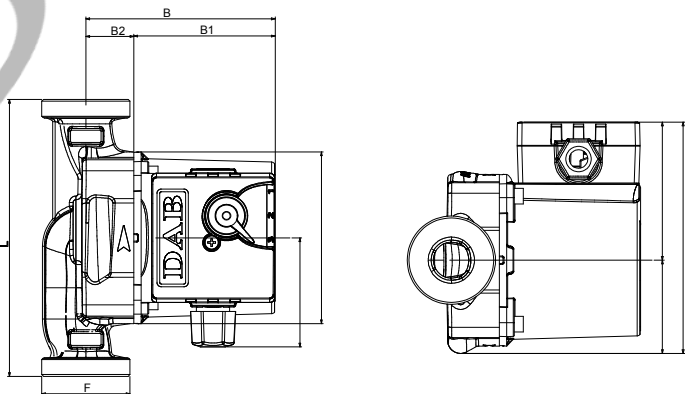
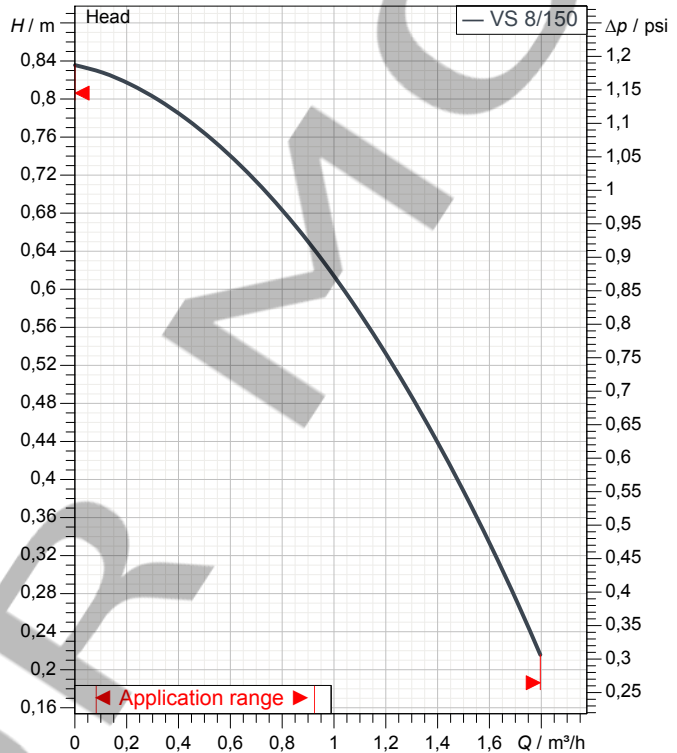
Rated speed : 1340 1/min

Rated voltage : 1~ 230 V 50 Hz

Nominal current : 0,14 A

Degree of protection : IP 44

Curve tolerance according to ISO 9906



Dimensions in mm

B	104	H1	75				
B1	78	H2	49				
B2	26	L	150				
F	1 1/2" G	L1	98				
H	124	L2	60				

Weight : 2,6 kg

Pump connection

Suction side : 1" 1/2 G / 10 bar (1000 KPa)

Discharge side : 1" 1/2 G / 10 bar (1000 KPa)

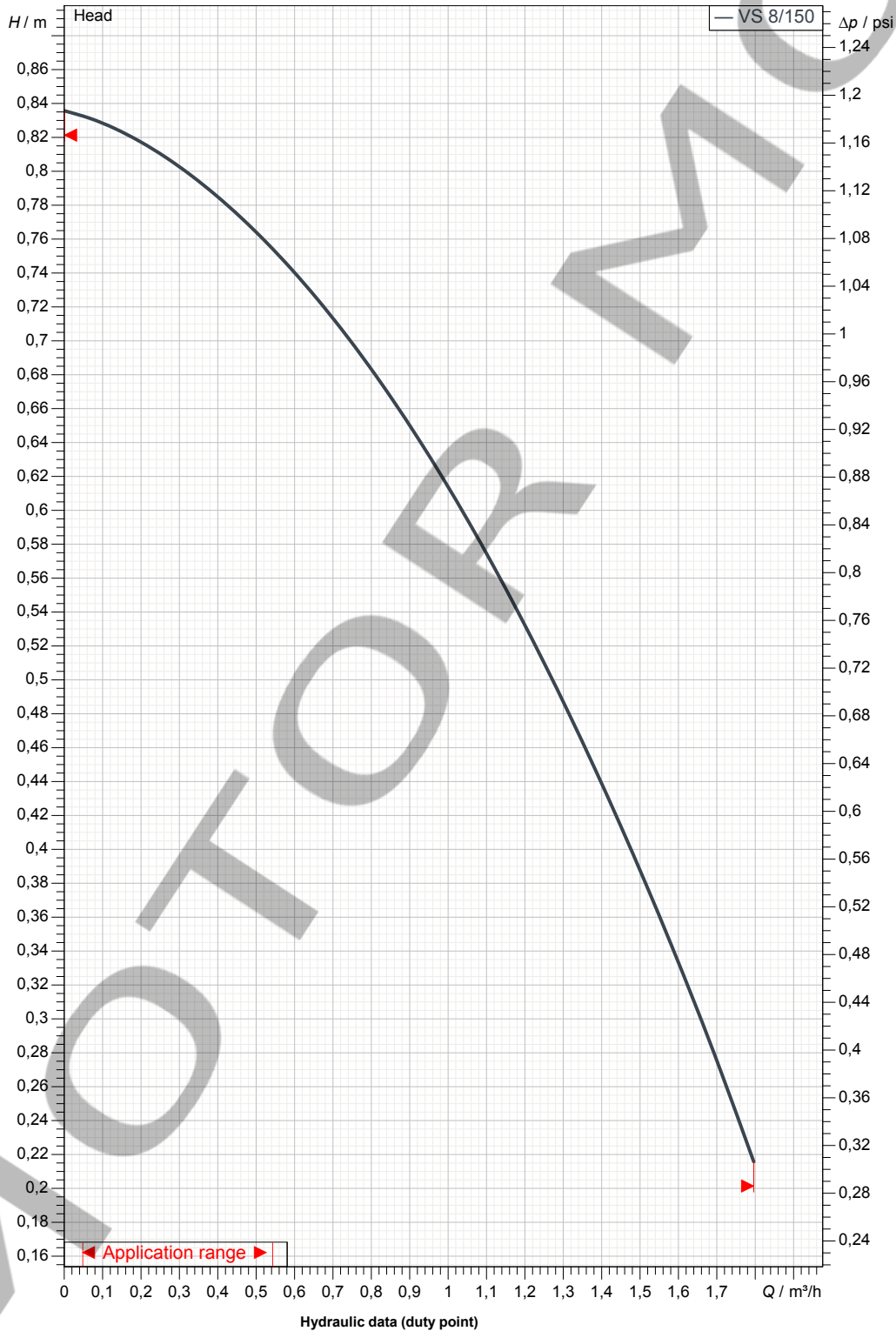
Receiver

From

Society
Reference
Address
Phone
Fax
E-mail

VS 8/150

Curve tolerance according to ISO 9906



Suction side :
1" 1/2 G
10 bar (1000 KPa)

Discharge side :
1" 1/2 G
10 bar (1000 KPa)

Flow :

Head :

Rated speed :
1340 1/min

MAIN_PROJECT_TITLE

BUSINESS_PROCESS_IC

OWNER_

ISSUE_DATE



DIMENSIONAL DRAWING

31/07/2015

Page 3 / 3

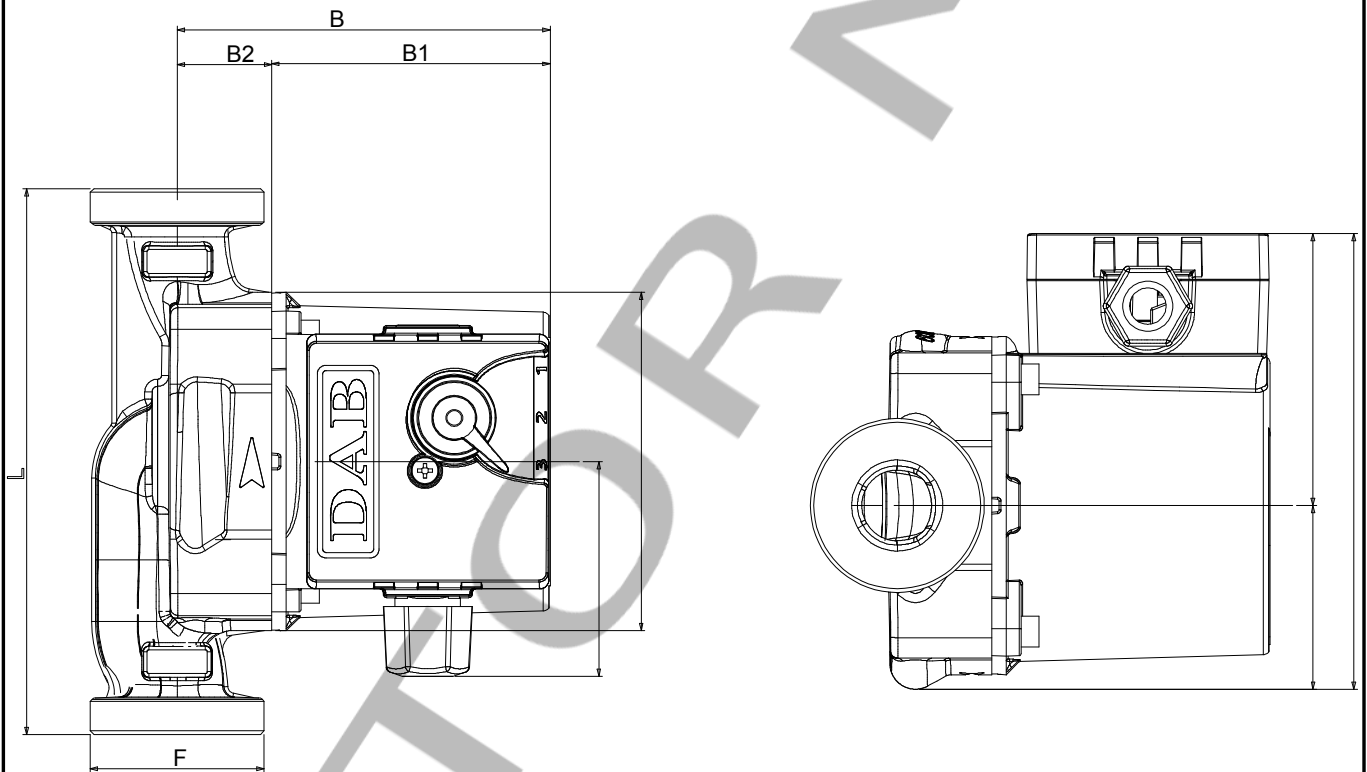
DAB PUMPS S.p.A.
Via Marco Polo, 14 - 35035 Mestrino (PD), Italy
Tel. +39 049 5125000 - Fax +39 049 5125950
www.dabpumps.com

Receiver

From

Society
Reference
Address
Phone
Fax
E-mail

VS 8/150



Dimensions in mm

1	B	104
2	B1	78
3	B2	26
4	F	1 1/2" G
5	H	124
6	H1	75
7	H2	49
8	L	150
9	L1	98
10	L2	60

Pump connection

Suction
1" 1/2 G
10 bar (1000 KPa)

Discharge
1" 1/2 G
10 bar (1000 KPa)

MAIN_PROJECT_TITLE

BUSINESS_PROCESS_ID

OWNER

ISSUE_DATE