

Receiver

From

Society
Reference
Address
Phone
Fax
E-mail

Item n° :

60115298

Model :

VS 35/150

Pump data

Pressure rating : 10 bar (1000 KPa)

Min. fluid temperature : -10 °C

Max. fluid temperature : 110 °C

Minimum suction head :

Temperature °C

Minimum suction head : m

Requested data

Flow :

Head :

Fluid (%) :

Fluid Temperature : 20 °C

Density : 998,3 kg/m³

Kinematic viscosity : 1,005 mm²/s

Vapor pressure :

Hydraulic data (duty point)

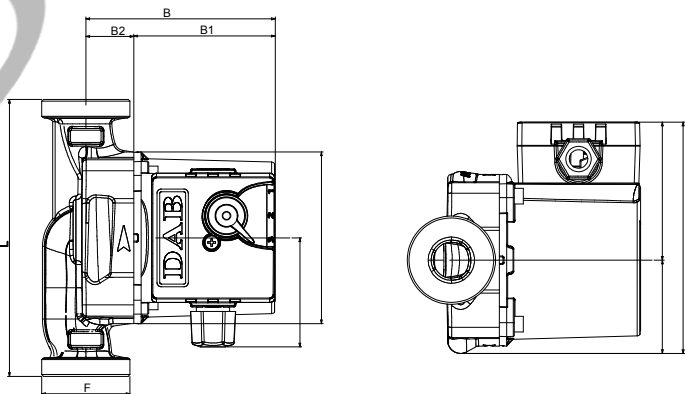
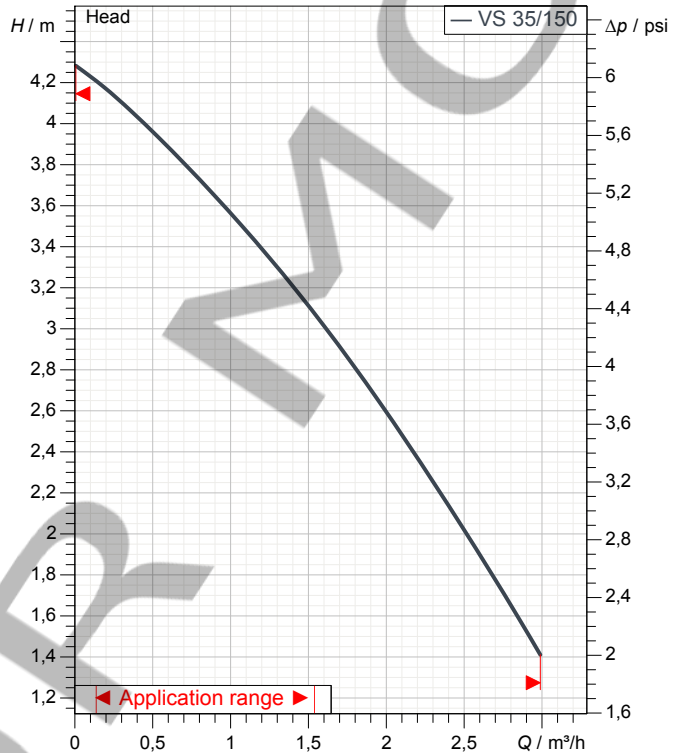
Flow :

Head :

Materials

| | |
|---------------|--------------------|
| Pump body | Bronze |
| Impeller | Technopolymer |
| Motor shaft | Ceramic |
| Air vent plug | Brass |
| Seal ring | Etylene propylene |
| Motor casing | Die cast aluminium |
| Stator jacket | Stainless steel |

Curve tolerance according to ISO 9906



Motor data

Motor brand : DAB

Power input P1 : 0,055 kW

Rated speed : 2470 1/min

Rated voltage : 1~ 230 V 50 Hz

Nominal current : 0,24 A

Degree of protection : IP 44

Dimensions in mm

| | | | | | | | |
|----|----------|----|-----|--|--|--|--|
| B | 104 | H1 | 75 | | | | |
| B1 | 78 | H2 | 49 | | | | |
| B2 | 26 | L | 150 | | | | |
| F | 1 1/2" G | L1 | 98 | | | | |
| H | 124 | L2 | 60 | | | | |

Weight : 2,6 kg

Pump connection

Suction side : 1 " 1/2 G / 10 bar (1000 KPa)

Discharge side : 1 " 1/2 G / 10 bar (1000 KPa)



PERFORMANCE CURVES

31/07/2015

Page 2 / 3

DAB PUMPS S.p.A.
Via Marco Polo, 14 - 35035 Mestrino (PD), Italy
Tel. +39 049 5125000 - Fax +39 049 5125950
www.dabpumps.com

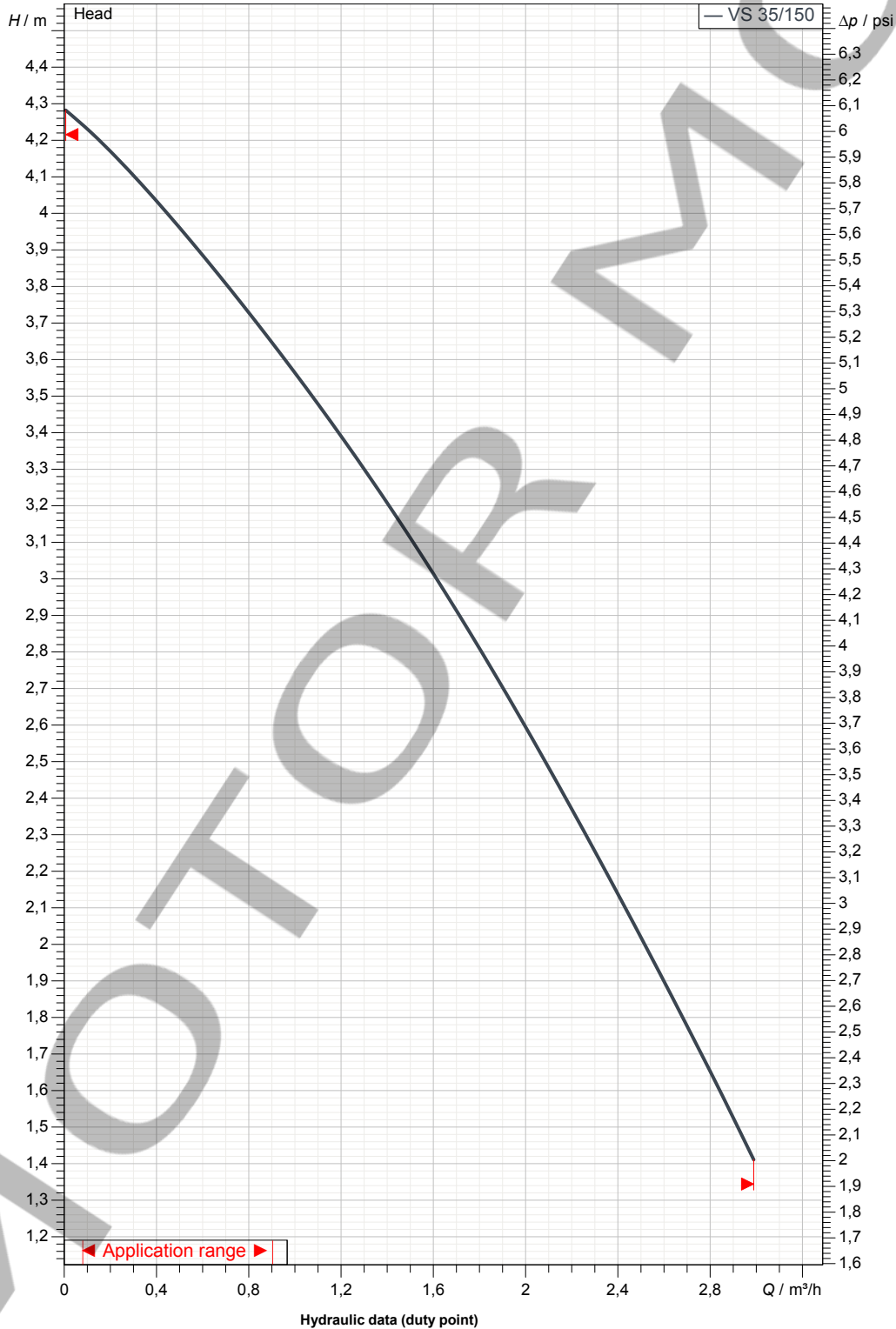
Receiver

From

Society
Reference
Address
Phone
Fax
E-mail

VS 35/150

Curve tolerance according to ISO 9906



Suction side :
1" 1/2 G
10 bar (1000 KPa)

Discharge side :
1" 1/2 G
10 bar (1000 KPa)

Flow :

Head :

Rated speed :
2470 1/min

MAIN_PROJECT_TITLE

BUSINESS_PROCESS_IC

OWNER_

ISSUE_DATE



DIMENSIONAL DRAWING

31/07/2015

Page 3 / 3

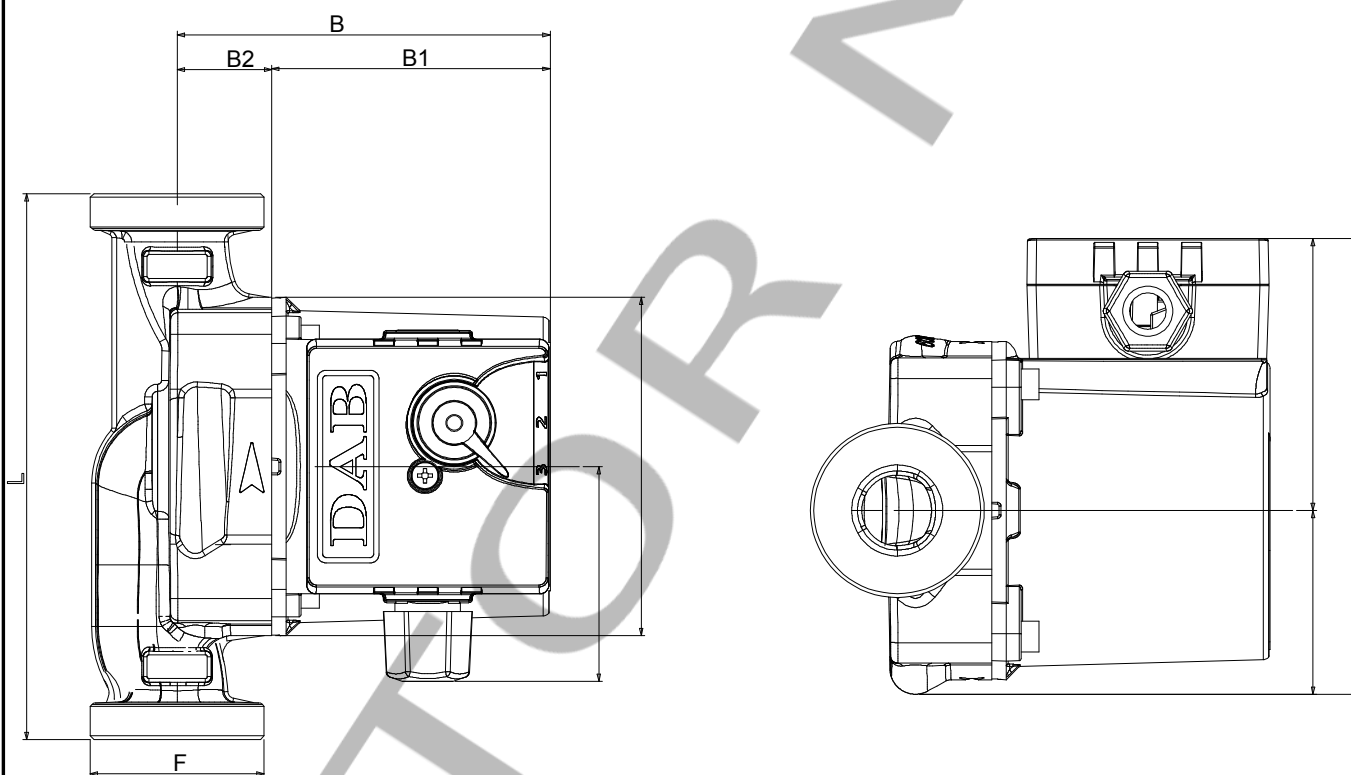
DAB PUMPS S.p.A.
Via Marco Polo, 14 - 35035 Mestrino (PD), Italy
Tel. +39 049 5125000 - Fax +39 049 5125950
www.dabpumps.com

Receiver

From

Society
Reference
Address
Phone
Fax
E-mail

VS 35/150



Dimensions in mm

| | | |
|----|----|----------|
| 1 | B | 104 |
| 2 | B1 | 78 |
| 3 | B2 | 26 |
| 4 | F | 1 1/2" G |
| 5 | H | 124 |
| 6 | H1 | 75 |
| 7 | H2 | 49 |
| 8 | L | 150 |
| 9 | L1 | 98 |
| 10 | L2 | 60 |

Pump connection

Suction
1" 1/2 G
10 bar (1000 KPa)

Discharge
1" 1/2 G
10 bar (1000 KPa)

MAIN_PROJECT_TITLE

BUSINESS_PROCESS_ID

OWNER

ISSUE_DATE