

Receiver

From

Society
Reference
Address
Phone
Fax
E-mail

Item n° :

60122636

Model :

VERTY NOVA 200 M

Pump data

Free passage : 5 mm

Pressure rating :

Min. fluid temperature :

Max. fluid temperature :

Max. Ambient temperature :

Requested data

Flow :

Head :

Fluid : Water

Fluid Temperature : 20 °C

Density : 998,3 kg/m³

Kinematic viscosity : 1,005 mm²/s

Vapor pressure :

Hydraulic data (duty point)

Flow :

Head :

Materials

Pump body Technopolymer

Impeller Noryl

Motor casing Stainless Steel AISI 304

Motor shaft AISI 416 X12 CrS 13 UNI EN 10088-1

Float Technopolymer

OR ring NBR 70

Filter Technopolymer

Motor data

Motor brand : DAB

Nominal power P2 : 0,2 kW

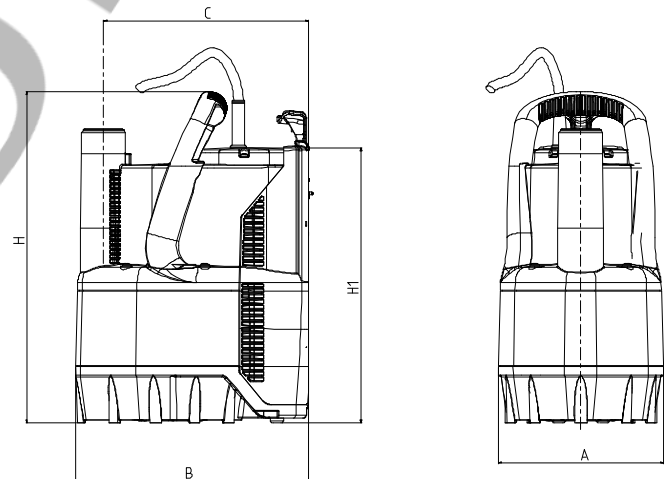
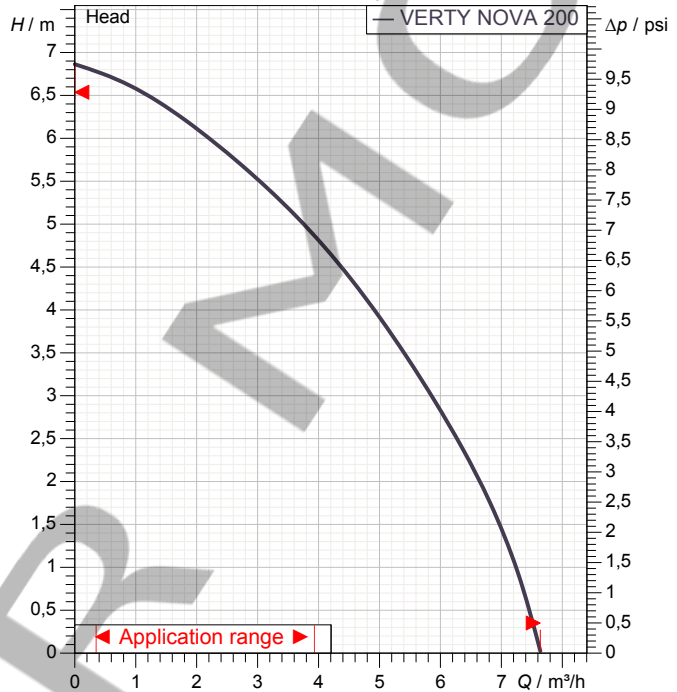
Rated speed : 2800 1/min

Rated voltage : 1~ 220-240 V 50 Hz

Nominal current : 1,3 A

Degree of protection : IP X8

Curve tolerance according to ISO 9906



Weight : 4,2 kg

Dimensions in mm

A	158				
B	225				
C	200				
D	33				
H	318				
H1	265				

Pump connection

Suction side : /

Discharge side : /



PERFORMANCE CURVES

03/08/2015

Page 2 / 3

DAB PUMPS S.p.A.
Via Marco Polo, 14 - 35035 Mestrino (PD), Italy
Tel. +39 049 5125000 - Fax +39 049 5125950
www.dabpumps.com

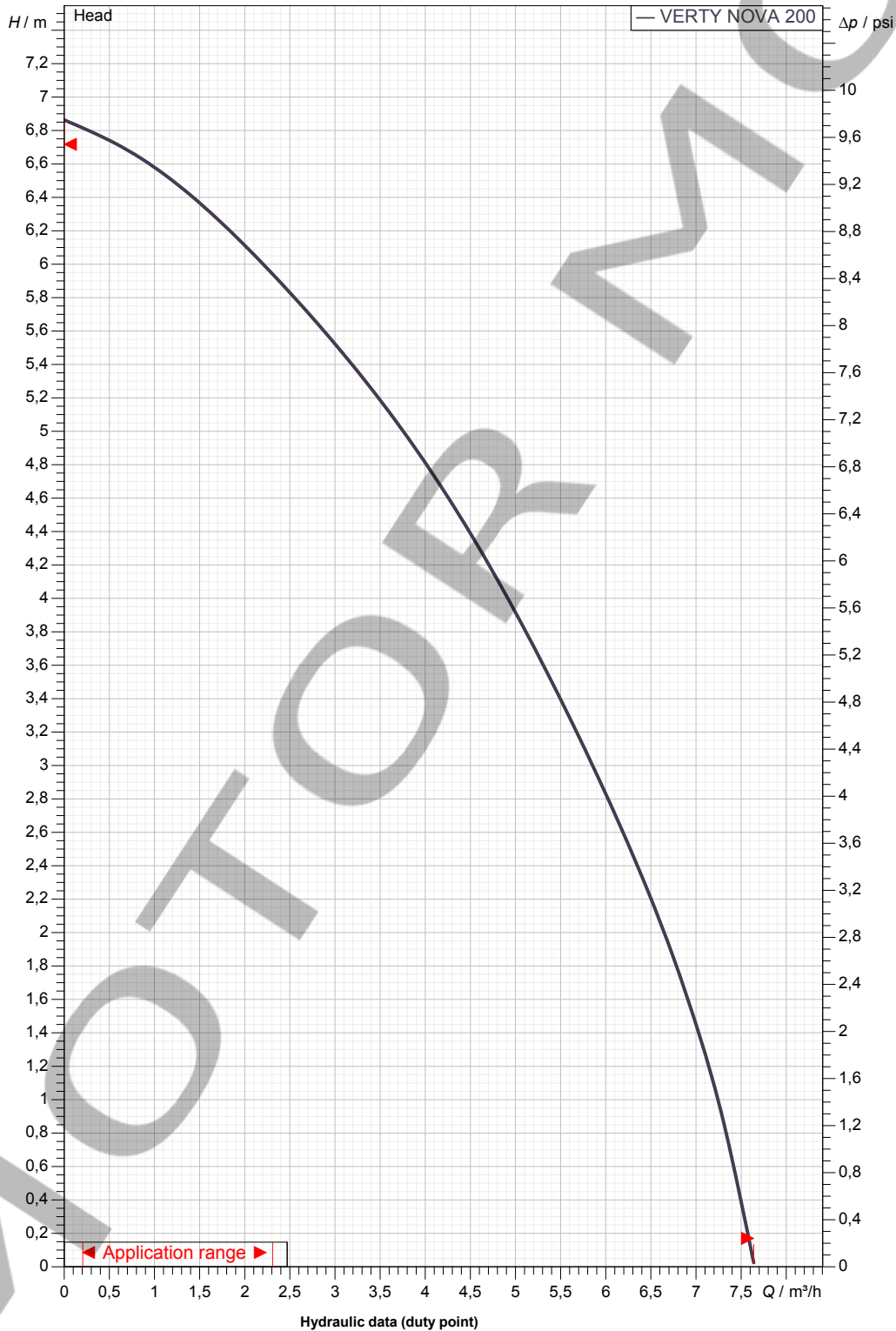
Receiver

From

Society
Reference
Address
Phone
Fax
E-mail

VERTY NOVA 200 M

Curve tolerance according to ISO 9906



Suction side :

Discharge side :

Flow :

Head :

Rated speed :
2800 1/min

MAIN_PROJECT_TITLE

BUSINESS_PROCESS_IC

OWNER_

ISSUE_DATE



DIMENSIONAL DRAWING

03/08/2015

Page 3 / 3

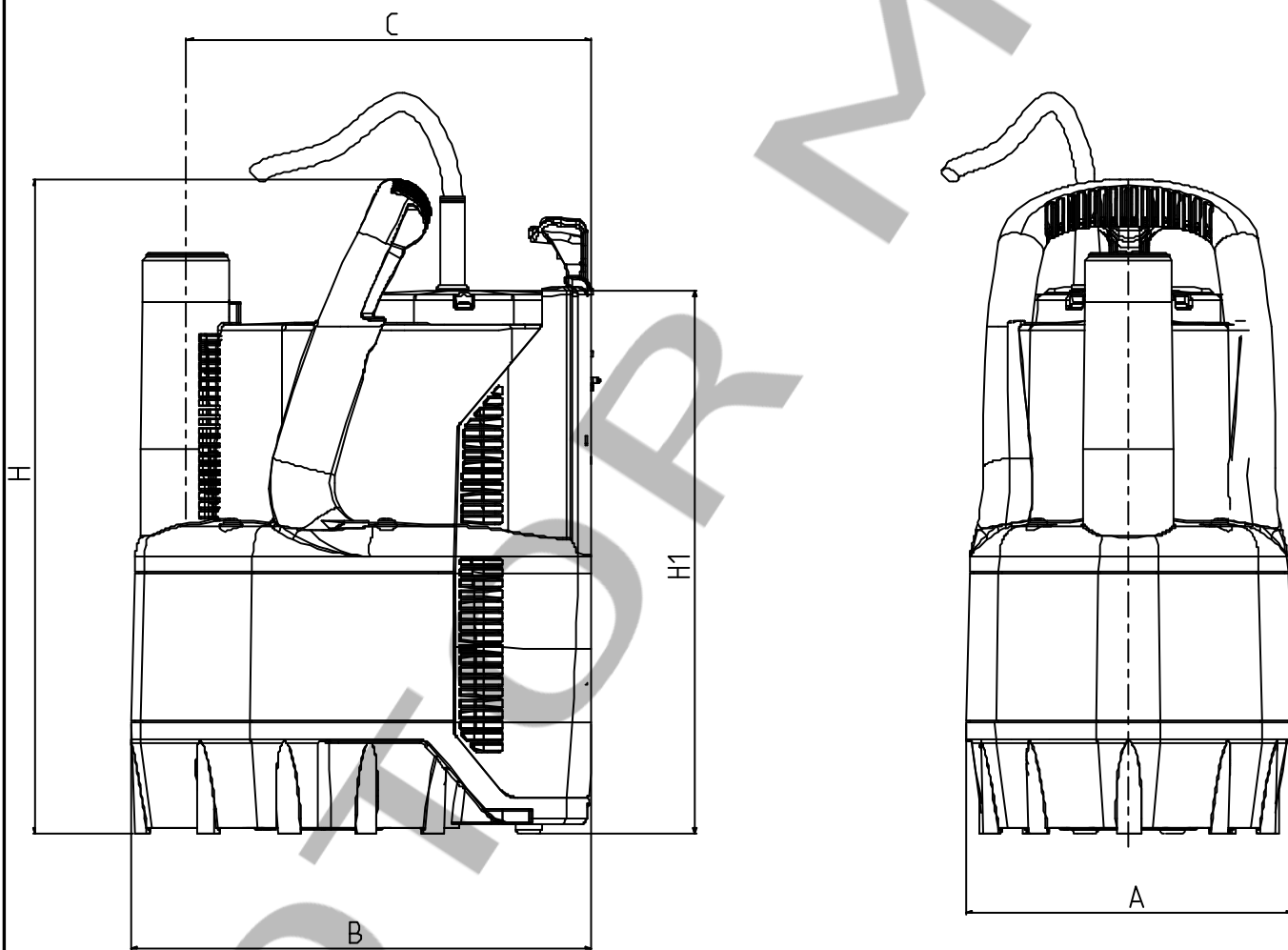
DAB PUMPS S.p.A.
Via Marco Polo, 14 - 35035 Mestrino (PD), Italy
Tel. +39 049 5125000 - Fax +39 049 5125950
www.dabpumps.com

Receiver

From

Society
Reference
Address
Phone
Fax
E-mail

VERTY NOVA 200 M



Dimensions in mm

1	A	158
2	B	225
3	C	200
4	D	33
5	H	318
6	H1	265

Pump connection

Suction

Discharge

MAIN_PROJECT_TITLE

BUSINESS_PROCESS_ID

OWNER_

ISSUE_DATE