

Receiver

From

Society
Reference
Address
Phone
Fax
E-mail

Item n° :

60112991

Model :

VD 65/220.32

Pump data

Pressure rating : PN 10
Min. fluid temperature : -10 °C
Max. fluid temperature : 110 °C

Minimum suction head :

Temperature : °C
Minimum suction head : m

Requested data

Flow :
Head :
Fluid (%) :
Fluid Temperature : 20 °C
Density : 998,3 kg/m³
Kinematic viscosity : 1,005 mm²/s
Vapor pressure :

Hydraulic data (duty point)

Flow :
Head :

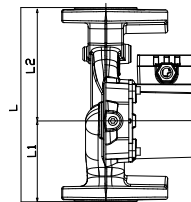
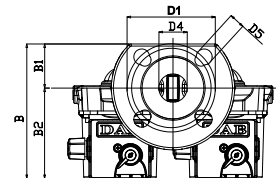
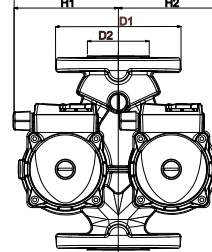
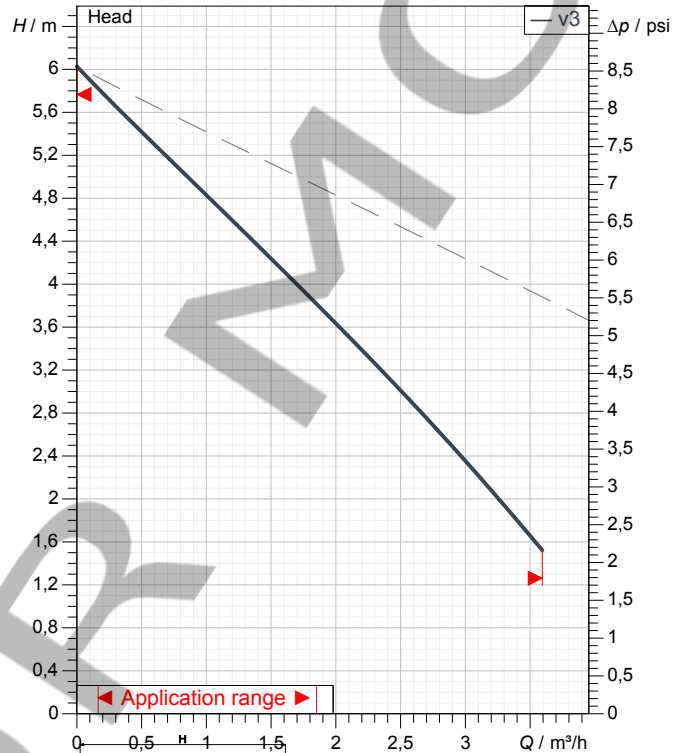
Materials

Pump body : Cast iron
Impeller : Technopolymer
Motor shaft : Stainless steel
Air vent plug : Brass
Seal ring : Etyilene propylene
Motor casing : Die cast aluminium
Stator jacket : Stainless steel

Motor data

Motor brand : DAB
Power input P1 : 0,078 kW
Rated speed : 2310 1/min
Rated voltage : 1~ 230 V 50 Hz
Nominal current : 0,34 A
Degree of protection : IP 44

Curve tolerance according to ISO 9906



Dimensions in mm

B	150	H2	115				
B1	50	L	220				
B2	100	L1	91,5				
H	230	L2	128,5				
H1	115						

Weight : 8,2 kg

Pump connection

Suction side : DN 32 / PN 10
Discharge side : DN 32 / PN 10

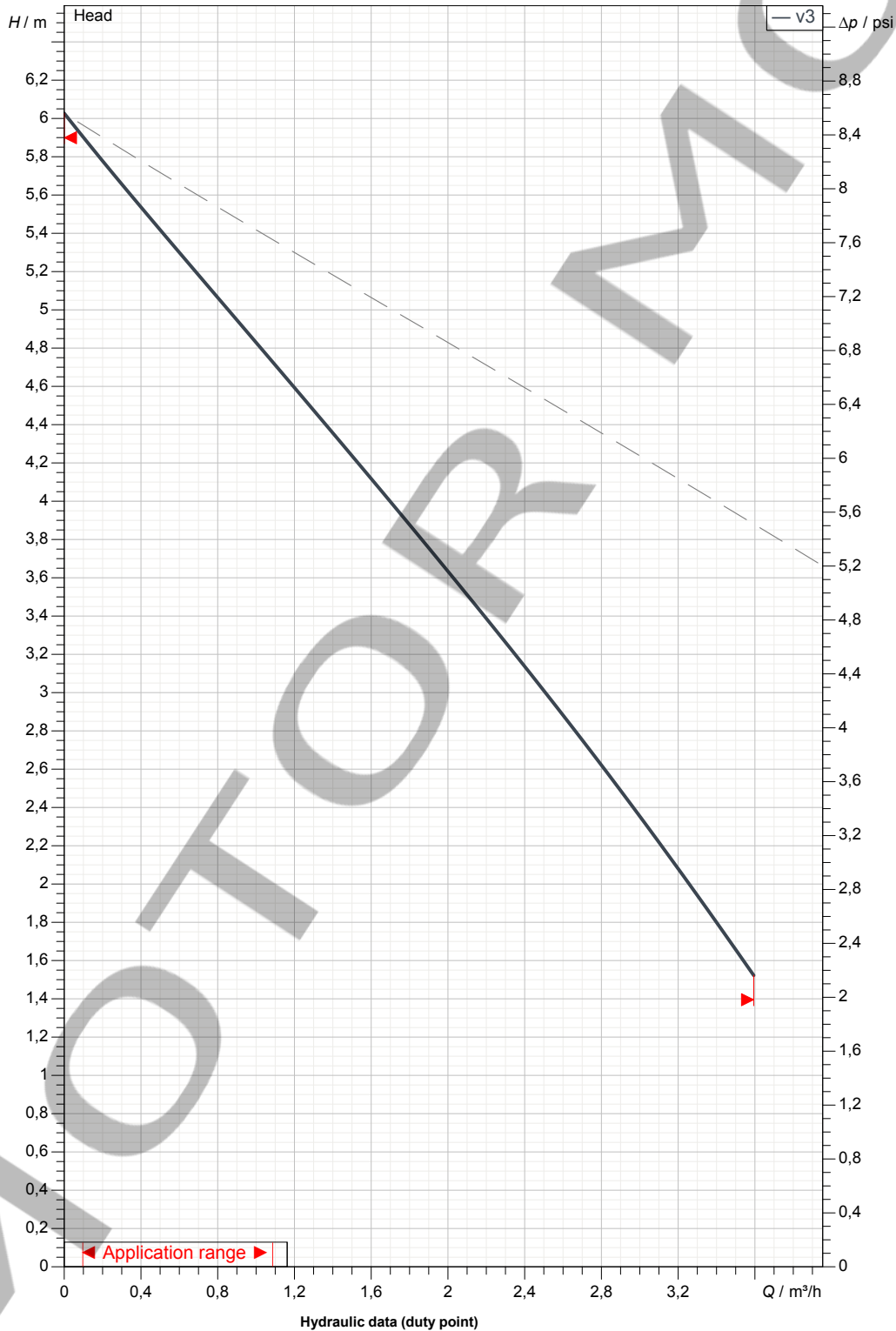
Receiver

From

Society
Reference
Address
Phone
Fax
E-mail

VD 65/220.32

Curve tolerance according to ISO 9906



Suction side :
DN 32
PN 10

Discharge side :
DN 32
PN 10

Flow :

Head :

Rated speed :
2310 1/min

MAIN_PROJECT_TITLE

BUSINESS_PROCESS_IT

OWNER_

ISSUE_DATE



DIMENSIONAL DRAWING

DAB PUMPS S.p.A.
Via Marco Polo, 14 - 35035 Mestrino (PD), Italy
Tel. +39 049 5125000 - Fax +39 049 5125950
www.dabpumps.com

30/07/2015

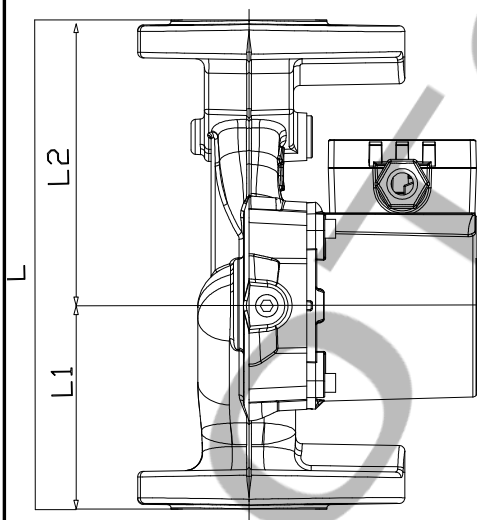
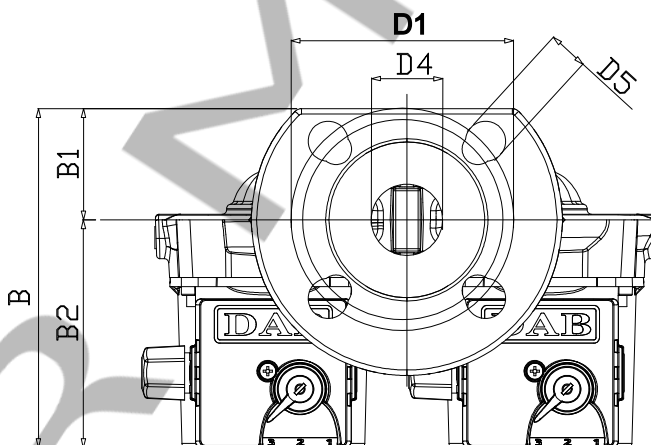
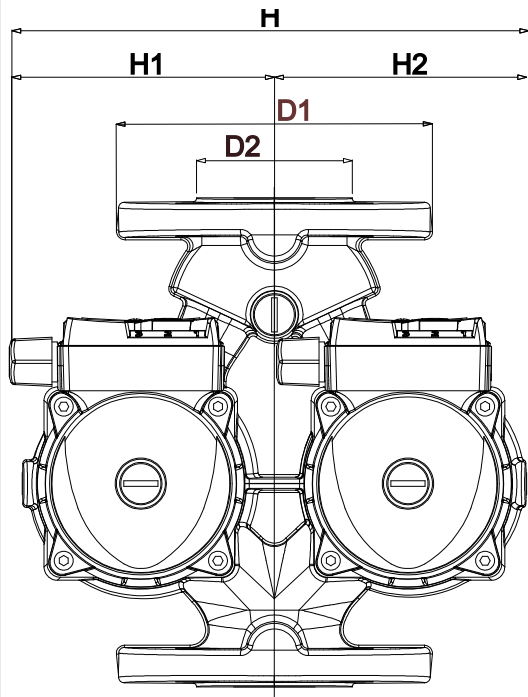
Page 3 / 3

Receiver

From

Society
Reference
Address
Phone
Fax
E-mail

VD 65/220.32



Dimensions in mm

Pump connection

1	B	150
2	B1	50
3	B2	100
4	H	230
5	H1	115
6	H2	115
7	L	220
8	L1	91,5
9	L2	128,5

Suction
DN 32
PN 10

Discharge
DN 32
PN 10

MAIN_PROJECT_TITLE

BUSINESS_PROCESS_ID

OWNER_

ISSUE_DATE