

Receiver

From

Society
Reference
Address
Phone
Fax
E-mail

Item n° :

60112989

Model :

VB 65/120

Pump data

Pressure rating : PN 10
Min. fluid temperature : -10 °C
Max. fluid temperature : 110 °C

Minimum suction head :

Temperature : °C
Minimum suction head : m

Requested data

Flow :
Head :
Fluid (%) :
Fluid Temperature : 20 °C
Density : 998,3 kg/m³
Kinematic viscosity : 1,005 mm²/s
Vapor pressure :

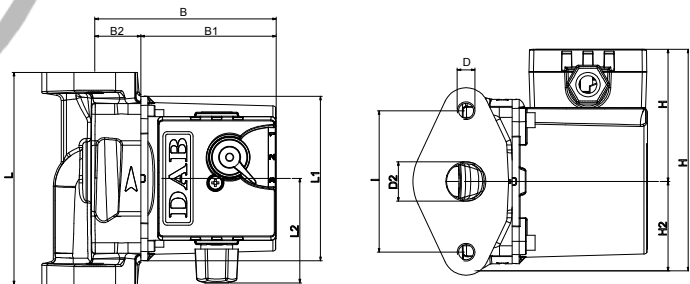
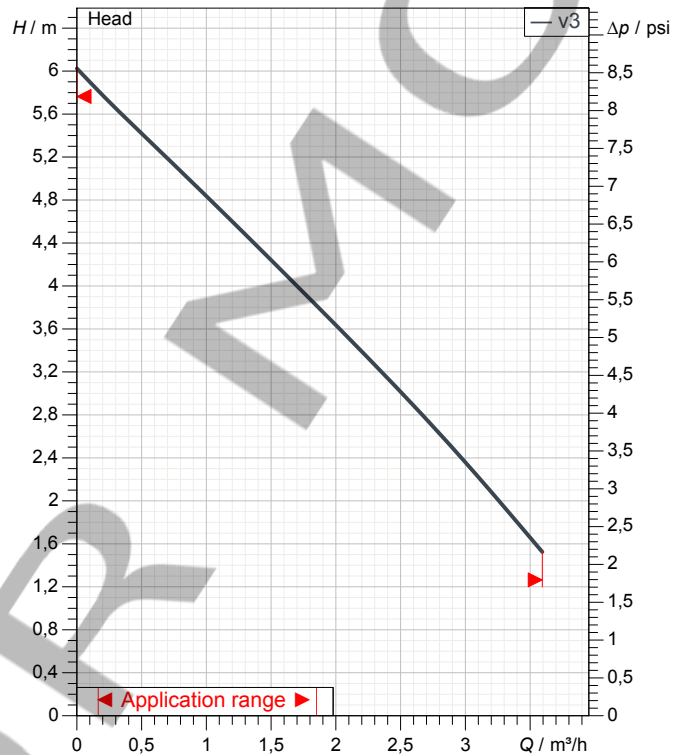
Hydraulic data (duty point)

Flow :
Head :

Materials

Pump body : Cast iron
Impeller : Technopolymer
Motor shaft : Stainless steel
Air vent plug : Brass
Seal ring : Etylene propylene
Motor casing : Die cast aluminium
Stator jacket : Stainless steel

Curve tolerance according to ISO 9906



Motor data

Motor brand : DAB
Power input P1 : 0,078 kW
Rated speed : 2310 1/min
Rated voltage : 1~ 230 V 50 Hz
Nominal current : 0,34 A
Degree of protection : IP 44

Dimensions in mm

B	104	H2	49
B1	78	L	120
B2	26	L1	98
H	124	L2	60
H1	75		

Weight : 2,7 kg

Pump connection

Suction side : DN 25 / PN 10
Discharge side : DN 25 / PN 10

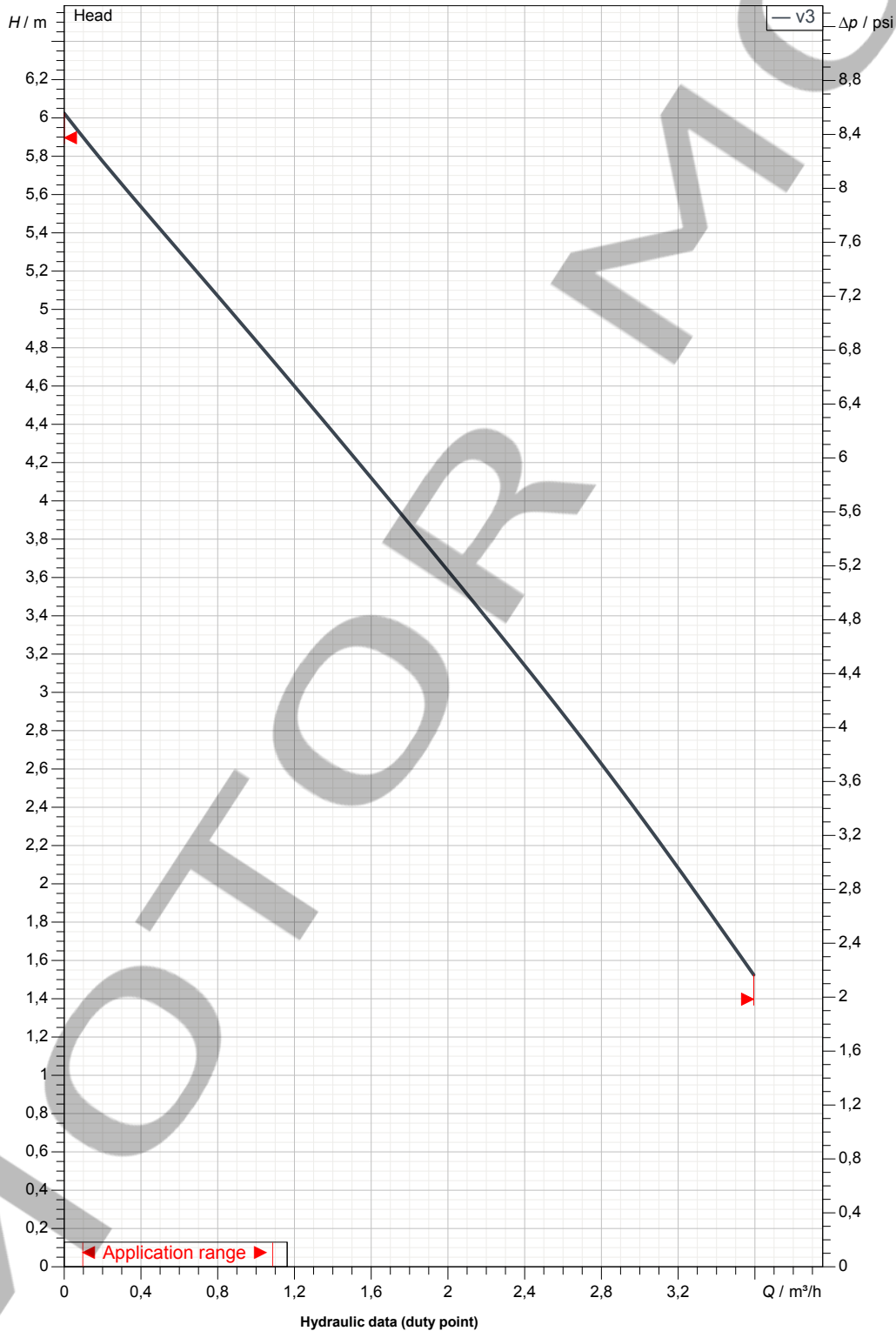
Receiver

From

Society
Reference
Address
Phone
Fax
E-mail

VB 65/120

Curve tolerance according to ISO 9906



Suction side :
DN 25
PN 10

Discharge side :
DN 25
PN 10

Flow :

Head :

Rated speed :
2310 1/min

MAIN_PROJECT_TITLE

BUSINESS_PROCESS_IT

OWNER_

ISSUE_DATE



DIMENSIONAL DRAWING

DAB PUMPS S.p.A.
Via Marco Polo, 14 - 35035 Mestrino (PD), Italy
Tel. +39 049 5125000 - Fax +39 049 5125950
www.dabpumps.com

30/07/2015

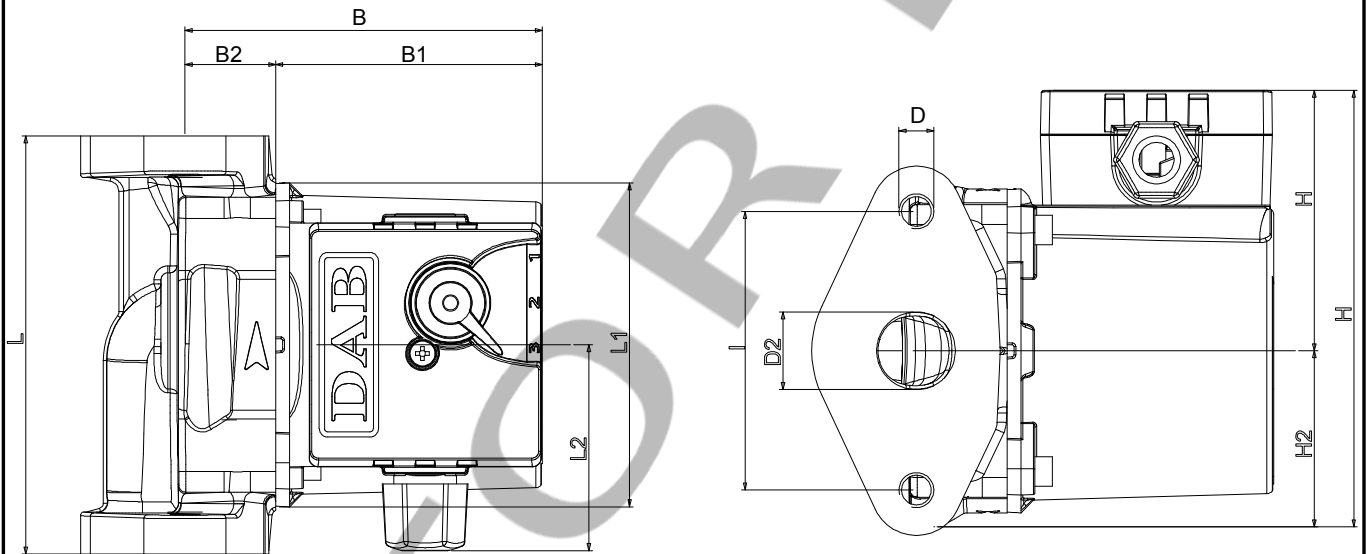
Page 3 / 3

Receiver

From

Society
Reference
Address
Phone
Fax
E-mail

VB 65/120



Dimensions in mm			Pump connection			
1	B	104				Suction DN 25 PN 10
2	B1	78				
3	B2	26				
4	H	124				Discharge DN 25 PN 10
5	H1	75				
6	H2	49				
7	L	120				
8	L1	98				
9	L2	60				

MAIN_PROJECT_TITLE	BUSINESS_PROCESS_ID	OWNER	ISSUE_DATE