

### Receiver

### From

Society  
Reference  
Address  
Phone  
Fax  
E-mail

#### Item n° :

60112966

#### Model :

VA 65/130 1/2"

#### Pump data

Pressure rating : 10 bar (1000 KPa)

Min. fluid temperature : -10 °C

Max. fluid temperature : 110 °C

#### Minimum suction head :

Temperature °C

Minimum suction head : m

#### Requested data

Flow :

Head :

Fluid (%) :

Fluid Temperature : 20 °C

Density : 998,3 kg/m<sup>3</sup>

Kinematic viscosity : 1,005 mm<sup>2</sup>/s

Vapor pressure :

#### Hydraulic data (duty point)

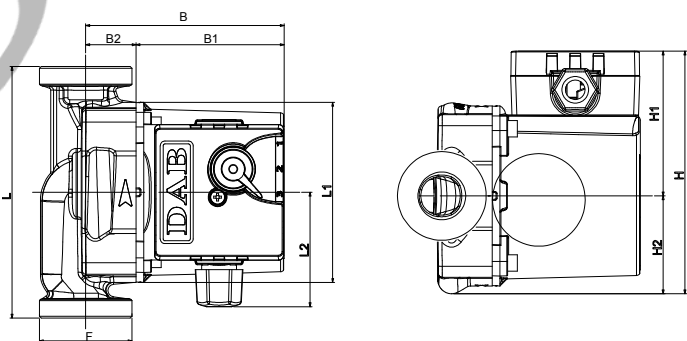
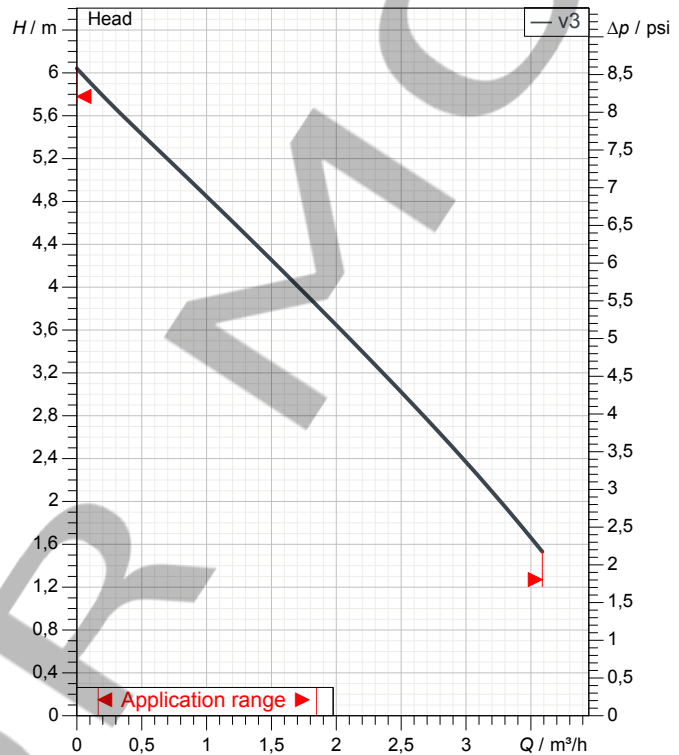
Flow :

Head :

#### Materials

Pump body	Cast iron
Impeller	Technopolymer
Motor shaft	Stainless steel
Air vent plug	Brass
Seal ring	Etylene propylene
Motor casing	Die cast aluminium
Stator jacket	Stainless steel

#### Curve tolerance according to ISO 9906



#### Motor data

Motor brand : DAB

Power input P1 : 0,078 kW

Rated speed : 2310 1/min

Rated voltage : 1~ 230 V 50 Hz

Nominal current : 0,34 A

Degree of protection : IP 44

#### Dimensions in mm

B	104	H1	75				
B1	78	H2	49				
B2	26	L	130				
F	1"	L1	98				
H	124	L2	60				

Weight : 2,5 kg

#### Pump connection

Suction side : 1" G / 10 bar (1000 KPa)

Discharge side : 1" G / 10 bar (1000 KPa)

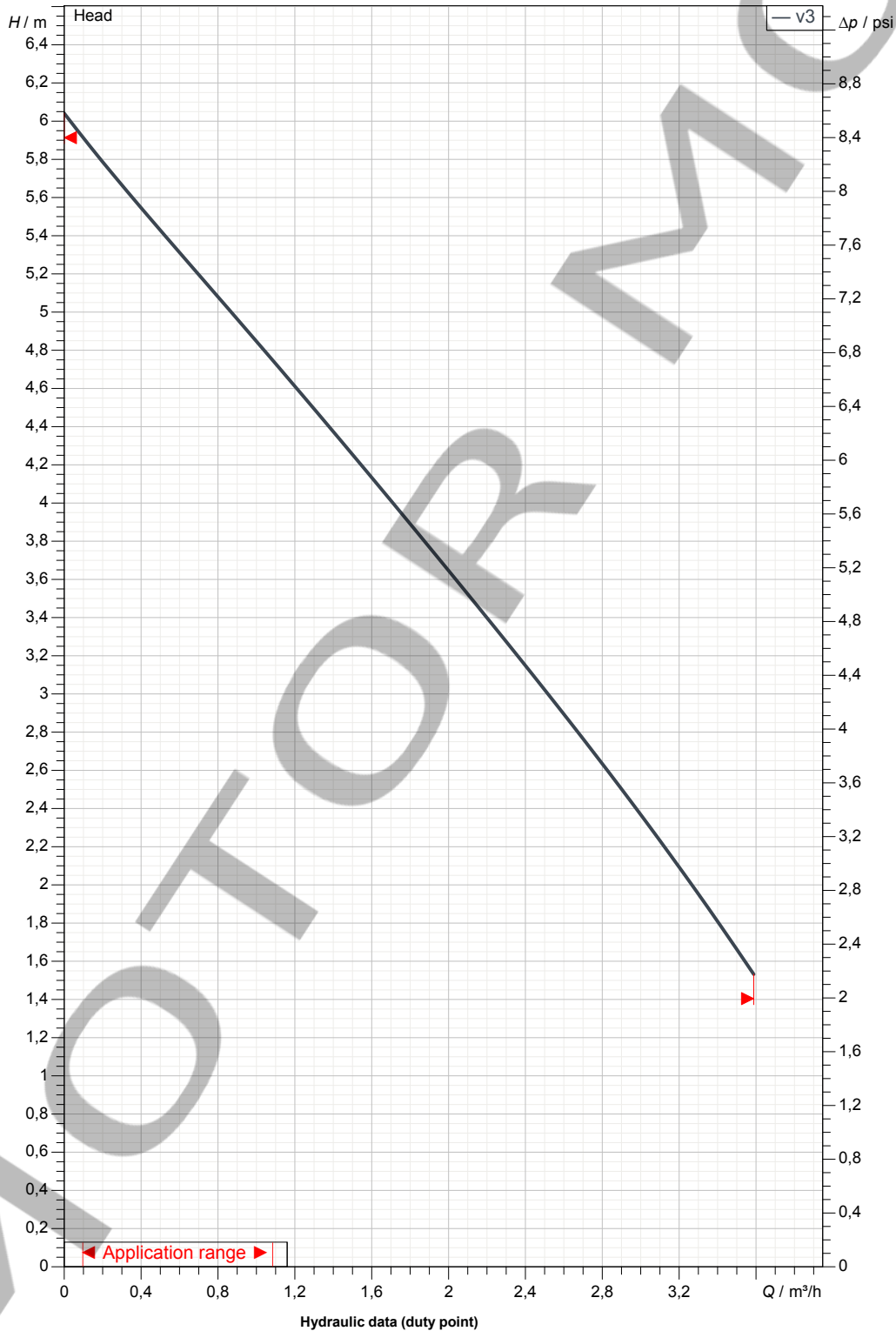
Receiver

From

Society  
Reference  
Address  
Phone  
Fax  
E-mail

VA 65/130 1/2"

Curve tolerance according to ISO 9906



Suction side :  
1" G  
10 bar (1000 KPa)

Discharge side :  
1" G  
10 bar (1000 KPa)

Flow :

Head :

Rated speed :  
2310 1/min

MAIN\_PROJECT\_TITLE

BUSINESS\_PROCESS\_IC

OWNER\_

ISSUE\_DATE



# DIMENSIONAL DRAWING

DAB PUMPS S.p.A.  
Via Marco Polo, 14 - 35035 Mestrino (PD), Italy  
Tel. +39 049 5125000 - Fax +39 049 5125950  
www.dabpumps.com

30/07/2015

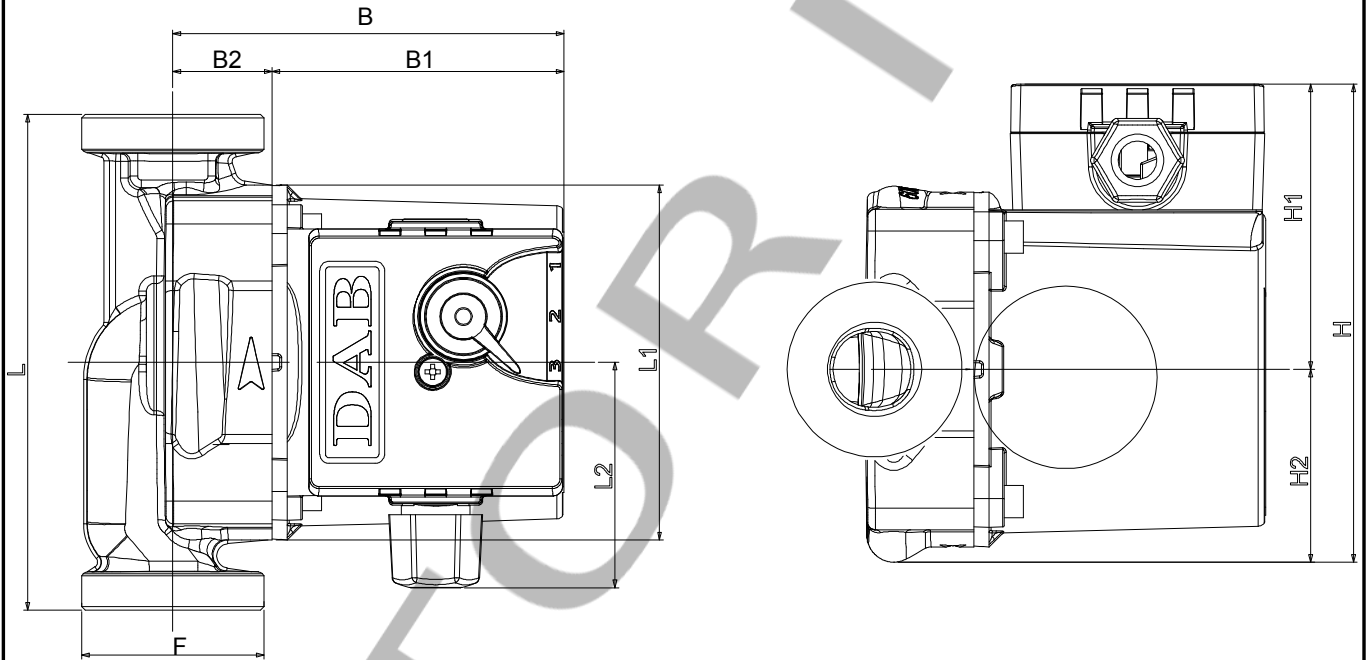
Page 3 / 3

Receiver

From

Society  
Reference  
Address  
Phone  
Fax  
E-mail

VA 65/130 1/2"



Dimensions in mm			Pump connection	
1	B	104		
2	B1	78		Suction
3	B2	26		1" G
4	F	1"		10 bar (1000 KPa)
5	H	124		
6	H1	75		Discharge
7	H2	49		1" G
8	L	130		10 bar (1000 KPa)
9	L1	98		
10	L2	60		

MAIN_PROJECT_TITLE	BUSINESS_PROCESS_ID	OWNER	ISSUE_DATE
--------------------	---------------------	-------	------------