

Receiver

From

Society
Reference
Address
Phone
Fax
E-mail

Item n° :

60112938

Model :

VA 55/130 1/2"

Pump data

Pressure rating : 10 bar (1000 KPa)
Min. fluid temperature : -10 °C
Max. fluid temperature : 110 °C

Minimum suction head :

Temperature : °C
Minimum suction head : m

Requested data

Flow :
Head :
Fluid (%) :
Fluid Temperature : 20 °C
Density : 998,3 kg/m³
Kinematic viscosity : 1,005 mm²/s
Vapor pressure :

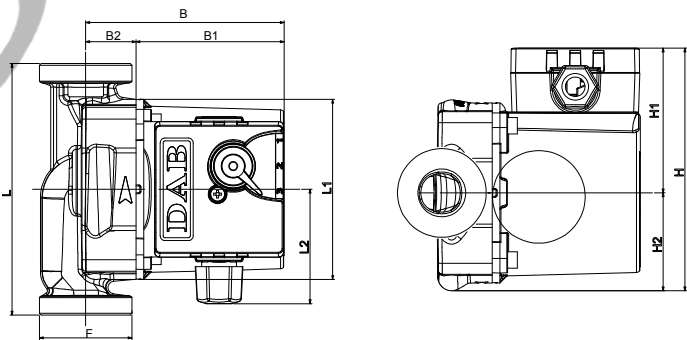
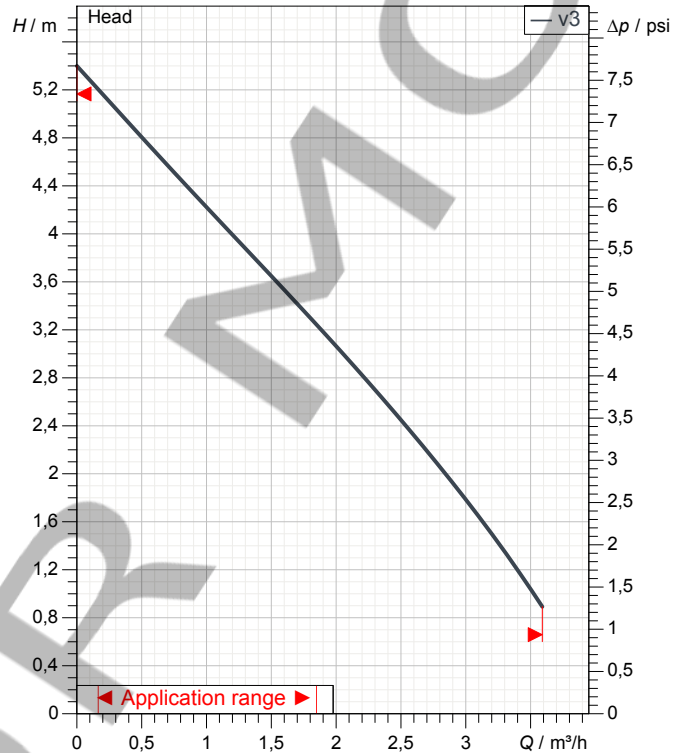
Hydraulic data (duty point)

Flow :
Head :

Materials

Pump body : Cast iron
Impeller : Technopolymer
Motor shaft : Stainless steel
Air vent plug : Brass
Seal ring : Etylene propylene
Motor casing : Die cast aluminium
Stator jacket : Stainless steel

Curve tolerance according to ISO 9906



Motor data

Motor brand : DAB
Power input P1 : 0,07 kW
Rated speed : 2400 1/min
Rated voltage : 1~ 230 V 50 Hz
Nominal current : 0,3 A
Degree of protection : IP 44

Dimensions in mm

B	104	H1	75				
B1	78	H2	49				
B2	26	L	130				
F	1"	L1	98				
H	124	L2	60				

Weight : 2,5 kg

Pump connection

Suction side : 1" G / 10 bar (1000 KPa)
Discharge side : 1" G / 10 bar (1000 KPa)



PERFORMANCE CURVES

30/07/2015

Page 2 / 3

DAB PUMPS S.p.A.
Via Marco Polo, 14 - 35035 Mestrino (PD), Italy
Tel. +39 049 5125000 - Fax +39 049 5125950
www.dabpumps.com

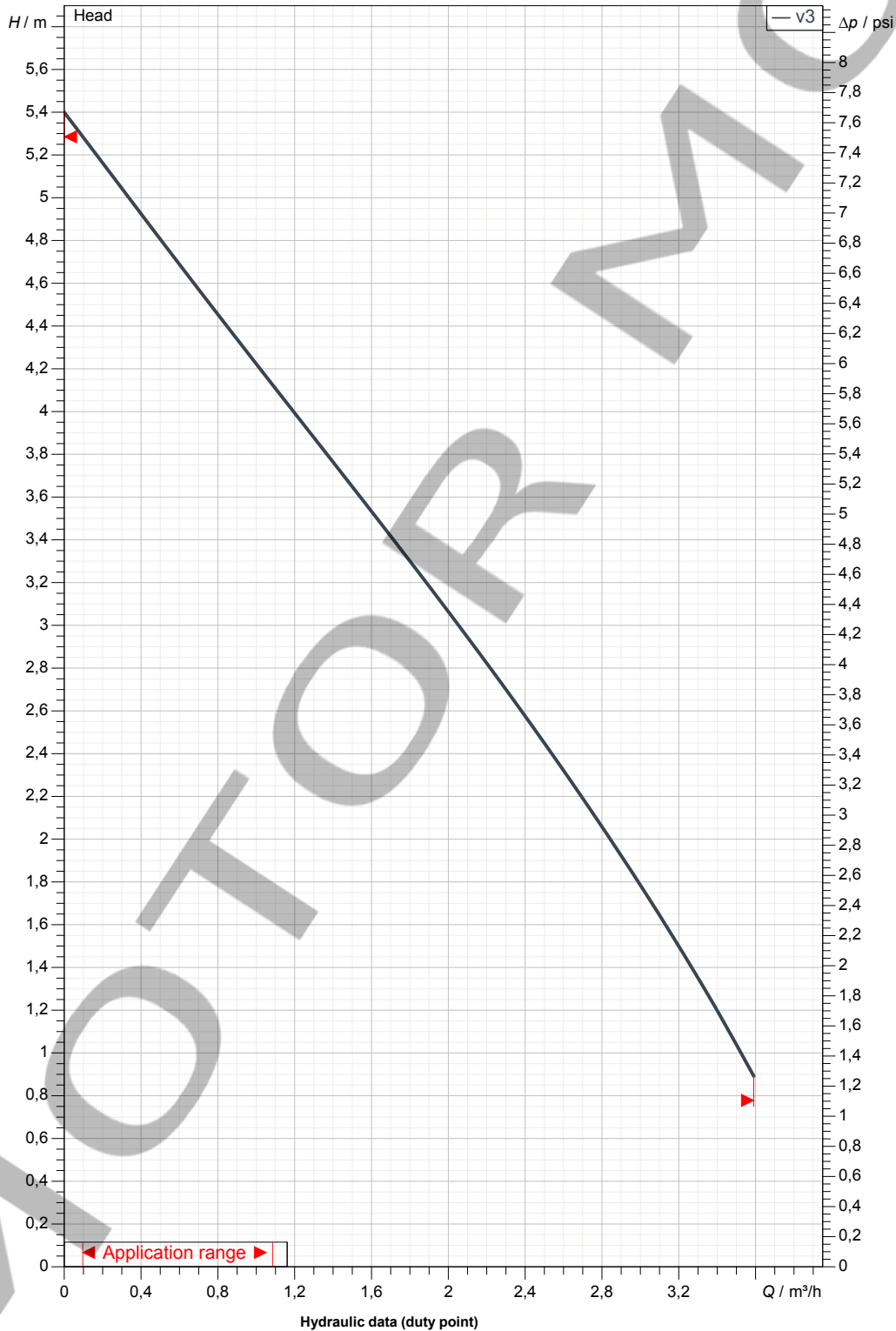
Receiver

From

Society
Reference
Address
Phone
Fax
E-mail

VA 55/130 1/2"

Curve tolerance according to ISO 9906



Suction side :
1" G
10 bar (1000 KPa)

Discharge side :
1" G
10 bar (1000 KPa)

Flow :

Head :

Rated speed :
2400 1/min

MAIN_PROJECT_TITLE

BUSINESS_PROCESS_IC

OWNER_

ISSUE_DATE



DIMENSIONAL DRAWING

DAB PUMPS S.p.A.
Via Marco Polo, 14 - 35035 Mestrino (PD), Italy
Tel. +39 049 5125000 - Fax +39 049 5125950
www.dabpumps.com

30/07/2015

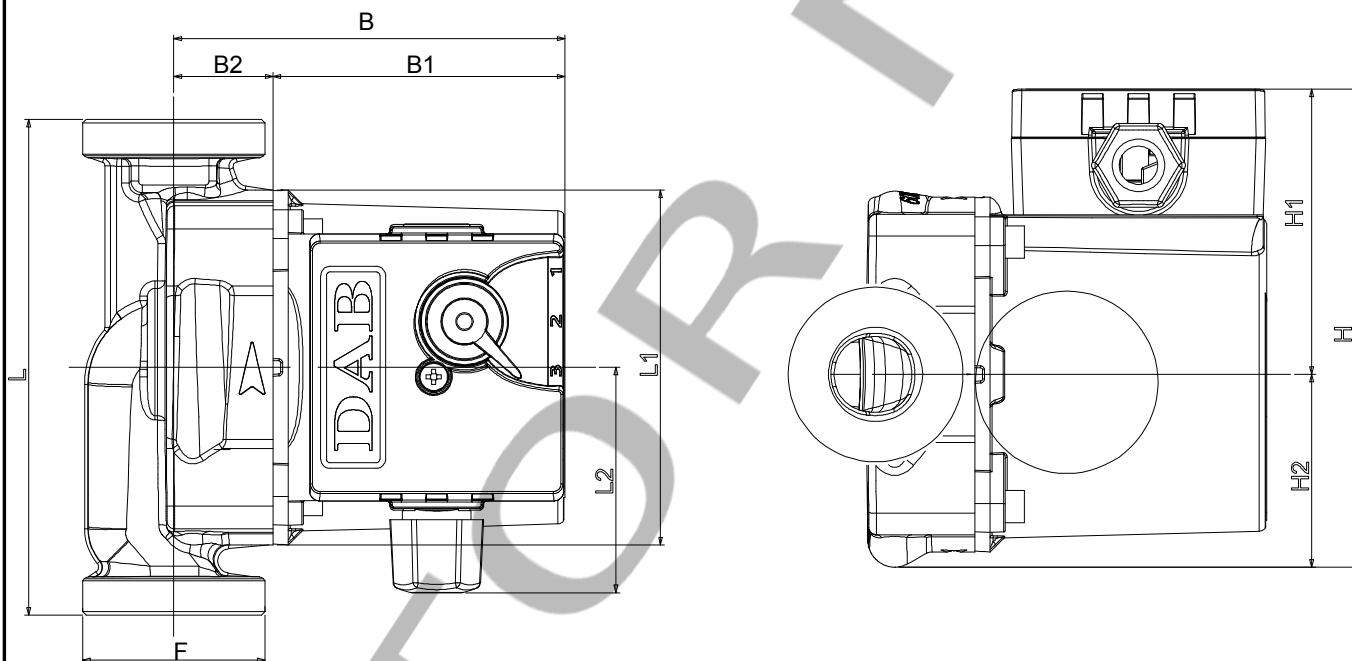
Page 3 / 3

Receiver

From

Society
Reference
Address
Phone
Fax
E-mail

VA 55/130 1/2"



Dimensions in mm

Pump connection

1	B	104
2	B1	78
3	B2	26
4	F	1"
5	H	124
6	H1	75
7	H2	49
8	L	130
9	L1	98
10	L2	60

Suction
1" G
10 bar (1000 KPa)

Discharge
1" G
10 bar (1000 KPa)

MAIN_PROJECT_TITLE

BUSINESS_PROCESS_ID

OWNER

ISSUE_DATE