

**Receiver**

**From**

Society  
Reference  
Address  
Phone  
Fax  
E-mail

**Item n° :**

60112896

**Model :**

VA 25/130

**Pump data**

Pressure rating : 10 bar (1000 KPa)

Min. fluid temperature : -10 °C

Max. fluid temperature : 110 °C

**Minimum suction head :**

Temperature °C

Minimum suction head : m

**Requested data**

Flow :

Head :

Fluid (%) :

Fluid Temperature : 20 °C

Density : 998,3 kg/m<sup>3</sup>

Kinematic viscosity : 1,005 mm<sup>2</sup>/s

Vapor pressure :

**Hydraulic data (duty point)**

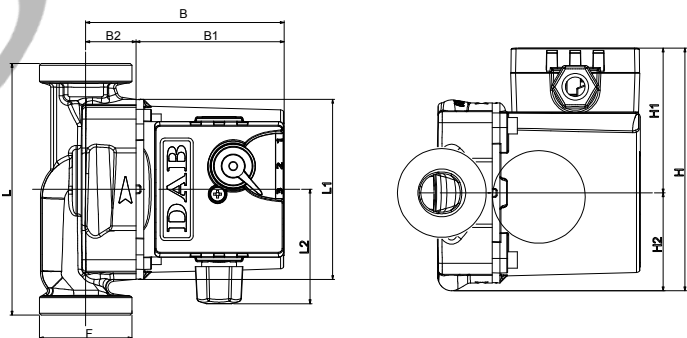
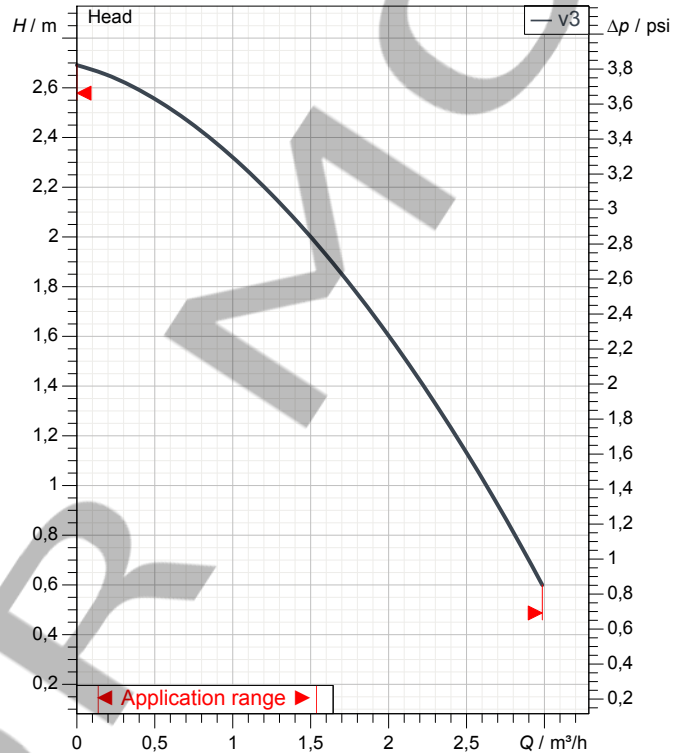
Flow :

Head :

**Materials**

Pump body	Cast iron
Impeller	Technopolymer
Motor shaft	Stainless steel
Air vent plug	Brass
Seal ring	Etylene propylene
Motor casing	Die cast aluminium
Stator jacket	Stainless steel

**Curve tolerance according to ISO 9906**



**Motor data**

Motor brand :

DAB

Power input P1 :

0,043 kW

Rated speed :

2655 1/min

Rated voltage :

1~ 230 V

50 Hz

Nominal current :

0,19 A

Degree of protection :

IP 44

**Dimensions in mm**

B	104	H1	75				
B1	78	H2	49				
B2	26	L	130				
F	1" 1/2	L1	98				
H	124	L2	60				

**Weight :** 2,5 kg

**Pump connection**

Suction side : 1" 1/2 G / 10 bar (1000 KPa)

Discharge side : 1" 1/2 G / 10 bar (1000 KPa)

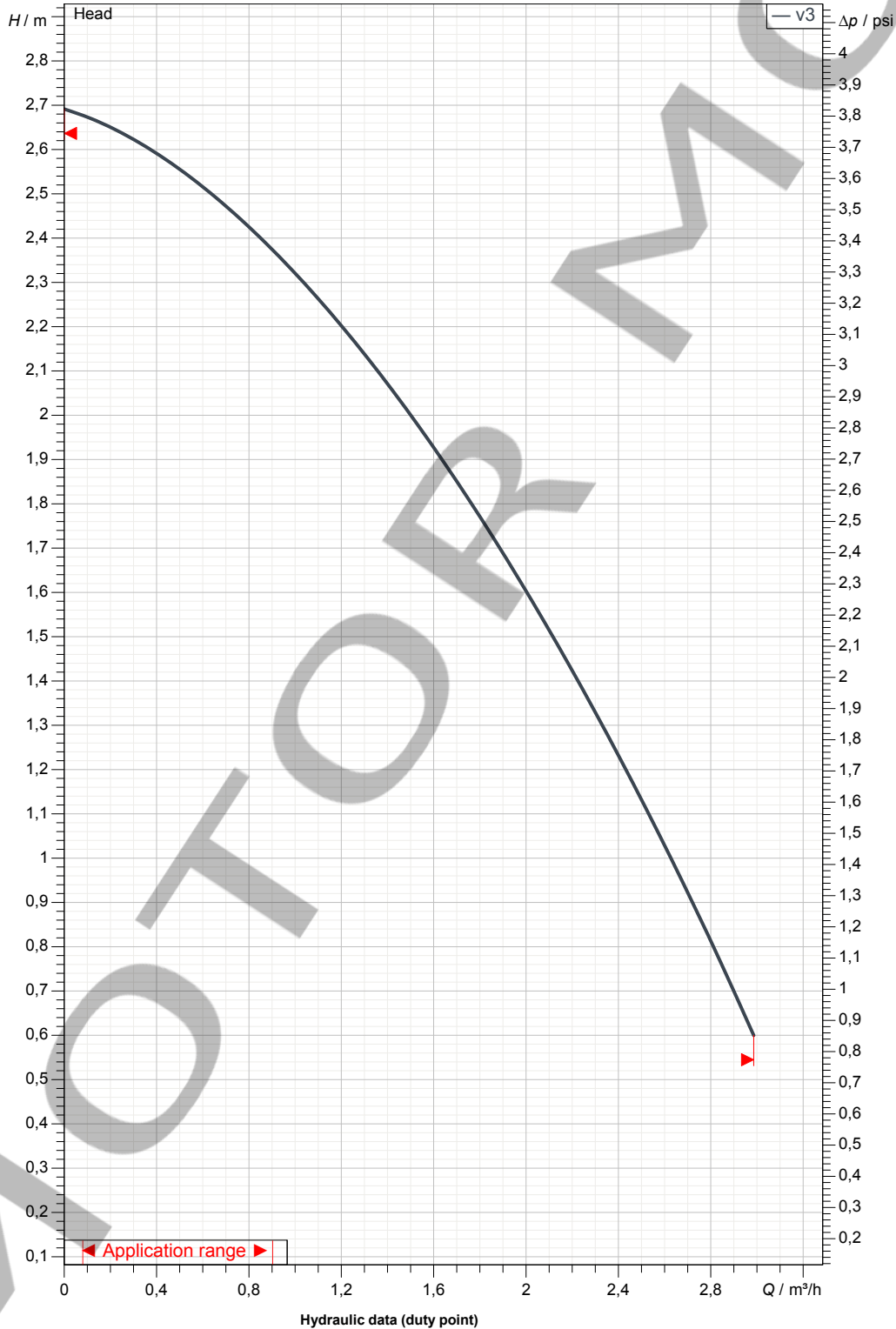
Receiver

From

Society  
Reference  
Address  
Phone  
Fax  
E-mail

VA 25/130

Curve tolerance according to ISO 9906



Suction side :  
1" 1/2 G  
10 bar (1000 KPa)

Discharge side :  
1" 1/2 G  
10 bar (1000 KPa)

Flow :

Head :

Rated speed :  
2655 1/min

MAIN\_PROJECT\_TITLE

BUSINESS\_PROCESS\_IC

OWNER\_

ISSUE\_DATE



# DIMENSIONAL DRAWING

DAB PUMPS S.p.A.  
Via Marco Polo, 14 - 35035 Mestrino (PD), Italy  
Tel. +39 049 5125000 - Fax +39 049 5125950  
www.dabpumps.com

30/07/2015

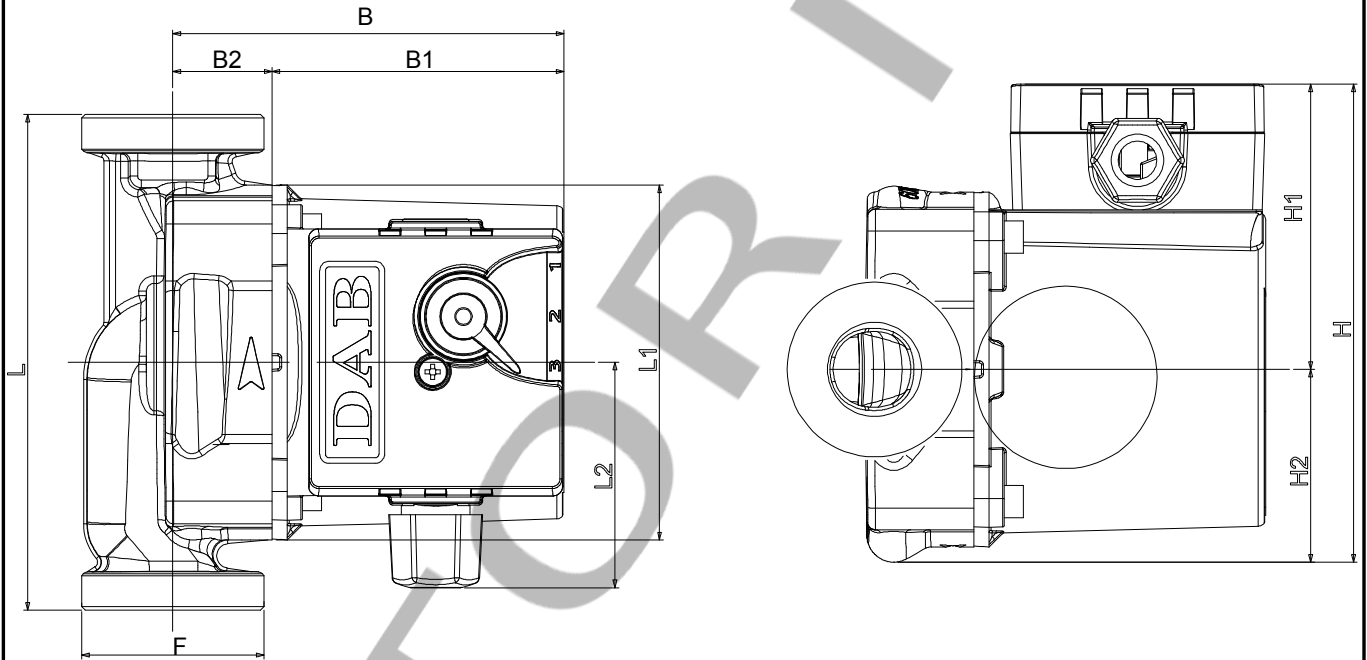
Page 3 / 3

Receiver

From

Society  
Reference  
Address  
Phone  
Fax  
E-mail

VA 25/130



**Dimensions in mm**

1	B	104
2	B1	78
3	B2	26
4	F	1" 1/2
5	H	124
6	H1	75
7	H2	49
8	L	130
9	L1	98
10	L2	60

**Pump connection**

Suction  
1" 1/2 G  
10 bar (1000 KPa)

Discharge  
1" 1/2 G  
10 bar (1000 KPa)

MAIN\_PROJECT\_TITLE

BUSINESS\_PROCESS\_ID

OWNER\_

ISSUE\_DATE