

**Receiver**

**From**

Society  
Reference  
Address  
Phone  
Fax  
E-mail

**Item n° :**

101110290

**Model :**

KP 60/6 T

**Pump data**

Impeller size

Pressure rating : 12 bar (1200 kPa)

Min. fluid temperature : -10 °C

Max. fluid temperature : 80 °C

Max. Ambient temperature : 40 °C

**Requested data**

Flow :

Head :

Fluid : Water

Fluid Temperature : 20 °C

Density : 998,3 kg/m<sup>3</sup>

Kinematic viscosity : 1,005 mm<sup>2</sup>/s

Vapor pressure :

**Hydraulic data (duty point)**

Flow :

Head :

**Materials**

Pump body Brass P Cu Zn40 Pb2 UNI 5705/65

Impeller Brass P Cu Zn40 Pb2 UNI 5705/65

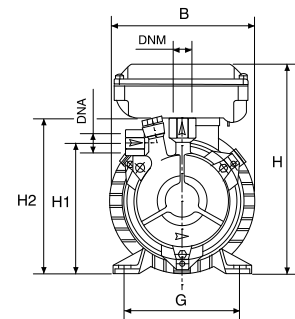
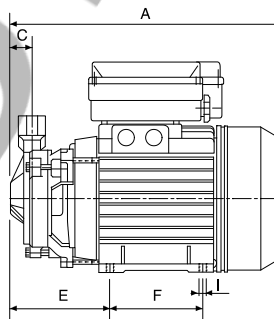
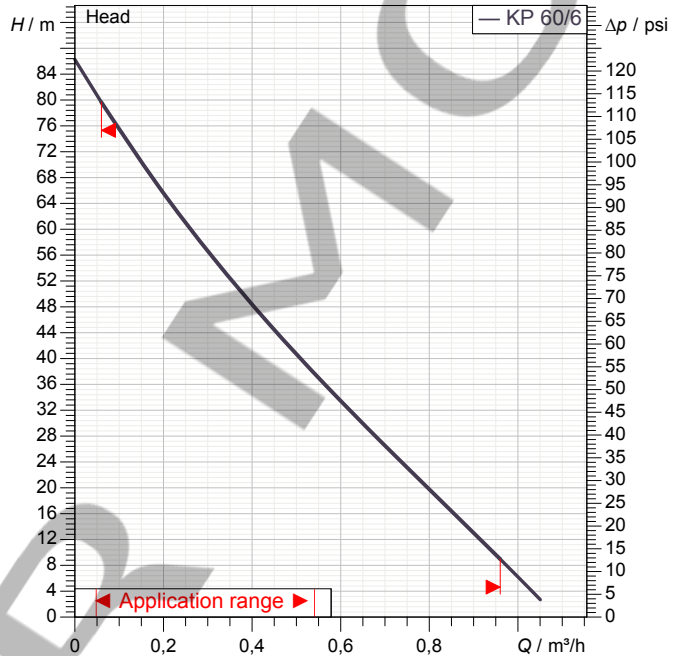
Motor shaft AISI 416 X12 CrS 13 UNI 6900/71

OR ring Viton

Mechanical seal Carbon/Ceramic

Support Brass P Cu Zn40 Pb2 UNI 5705/65

**Curve tolerance according to ISO 9906**



**Weight :** 7,9 kg

**Motor data**

Motor brand :

DAB

Nominal power P2 :

0,37 kW

Rated speed :

2800 1/min

Rated voltage :

3~ 230 V

50 Hz

Nominal current :

1,8 A

Degree of protection :

IP 55

**Dimensions in mm**

A	262
B	142
C	21
DNA	1/2" G
DNM	1/2" G
E	96
F	90
G	112
H	173
H1	127
H2	151
I Ø	7

**Pump connection**

Suction side : 1/2 " G / 12 bar (1200 kPa)

Discharge side : 1/2 " G / 12 bar (1200 kPa)



# PERFORMANCE CURVES

02/08/2015

Page 2 / 3

DAB PUMPS S.p.A.  
Via Marco Polo, 14 - 35035 Mestrino (PD), Italy  
Tel. +39 049 5125000 - Fax +39 049 5125950  
www.dabpumps.com

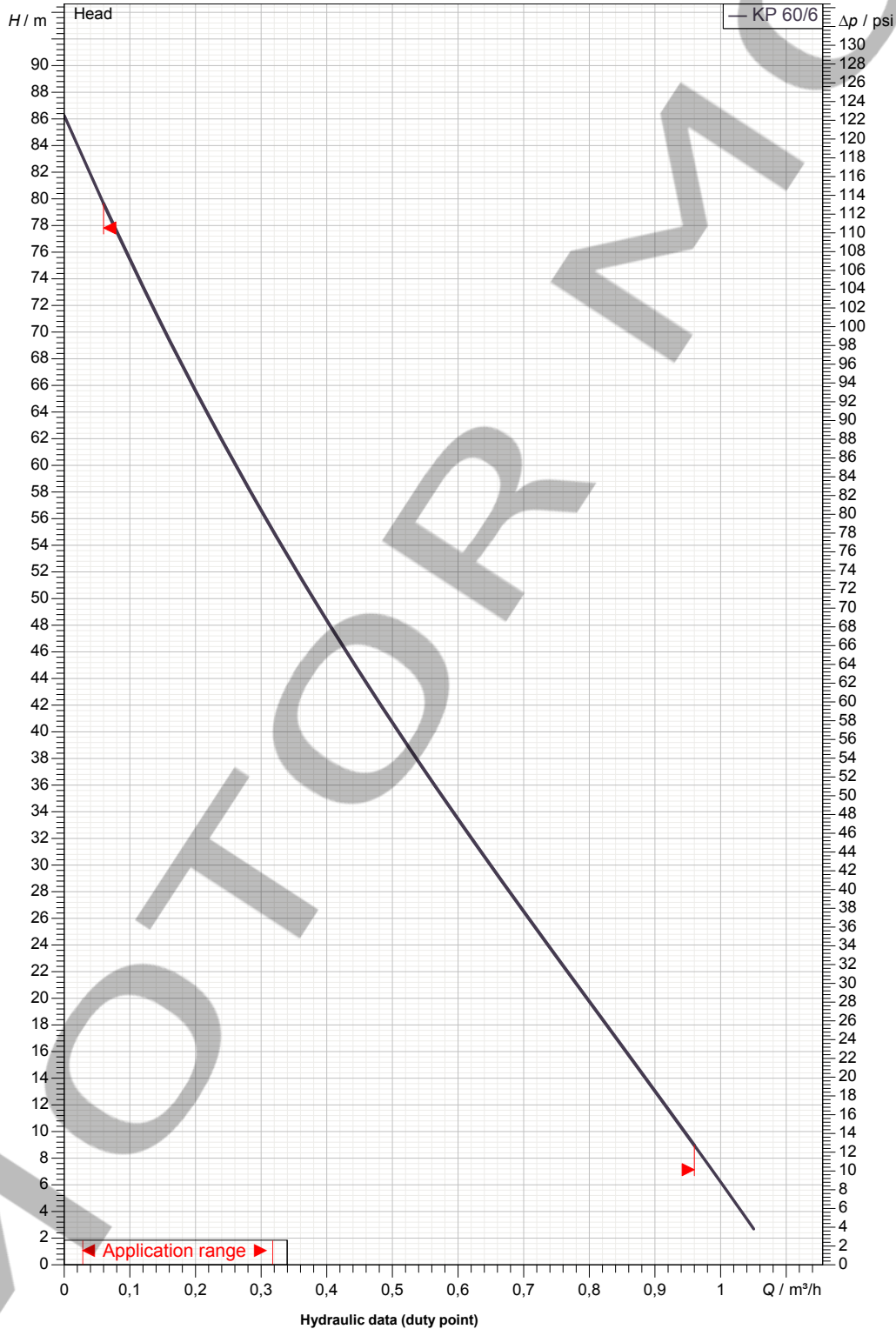
Receiver

From

Society  
Reference  
Address  
Phone  
Fax  
E-mail

## KP 60/6 T

Curve tolerance according to ISO 9906



Suction side :  
1/2" G  
12 bar (1200 kPa)

Discharge side :  
1/2" G  
12 bar (1200 kPa)

Flow :

Head :

Rated speed :  
2800 1/min

MAIN\_PROJECT\_TITLE

BUSINESS\_PROCESS\_IC

OWNER\_

ISSUE\_DATE



# DIMENSIONAL DRAWING

02/08/2015

Page 3 / 3

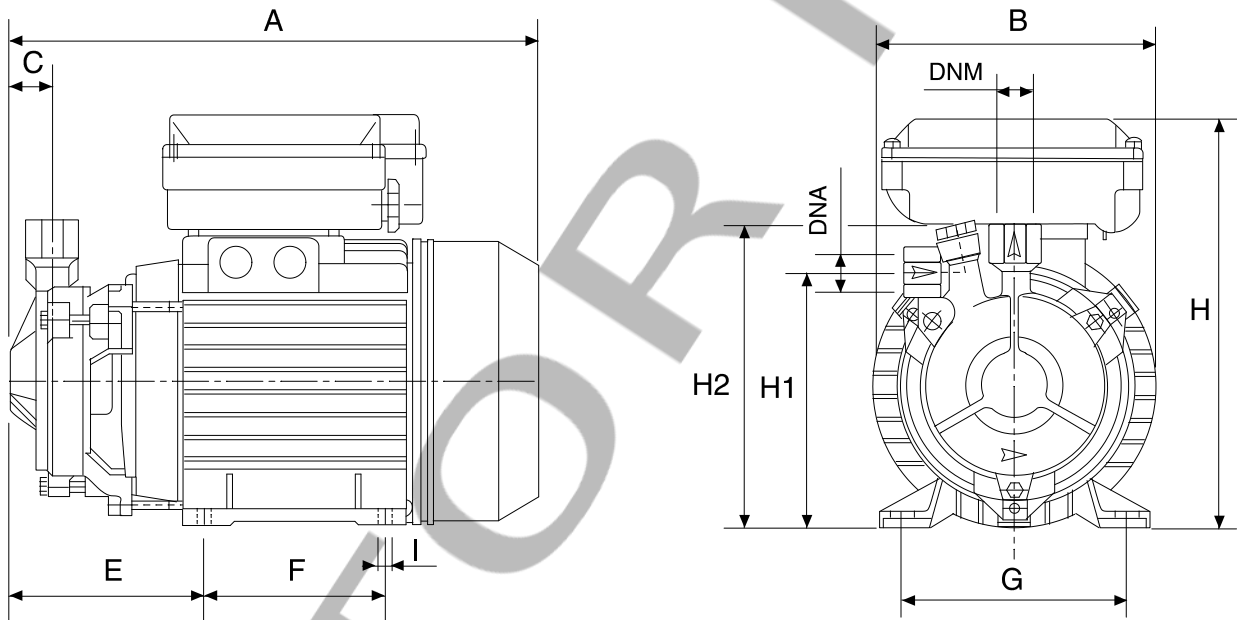
DAB PUMPS S.p.A.  
Via Marco Polo, 14 - 35035 Mestrino (PD), Italy  
Tel. +39 049 5125000 - Fax +39 049 5125950  
www.dabpumps.com

Receiver

From

Society  
Reference  
Address  
Phone  
Fax  
E-mail

## KP 60/6 T



**Dimensions in mm**

1	A	262
2	B	142
3	C	21
4	DNA	1/2" G
5	DNM	1/2" G
6	E	96
7	F	90
8	G	112
9	H	173
10	H1	127
11	H2	151
12	I Ø	7

**Pump connection**

Suction  
1/2" G  
12 bar (1200 kPa)

Discharge  
1/2" G  
12 bar (1200 kPa)

MAIN\_PROJECT\_TITLE

BUSINESS\_PROCESS\_ID

OWNER

ISSUE\_DATE