

Receiver

From

Society
Reference
Address
Phone
Fax
E-mail

Item n° :

101110330

Model :

KP 60/12 T

Pump data

Impeller size

Pressure rating : 12 bar (1200 kPa)

Min. fluid temperature : -10 °C

Max. fluid temperature : 80 °C

Max. Ambient temperature : 40 °C

Requested data

Flow :

Head :

Fluid : Water

Fluid Temperature : 20 °C

Density : 998,3 kg/m³

Kinematic viscosity : 1,005 mm²/s

Vapor pressure :

Hydraulic data (duty point)

Flow :

Head :

Materials

Pump body Brass P Cu Zn40 Pb2 UNI 5705/65

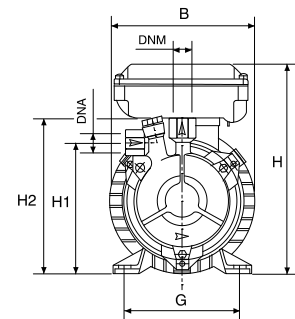
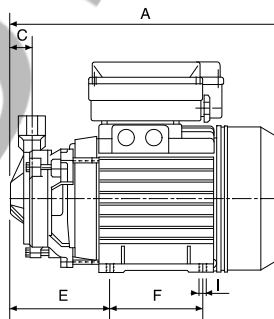
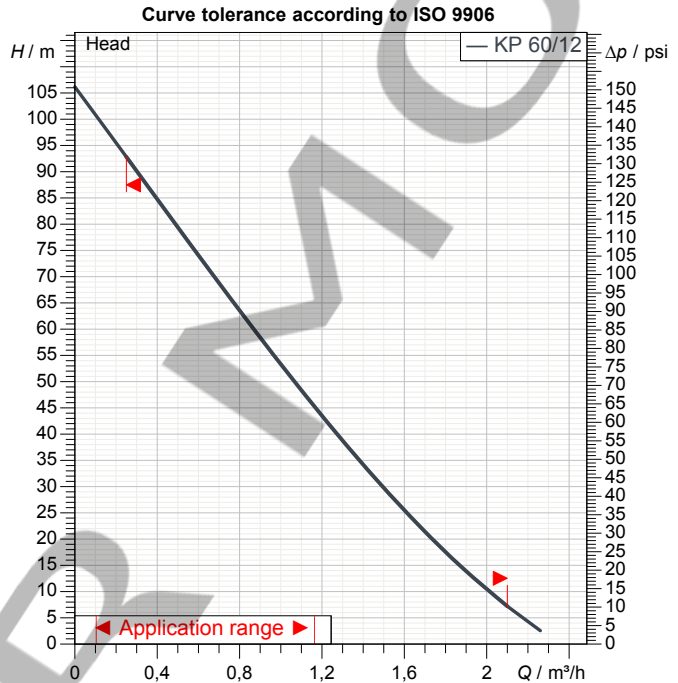
Impeller Brass P Cu Zn40 Pb2 UNI 5705/65

Motor shaft AISI 416 X12 CrS 13 UNI 6900/71

OR ring Viton

Support Brass P Cu Zn40 Pb2 UNI 5705/65

Mechanical seal Carbon/Ceramic



Weight : 10 kg

Motor data

Motor brand :

DAB

Nominal power P2 :

0,75 kW

Rated speed :

2800 1/min

Rated voltage :

3~ 230 V 50 Hz

Nominal current :

3,8 A

Degree of protection :

IP 55

Dimensions in mm

A	262
B	142
C	20
DNA	3/4" G
DNM	3/4" G
E	96
F	90
G	112
H	173
H1	126
H2	161
I	7

Pump connection

Suction side : 3/4 " G / 12 bar (1200 kPa)

Discharge side : 3/4 " G / 12 bar (1200 kPa)

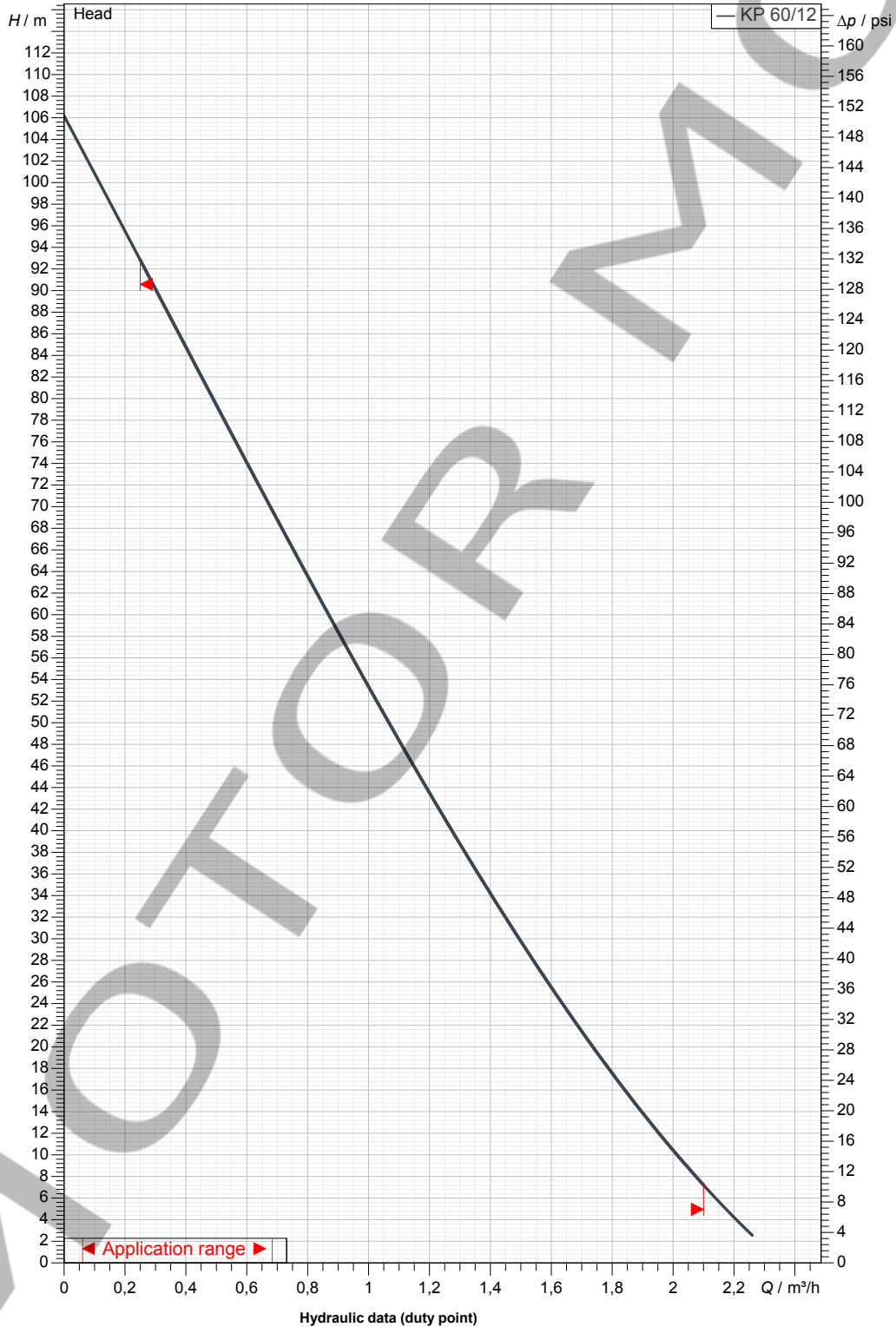
Receiver

From

Society
Reference
Address
Phone
Fax
E-mail

KP 60/12 T

Curve tolerance according to ISO 9906



Suction side :
3/4 " G
12 bar (1200 kPa)

Discharge side :
3/4 " G
12 bar (1200 kPa)

Flow :

Head :

Rated speed :
2800 1/min

MAIN_PROJECT_TITLE

BUSINESS_PROCESS_IC

OWNER_

ISSUE_DATE



DIMENSIONAL DRAWING

02/08/2015

Page 3 / 3

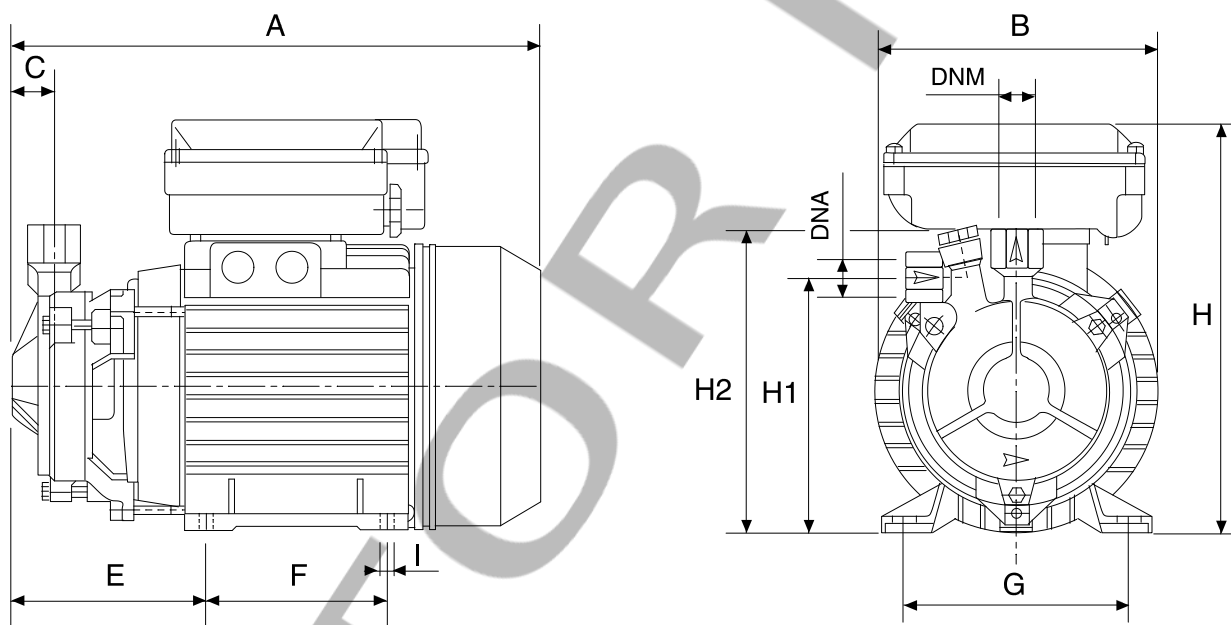
DAB PUMPS S.p.A.
Via Marco Polo, 14 - 35035 Mestrino (PD), Italy
Tel. +39 049 5125000 - Fax +39 049 5125950
www.dabpumps.com

Receiver

From

Society
Reference
Address
Phone
Fax
E-mail

KP 60/12 T



Dimensions in mm

Pump connection

1	A	262
2	B	142
3	C	20
4	DNA	3/4" G
5	DNM	3/4" G
6	E	96
7	F	90
8	G	112
9	H	173
10	H1	126
11	H2	161
12	I	7

Suction
3/4 " G
12 bar (1200 kPa)

Discharge
3/4 " G
12 bar (1200 kPa)

MAIN_PROJECT_TITLE

BUSINESS_PROCESS_ID

OWNER

ISSUE_DATE