

Receiver

From

Society
Reference
Address
Phone
Fax
E-mail

Item n° :

101110050

Model :

KP 38/18 T

Pump data

Impeller size

Pressure rating : 10 bar (1000 kPa)

Min. fluid temperature : -10 °C

Max. fluid temperature : 50 °C

Max. Ambient temperature : 40 °C

Requested data

Flow :

Head :

Fluid : Water

Fluid Temperature : 20 °C

Density : 998,3 kg/m³

Kinematic viscosity : 1,005 mm²/s

Vapor pressure :

Hydraulic data (duty point)

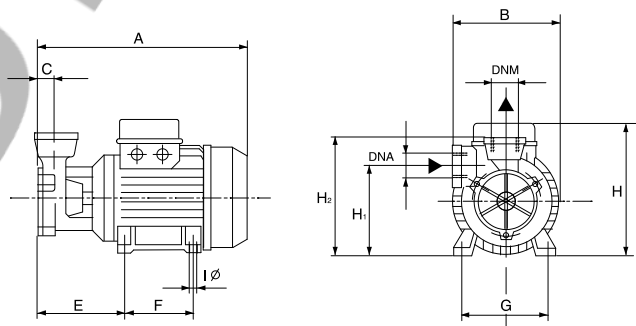
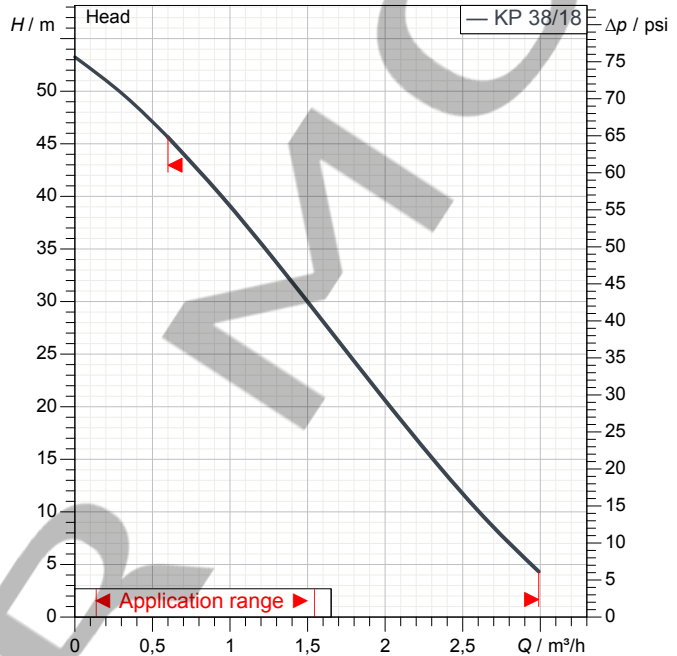
Flow :

Head :

Materials

| | |
|-----------------|---------------------------------|
| Pump body | Cast iron 250 UNI ISO 185 |
| Impeller | Brass P Cu Zn40 Pb2 UNI 5705/65 |
| Motor shaft | AISI 416 X12 CrS 13 UNI 6900/71 |
| OR ring | NBR |
| Mechanical seal | Carbon/Ceramic |
| Cover | Brass P Cu Zn40 Pb2 UNI 5705/65 |

Curve tolerance according to ISO 9906



Weight : 7,5 kg

Motor data

| | | |
|------------------------|------------|-------|
| Motor brand : | DAB | |
| Nominal power P2 : | 0,6 kW | |
| Rated speed : | 2800 1/min | |
| Rated voltage : | 3~ 230 V | 50 Hz |
| Nominal current : | 2,9 A | |
| Degree of protection : | IP 44 | |

Dimensions in mm

| | |
|-----|------|
| A | 255 |
| B | 130 |
| C | 26 |
| DNA | 1" G |
| DNM | 1" G |
| E | 106 |
| F | 80 |
| G | 100 |
| H | 186 |
| H1 | 108 |
| H2 | 153 |
| I Ø | 7 |

Pump connection

| | |
|------------------|--------------------------|
| Suction side : | 1" G / 10 bar (1000 kPa) |
| Discharge side : | 1" G / 10 bar (1000 kPa) |

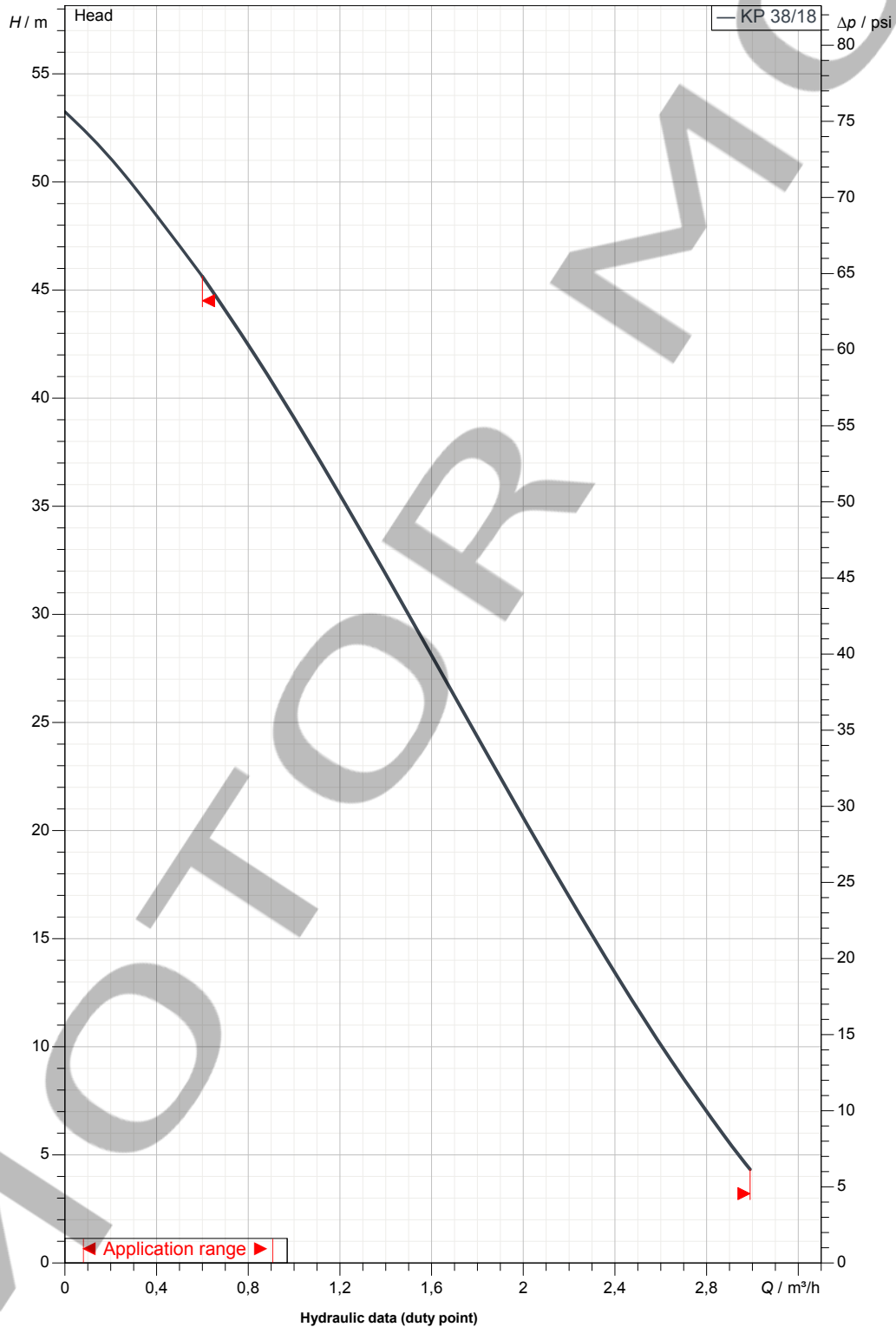
Receiver

From

Society
Reference
Address
Phone
Fax
E-mail

KP 38/18 T

Curve tolerance according to ISO 9906



Suction side :
1" G
10 bar (1000 kPa)

Discharge side :
1" G
10 bar (1000 kPa)

Flow :

Head :

Rated speed :
2800 1/min

MAIN_PROJECT_TITLE

BUSINESS_PROCESS_ID

OWNER

ISSUE_DATE



DIMENSIONAL DRAWING

02/08/2015

Page 3 / 3

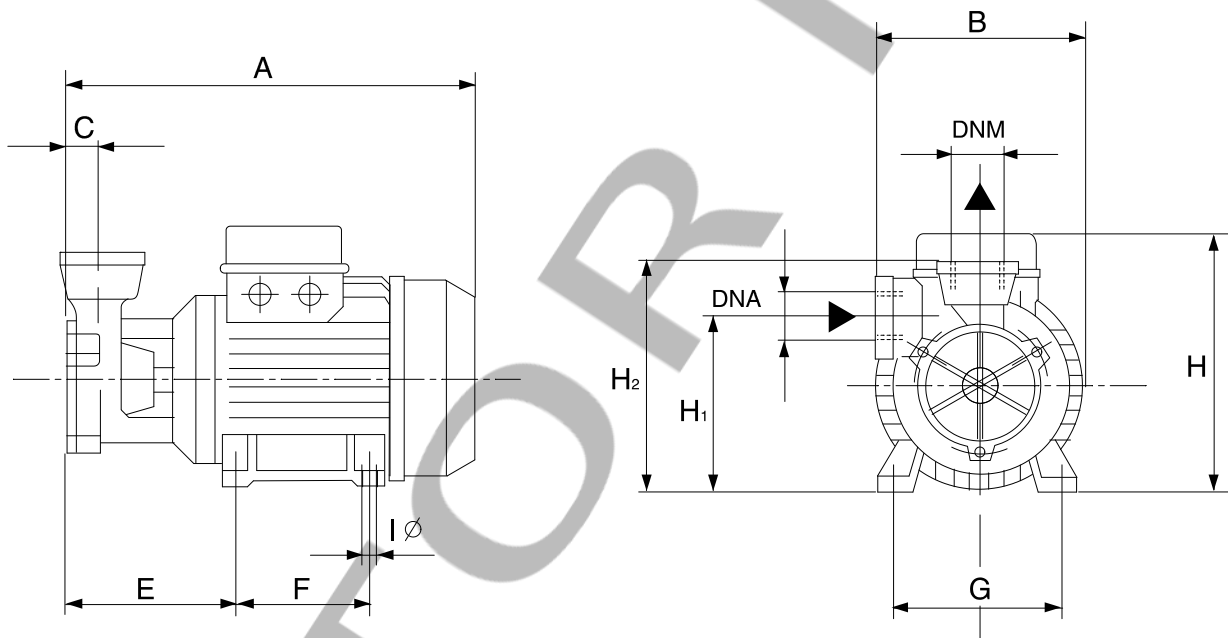
DAB PUMPS S.p.A.
Via Marco Polo, 14 - 35035 Mestrino (PD), Italy
Tel. +39 049 5125000 - Fax +39 049 5125950
www.dabpumps.com

Receiver

From

Society
Reference
Address
Phone
Fax
E-mail

KP 38/18 T



Dimensions in mm

Pump connection

| | | |
|----|----------------|------|
| 1 | A | 255 |
| 2 | B | 130 |
| 3 | C | 26 |
| 4 | DNA | 1" G |
| 5 | DNM | 1" G |
| 6 | E | 106 |
| 7 | F | 80 |
| 8 | G | 100 |
| 9 | H | 186 |
| 10 | H ₁ | 108 |
| 11 | H ₂ | 153 |
| 12 | I Ø | 7 |

Suction
1" G
10 bar (1000 kPa)

Discharge
1" G
10 bar (1000 kPa)

MAIN_PROJECT_TITLE

BUSINESS_PROCESS_ID

OWNER_

ISSUE_DATE