

Receiver

From

Society
Reference
Address
Phone
Fax
E-mail

Item n° :

102122030

Model :

K 55/50 M-P

Pump data

MEI ≥

Pressure rating : 8 bar (800 kPa)

Min. fluid temperature : -15 °C

Max. fluid temperature : 110 °C

Max. Ambient temperature : 40 °C

Requested data

Flow :

Head :

Fluid : Water

Fluid Temperature : 20 °C

Density : 998,3 kg/m³

Kinematic viscosity : 1,005 mm²/s

Vapor pressure :

Hydraulic data (duty point)

Flow :

Head :

NPSH :

Shaft power P2 :

Efficiency :

Materials

Pump body Cast iron 200 UNI ISO 185

Support Cast iron 200 UNI ISO 185

Impeller Technopolymer B

Mechanical seal Carbon/Ceramic

OR ring NBR Rubber

Shaft with rotor AISI 303 X10 CrNiS 1809 UNI 6900/71

Intermediate cover Cast iron 200 UNI ISO 185

Motor data

Motor brand : DAB

Nominal power P2 : 1,85 kW

Rated speed : 2850 1/min

Rated voltage : 1~ 220-240 V 50 Hz

Nominal current : 12,8 A

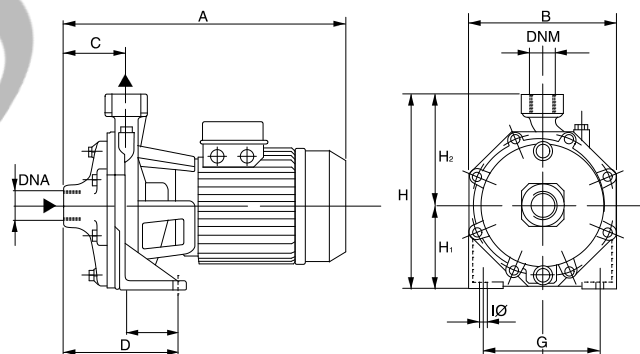
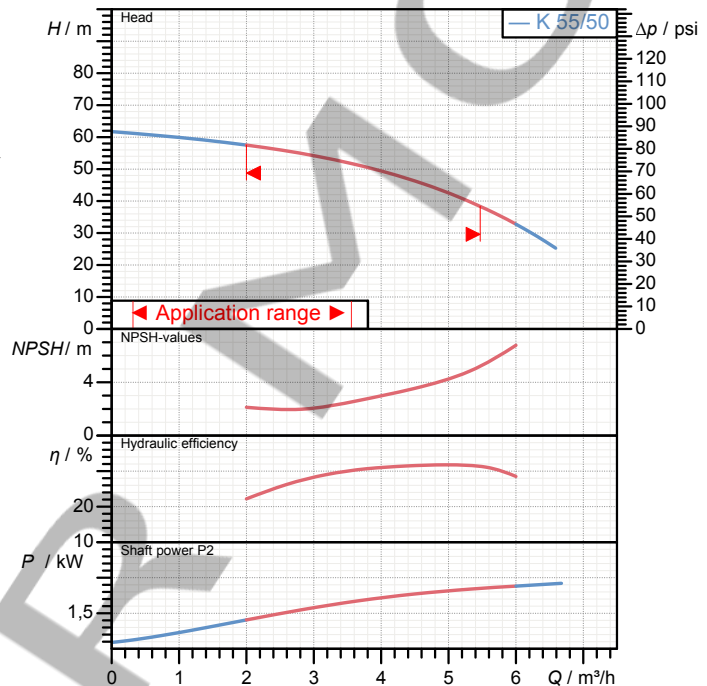
Degree of protection : IP 44

Pump connection

Suction side : 1" 1/4 G / 8 bar (800 kPa)

Discharge side : 1" G / 8 bar (800 kPa)

Curve tolerance according to ISO 9906



Weight : 27,2 kg

Dimensions in mm

A	370
B	210
C	75
D	144
DNA	1"1/4 G
DNM	1" G
E	69
F	15
G	165
H	268
H1	118
H2	150
IØ	11,5

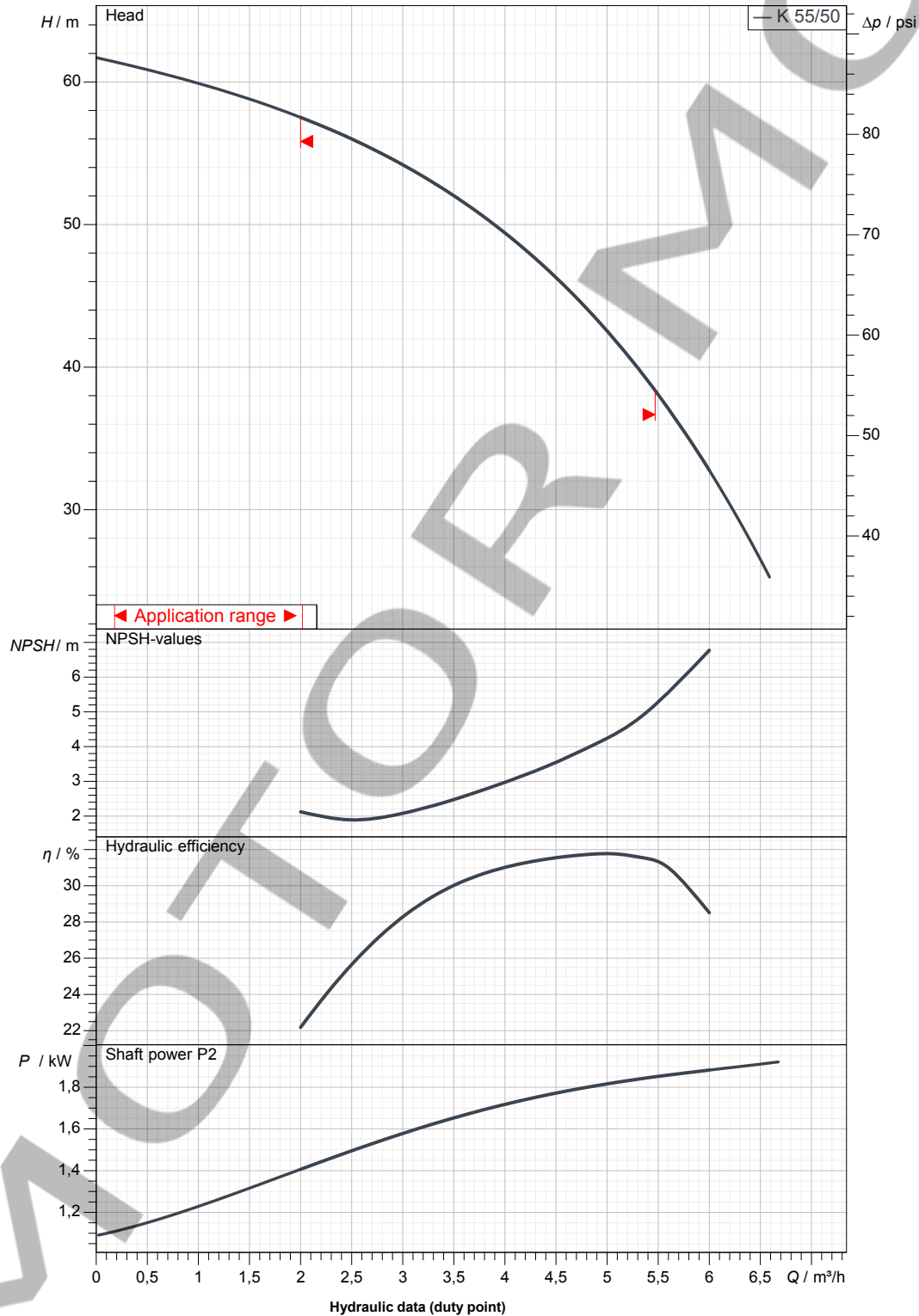
Receiver

From

Society
Reference
Address
Phone
Fax
E-mail

K 55/50 M-P

Curve tolerance according to ISO 9906



Suction side :
1" 1/4 G
8 bar (800 kPa)

Discharge side :
1" G
8 bar (800 kPa)

Flow :

Head :

Rated speed :
2850 1/min

MAIN_PROJECT_TITLE

BUSINESS_PROCESS_IC

OWNER_

ISSUE_DATE



DIMENSIONAL DRAWING

02/08/2015

Page 3 / 3

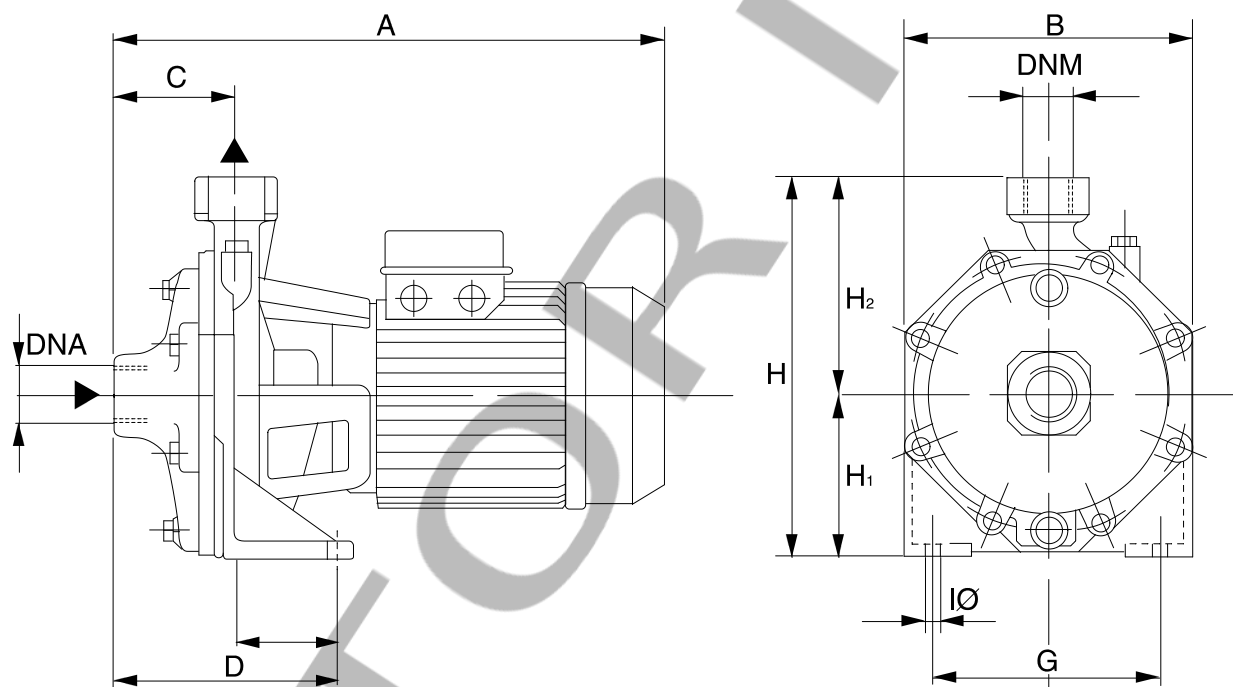
DAB PUMPS S.p.A.
Via Marco Polo, 14 - 35035 Mestrino (PD), Italy
Tel. +39 049 5125000 - Fax +39 049 5125950
www.dabpumps.com

Receiver

From

Society
Reference
Address
Phone
Fax
E-mail

K 55/50 M-P



Dimensions in mm

Pump connection

1	A	370	Ø	11,5		
2	B	210				Suction
3	C	75				1" 1/4 G
4	D	144				8 bar (800 kPa)
5	DNA	1"1/4 G				
6	DNM	1" G				Discharge
7	E	69				1" G
8	F	15				8 bar (800 kPa)
9	G	165				
10	H	268				
11	H1	118				
12	H2	150				

MAIN_PROJECT_TITLE

BUSINESS_PROCESS_ID

OWNER

ISSUE_DATE