

Receiver

From

Society
Reference
Address
Phone
Fax
E-mail

Item n° :

102121032

Model :

K 40/100 M

Pump data

MEI ≥

Pressure rating : 6 bar (600 kPa)

Min. fluid temperature : -10 °C

Max. fluid temperature : 50 °C

Max. Ambient temperature : 40 °C

Requested data

Flow :

Head :

Fluid : Water

Fluid Temperature : 20 °C

Density : 998,3 kg/m³

Kinematic viscosity : 1,005 mm²/s

Vapor pressure :

Hydraulic data (duty point)

Flow :

Head :

NPSH :

Shaft power P2 :

Efficiency :

Materials

Pump body Cast iron 200 UNI ISO 185

Support Cast iron 200 UNI ISO 185

Impeller Technopolymer A

Mechanical seal Carbon/Ceramic

OR ring NBR Rubber

Shaft with rotor AISI 303 X10 CrNiS 1809 UNI 6900/71

Intermediate cover Cast iron 200 UNI ISO 185

Motor data

Motor brand : DAB

Nominal power P2 : 1,85 kW

Rated speed : 2850 1/min

Rated voltage : 1~ 220-240 V 50 Hz

Nominal current : 9 A

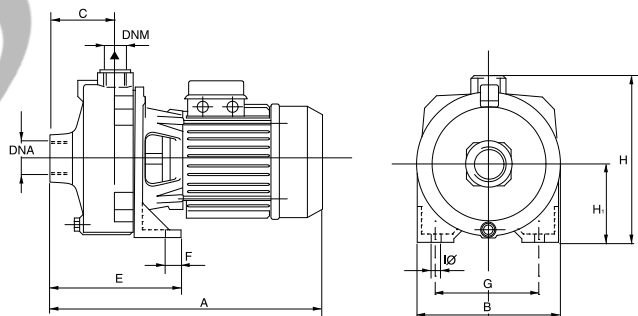
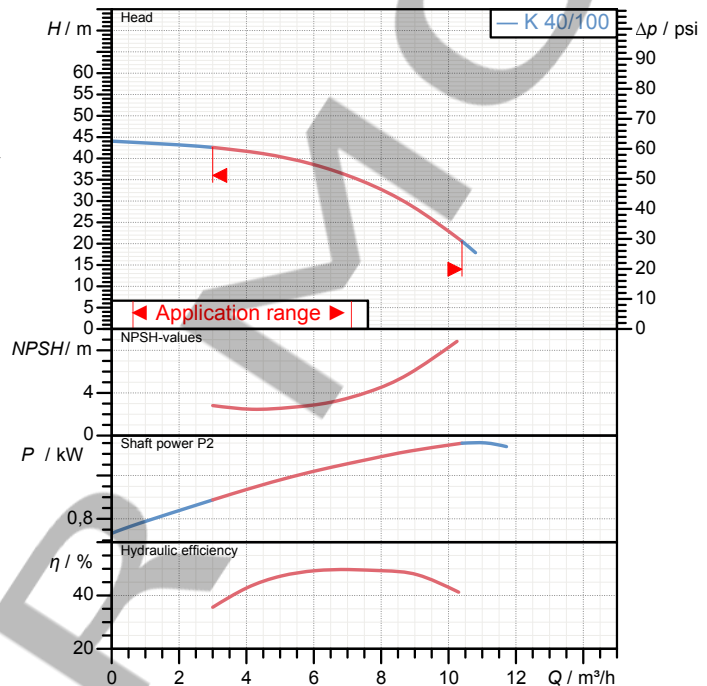
Degree of protection : IP 44

Pump connection

Suction side : 1" 1/2 G / 6 bar (600 kPa)

Discharge side : 1" G / 6 bar (600 kPa)

Curve tolerance according to ISO 9906



Weight : 25,9 kg

Dimensions in mm

A	461
B	205
C	88
DNA	1" 1/2 G
DNM	1" G
E	179
F	20
G	145
H	233
H1	108
Ø	11

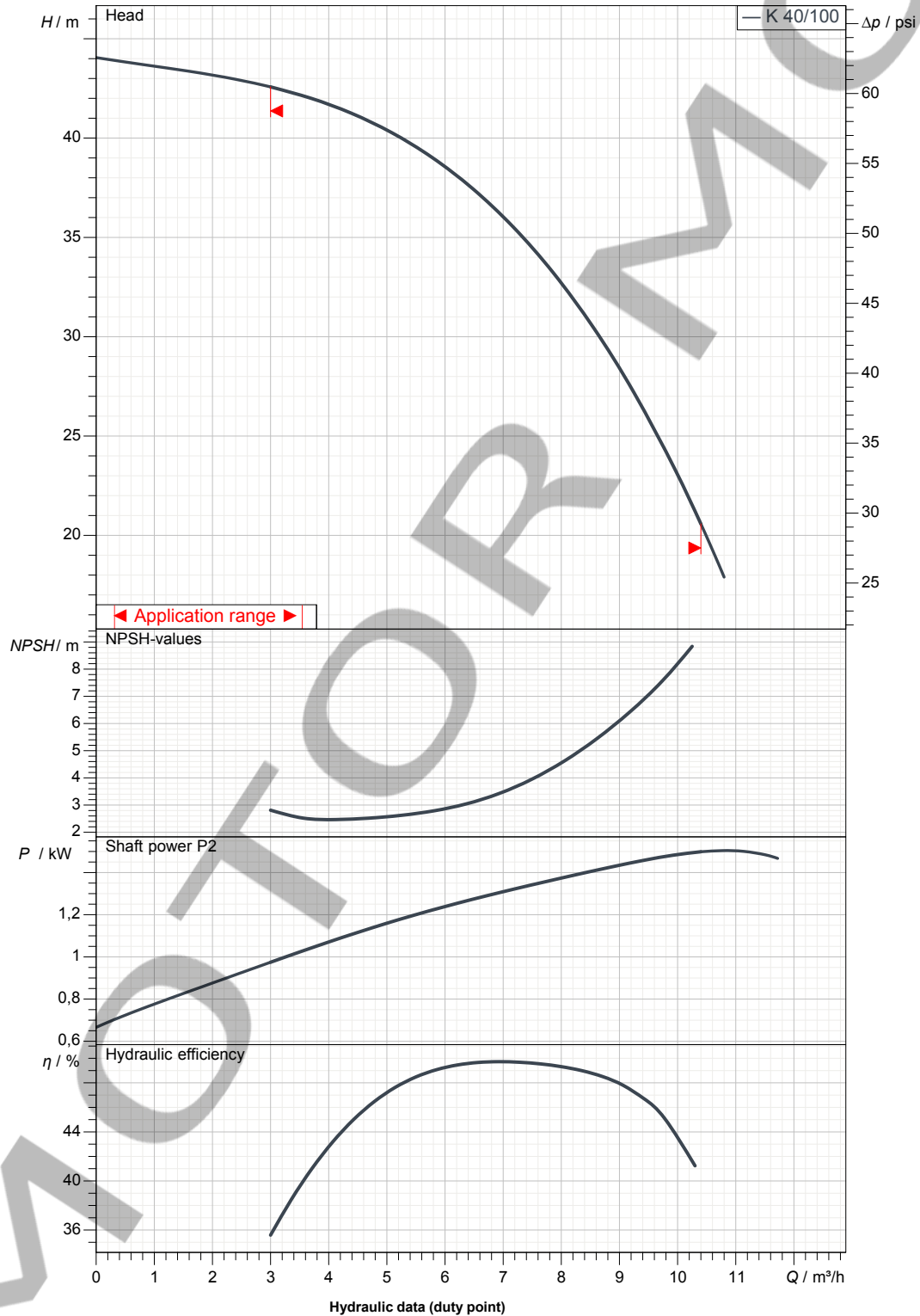
Receiver

From

Society
Reference
Address
Phone
Fax
E-mail

K 40/100 M

Curve tolerance according to ISO 9906



Suction side :
1" 1/2 G
6 bar (600 kPa)

Discharge side :
1" G
6 bar (600 kPa)

Flow :

Head :

Rated speed :
2850 1/min

MAIN_PROJECT_TITLE

BUSINESS_PROCESS_IC

OWNER_

ISSUE_DATE



DIMENSIONAL DRAWING

02/08/2015

Page 3 / 3

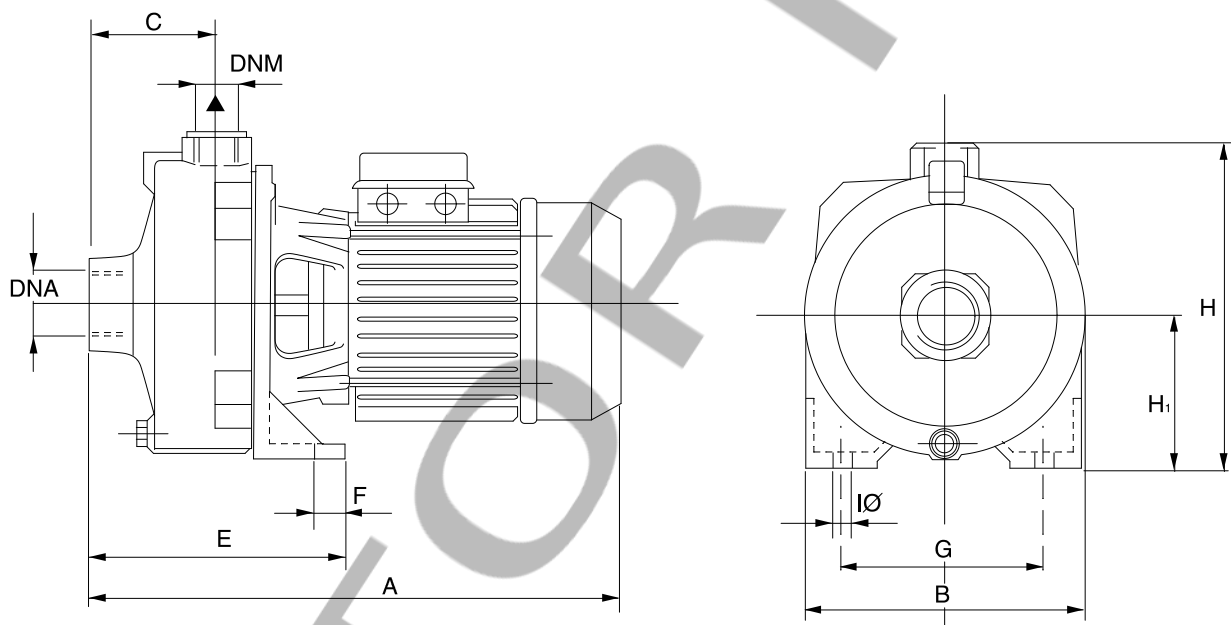
DAB PUMPS S.p.A.
Via Marco Polo, 14 - 35035 Mestrino (PD), Italy
Tel. +39 049 5125000 - Fax +39 049 5125950
www.dabpumps.com

Receiver

From

Society
Reference
Address
Phone
Fax
E-mail

K 40/100 M



Dimensions in mm

Pump connection

1	A	461
2	B	205
3	C	88
4	DNA	1" 1/2 G
5	DNM	1" G
6	E	179
7	F	20
8	G	145
9	H	233
10	H ₁	108
11	Ø	11

Suction
1" 1/2 G
6 bar (600 kPa)

Discharge
1" G
6 bar (600 kPa)

MAIN_PROJECT_TITLE

BUSINESS_PROCESS_ID

OWNER

ISSUE_DATE