

Receiver

From

Society
Reference
Address
Phone
Fax
E-mail

Item n° :

102120014

Model :

K 35/40 T

Pump data

Pressure rating : 6 bar (600 kPa)
Min. fluid temperature : -15 °C
Max. fluid temperature : 110 °C
Max. Ambient temperature : 40 °C

Requested data

Flow :
Head :
Fluid : Water
Fluid Temperature : 20 °C
Density : 998,3 kg/m³
Kinematic viscosity : 1,005 mm²/s
Vapor pressure :

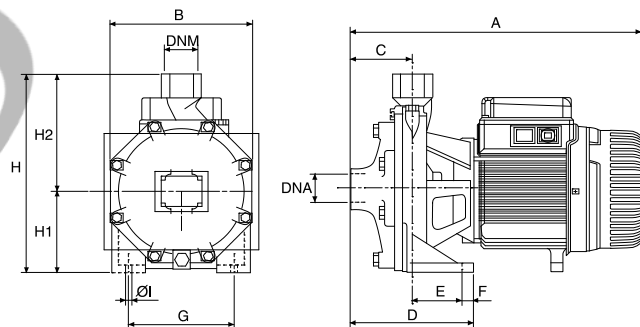
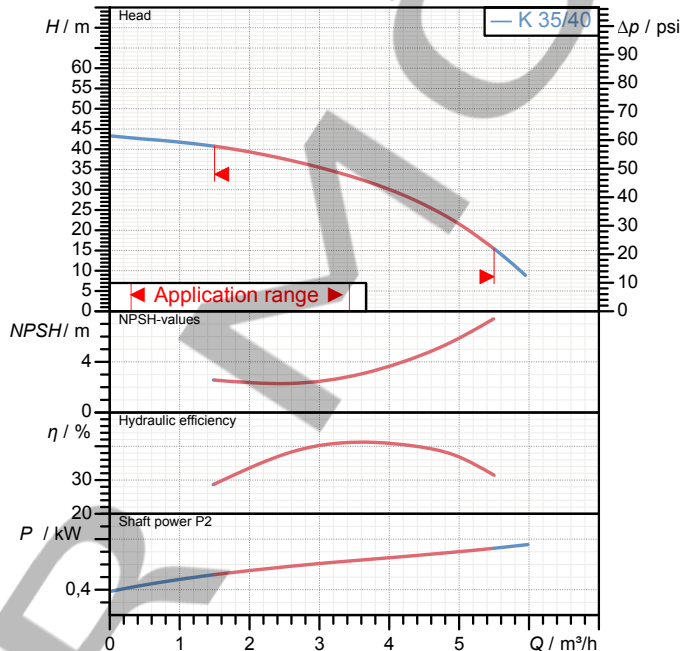
Hydraulic data (duty point)

Flow :
Head :
NPSH :
Shaft power P2 :
Efficiency :

Materials

Pump body : Cast iron 200 UNI ISO 185
Support : Cast iron 200 UNI ISO 185
Impeller : Technopolymer A
Mechanical seal : Carbon/Ceramic
OR ring : NBR Rubber
Shaft with rotor : AISI 416 X12 CrS 13 UNI 6900/71
Intermediate cover : Cast iron 200 UNI ISO 185

Curve tolerance according to ISO 9906



Weight : 16,1 kg

Motor data

Motor brand : DAB
Nominal power P2 : 0,75 kW
Rated speed : 2850 1/min
Rated voltage : 3~ 230 V 50 Hz
Nominal current : 3,8 A
Degree of protection : IP 44

Dimensions in mm

A 363
B 180
C 76
D 148
DNA 1" G
DNM 1" G
E 72
F 15
G 148
H 235
H1 100
H2 135
IØ 9,5

Pump connection

Suction side : 1" G / 6 bar (600 kPa)
Discharge side : 1" G / 6 bar (600 kPa)

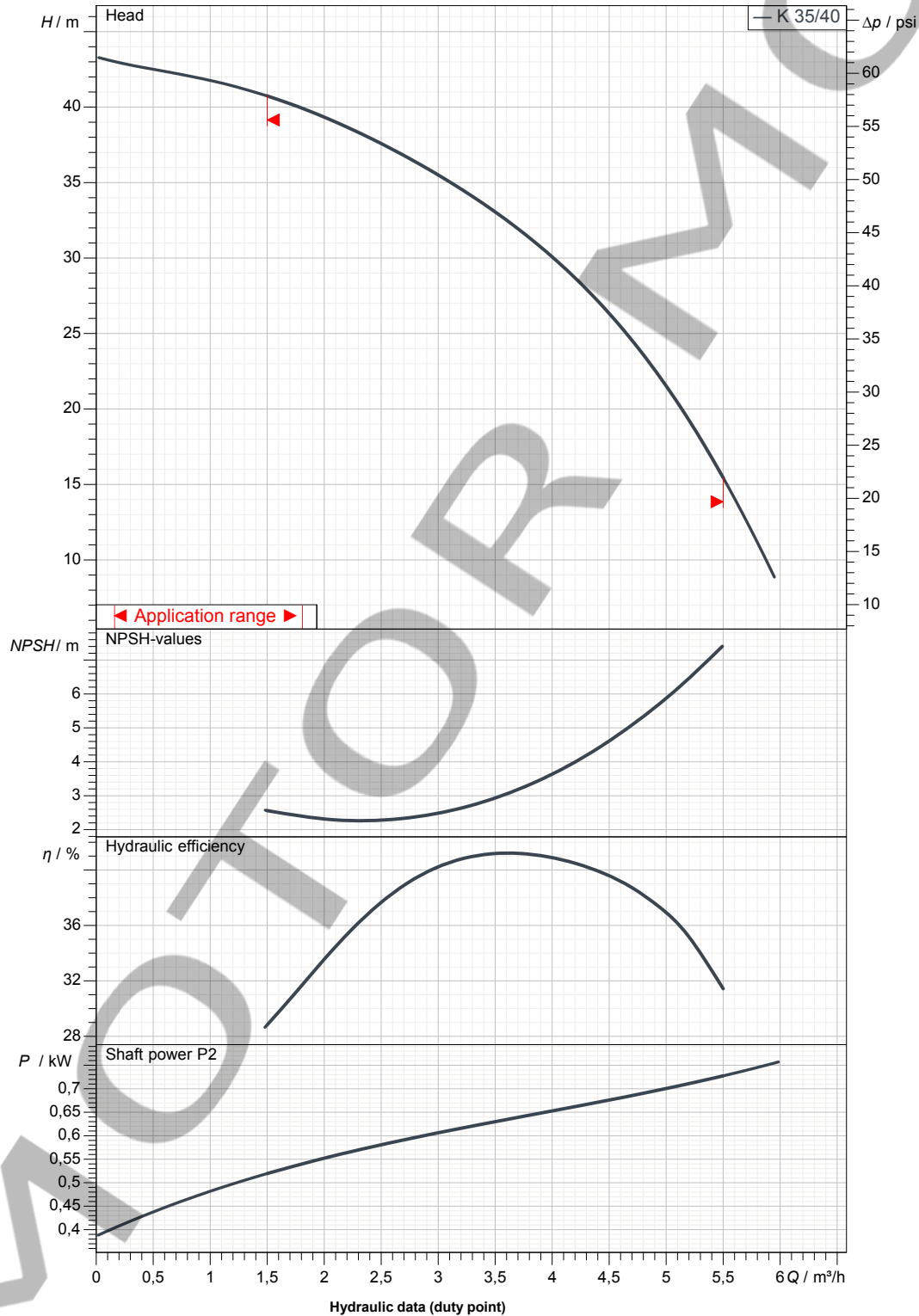
Receiver

From

Society
Reference
Address
Phone
Fax
E-mail

K 35/40 T

Curve tolerance according to ISO 9906



Suction side :
1" G
6 bar (600 kPa)

Discharge side :
1" G
6 bar (600 kPa)

Flow :

Head :

Rated speed :
2850 1/min

MAIN_PROJECT_TITLE

BUSINESS_PROCESS_IC

OWNER_

ISSUE_DATE



DIMENSIONAL DRAWING

02/08/2015

Page 3 / 3

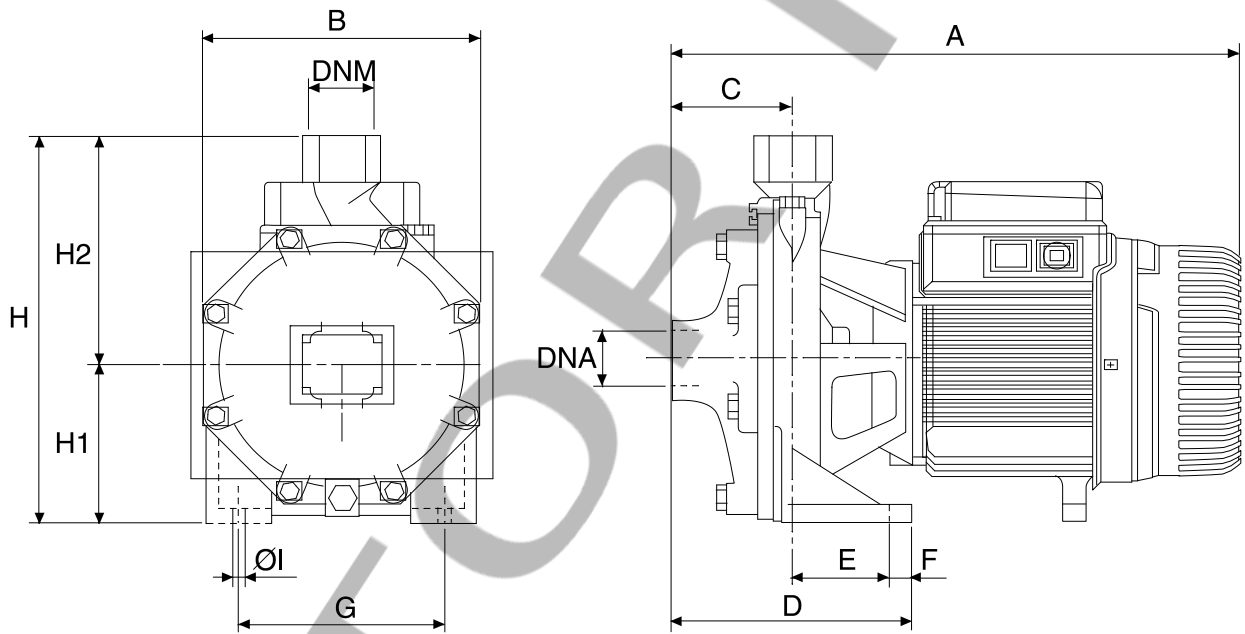
DAB PUMPS S.p.A.
Via Marco Polo, 14 - 35035 Mestrino (PD), Italy
Tel. +39 049 5125000 - Fax +39 049 5125950
www.dabpumps.com

Receiver

From

Society
Reference
Address
Phone
Fax
E-mail

K 35/40 T



Dimensions in mm

Pump connection

1	A	363	Ø	9,5		
2	B	180				
3	C	76				Suction
4	D	148				1" G
5	DNA	1" G				6 bar (600 kPa)
6	DNM	1" G				
7	E	72				Discharge
8	F	15				1" G
9	G	148				6 bar (600 kPa)
10	H	235				
11	H1	100				
12	H2	135				

MAIN_PROJECT_TITLE

BUSINESS_PROCESS_ID

OWNER

ISSUE_DATE