

Receiver

From

Society
Reference
Address
Phone
Fax
E-mail

Item n° :

102120004

Model :

K 35/40 M

Pump data

MEI ≥

Pressure rating : 6 bar (600 kPa)

Min. fluid temperature : -10 °C

Max. fluid temperature : 50 °C

Max. Ambient temperature : 40 °C

Requested data

Flow :

Head :

Fluid : Water

Fluid Temperature : 20 °C

Density : 998,3 kg/m³

Kinematic viscosity : 1,005 mm²/s

Vapor pressure :

Hydraulic data (duty point)

Flow :

Head :

NPSH :

Shaft power P2 :

Efficiency :

Materials

Pump body Cast iron 200 UNI ISO 185

Support Cast iron 200 UNI ISO 185

Impeller Technopolymer A

Mechanical seal Carbon/Ceramic

OR ring NBR Rubber

Shaft with rotor AISI 416 X12 CrS 13 UNI 6900/71

Intermediate cover Cast iron 200 UNI ISO 185

Motor data

Motor brand : DAB

Nominal power P2 : 0,75 kW

Rated speed : 2800 1/min

Rated voltage : 1~ 220-240 V 50 Hz

Nominal current : 5,5 A

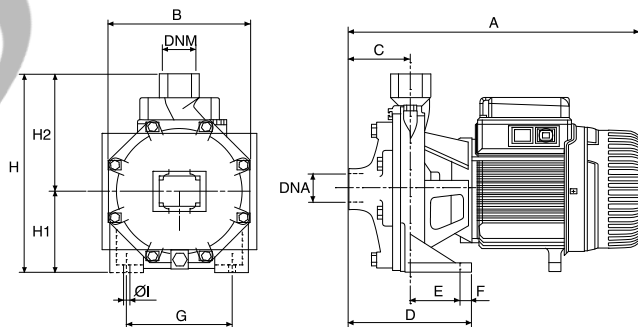
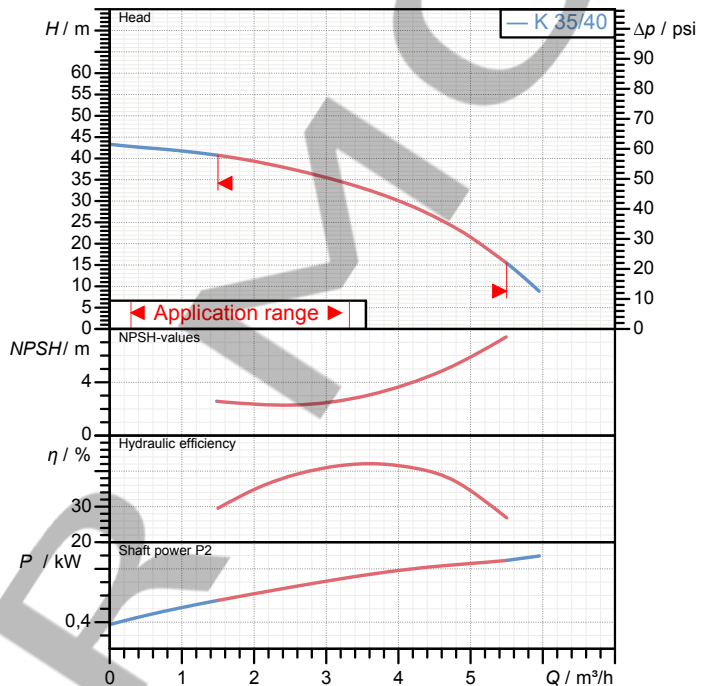
Degree of protection : IP 44

Pump connection

Suction side : 1" G / 6 bar (600 kPa)

Discharge side : 1" G / 6 bar (600 kPa)

Curve tolerance according to ISO 9906



Weight : 15,9 kg

Dimensions in mm

A	362
B	180
C	76
D	148
DNA	1" G
DNM	1" G
E	72
F	15
G	148
H	235
H1	100
H2	135
∅	9,5

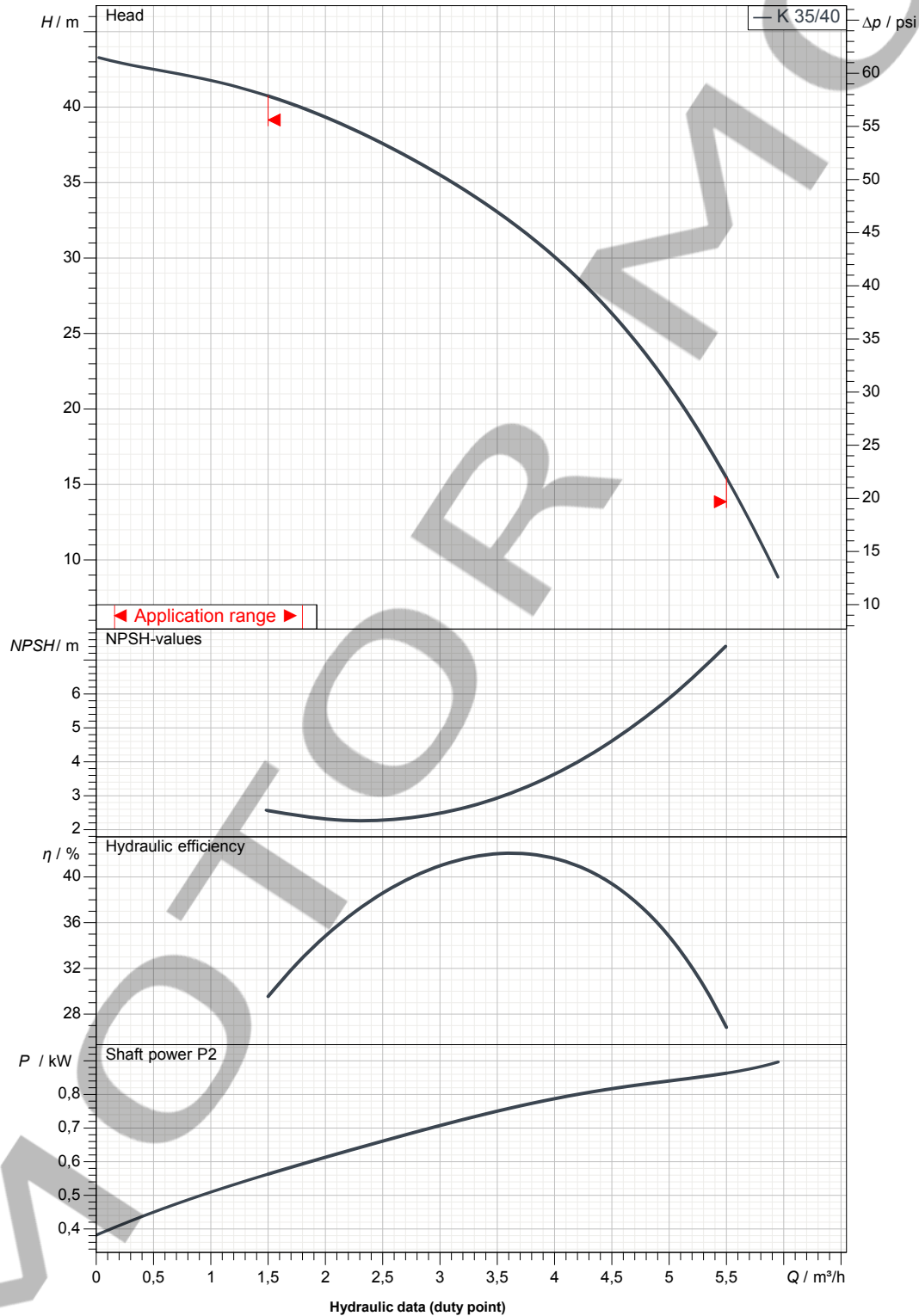
Receiver

From

 Society
 Reference
 Address
 Phone
 Fax
 E-mail

K 35/40 M

Curve tolerance according to ISO 9906


 Suction side :
 1" G
 6 bar (600 kPa)

 Discharge side :
 1" G
 6 bar (600 kPa)

Flow :

Head :

 Rated speed :
 2800 1/min

MAIN_PROJECT_TITLE

BUSINESS_PROCESS_ID

OWNER_

ISSUE_DATE



DIMENSIONAL DRAWING

02/08/2015

Page 3 / 3

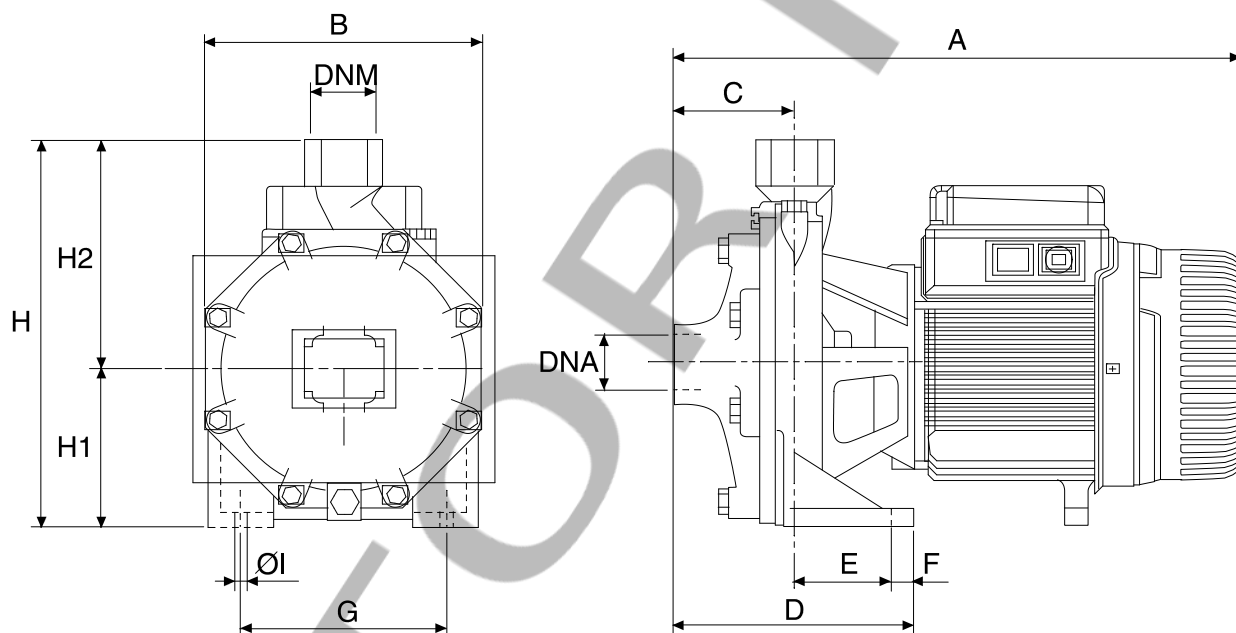
DAB PUMPS S.p.A.
Via Marco Polo, 14 - 35035 Mestrino (PD), Italy
Tel. +39 049 5125000 - Fax +39 049 5125950
www.dabpumps.com

Receiver

From

Society
Reference
Address
Phone
Fax
E-mail

K 35/40 M



Dimensions in mm

Pump connection

1	A	362
2	B	180
3	C	76
4	D	148
5	DNA	1" G
6	DNM	1" G
7	E	72
8	F	15
9	G	148
10	H	235
11	H1	100
12	H2	135

ØI	9,5			
----	-----	--	--	--

Suction
1" G
6 bar (600 kPa)

Discharge
1" G
6 bar (600 kPa)

MAIN_PROJECT_TITLE

BUSINESS_PROCESS_ID

OWNER

ISSUE_DATE