

Receiver

From

Society
Reference
Address
Phone
Fax
E-mail

Item n° :

102121010

Model :

K 35/100 T

Pump data

Pressure rating : 6 bar (600 kPa)
Min. fluid temperature : -15 °C
Max. fluid temperature : 110 °C
Max. Ambient temperature : 40 °C

Requested data

Flow :
Head :
Fluid : Water
Fluid Temperature : 20 °C
Density : 998,3 kg/m³
Kinematic viscosity : 1,005 mm²/s
Vapor pressure :

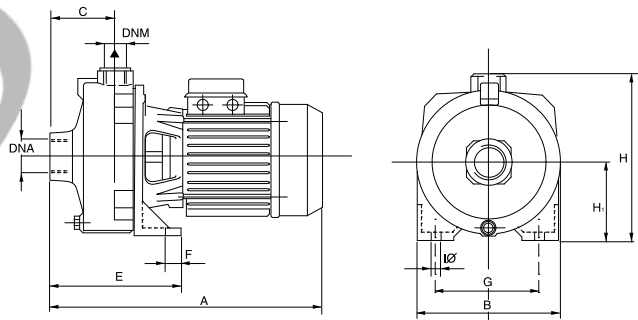
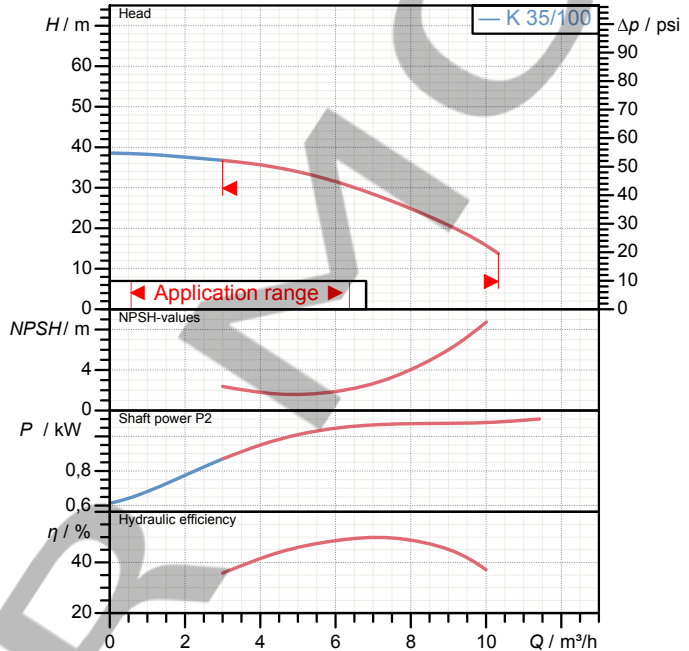
Hydraulic data (duty point)

Flow :
Head :
NPSH :
Shaft power P2 :
Efficiency :

Materials

Pump body : Cast iron 200 UNI ISO 185
Support : Cast iron 200 UNI ISO 185
Impeller : Technopolymer A
Mechanical seal : Carbon/Ceramic
OR ring : NBR Rubber
Shaft with rotor : AISI 416 X12 CrS 13 UNI 6900/71
Intermediate cover : Cast iron 200 UNI ISO 185

Curve tolerance according to ISO 9906



Weight : 21,5 kg

Motor data

Motor brand : DAB
Nominal power P2 : 1,1 kW
Rated speed : 2850 1/min
Rated voltage : 3~ 230 V 50 Hz
Nominal current : 5,36 A
Degree of protection : IP 44

Dimensions in mm

A	387
B	205
C	88
DNA	1"1/2 G
DNM	1" G
E	179
F	20
G	145
H	233
H1	108
IO	11

Pump connection

Suction side : 1" 1/2 G / 6 bar (600 kPa)
Discharge side : 1" G / 6 bar (600 kPa)

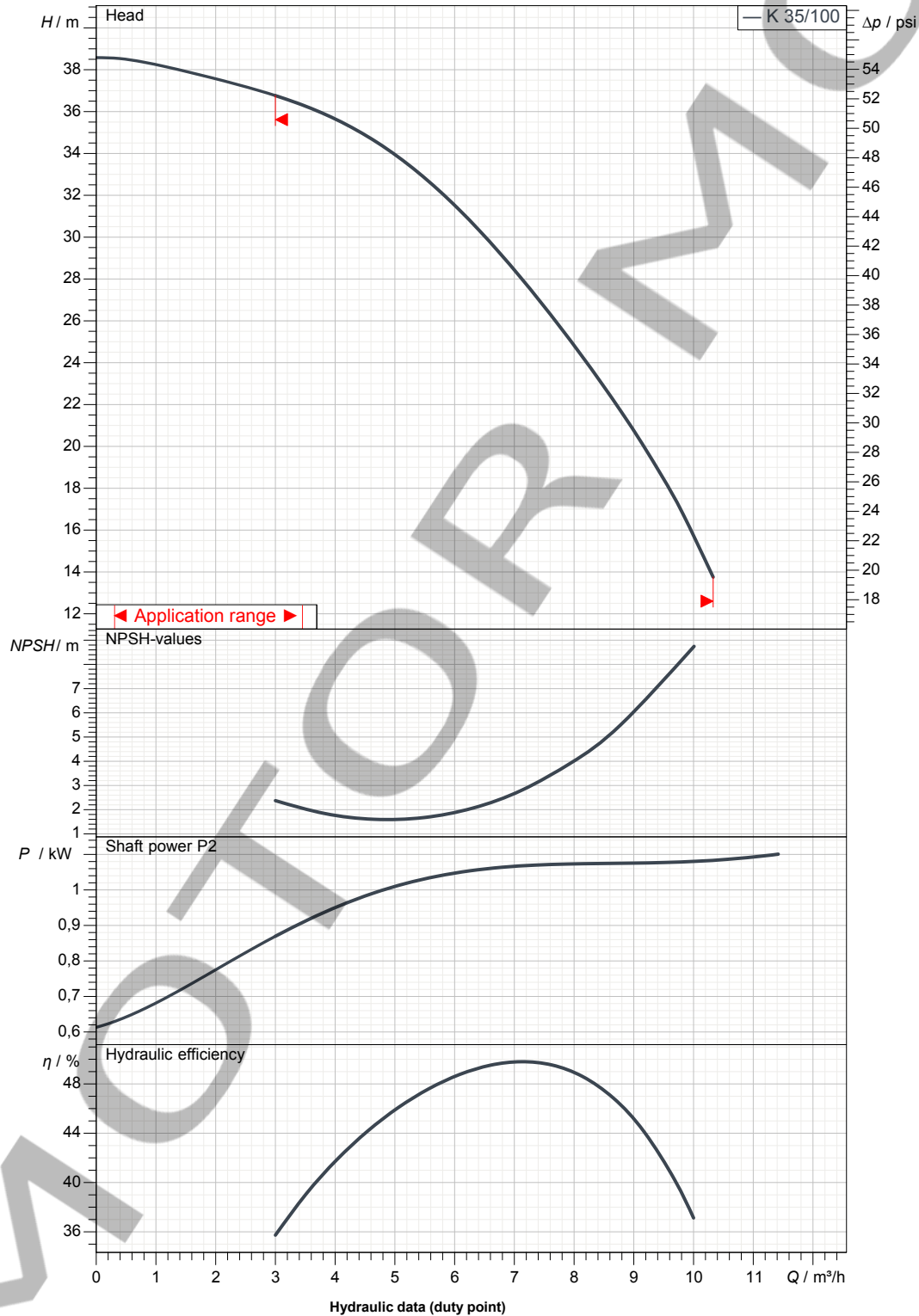
Receiver

From

Society
Reference
Address
Phone
Fax
E-mail

K 35/100 T

Curve tolerance according to ISO 9906



Suction side :
1" 1/2 G
6 bar (600 kPa)

Discharge side :
1" G
6 bar (600 kPa)

Flow :

Head :

Rated speed :
2850 1/min

MAIN_PROJECT_TITLE

BUSINESS_PROCESS_IC

OWNER_

ISSUE_DATE



DIMENSIONAL DRAWING

DAB PUMPS S.p.A.
Via Marco Polo, 14 - 35035 Mestrino (PD), Italy
Tel. +39 049 5125000 - Fax +39 049 5125950
www.dabpumps.com

02/08/2015

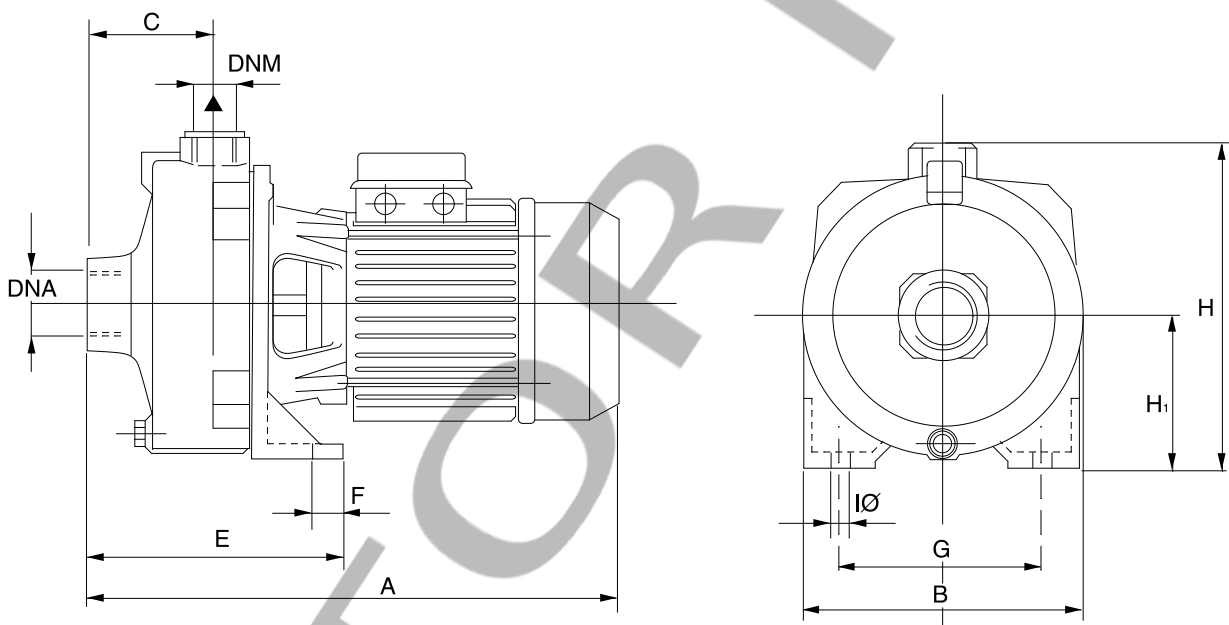
Page 3 / 3

Receiver

From

Society
Reference
Address
Phone
Fax
E-mail

K 35/100 T



Dimensions in mm			Pump connection			
1	A	387				
2	B	205				Suction
3	C	88				1" 1/2 G
4	DNA	1" 1/2 G				6 bar (600 kPa)
5	DNM	1" G				
6	E	179				Discharge
7	F	20				1" G
8	G	145				6 bar (600 kPa)
9	H	233				
10	H _i	108				
11	IO	11				

MAIN_PROJECT_TITLE	BUSINESS_PROCESS_ID	OWNER	ISSUE_DATE