

**Receiver**

**From**

Society  
Reference  
Address  
Phone  
Fax  
E-mail

**Item n° :**

102112024

**Model :**

K 30/70 M-P

**Pump data**

MEI ≥ -

Pressure rating : 6 bar (600 kPa)

Min. fluid temperature : -10 °C

Max. fluid temperature : 50 °C

Max. Ambient temperature : 40 °C

**Requested data**

Flow :

Head :

Fluid : Water

Fluid Temperature : 20 °C

Density : 998,3 kg/m<sup>3</sup>

Kinematic viscosity : 1,005 mm<sup>2</sup>/s

Vapor pressure :

**Hydraulic data (duty point)**

Flow :

Head :

NPSH :

Shaft power P2 :

Efficiency :

**Materials**

Pump body Cast iron 200 UNI ISO 185

Support Cast iron 200 UNI ISO 185

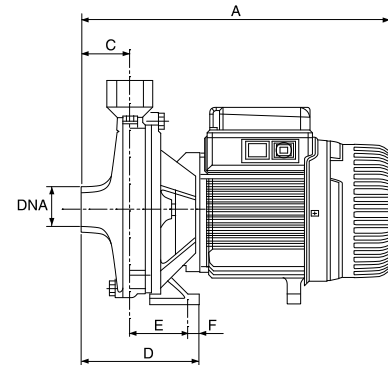
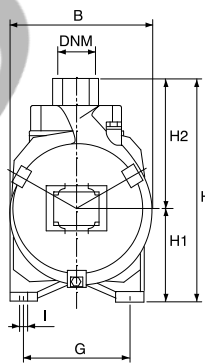
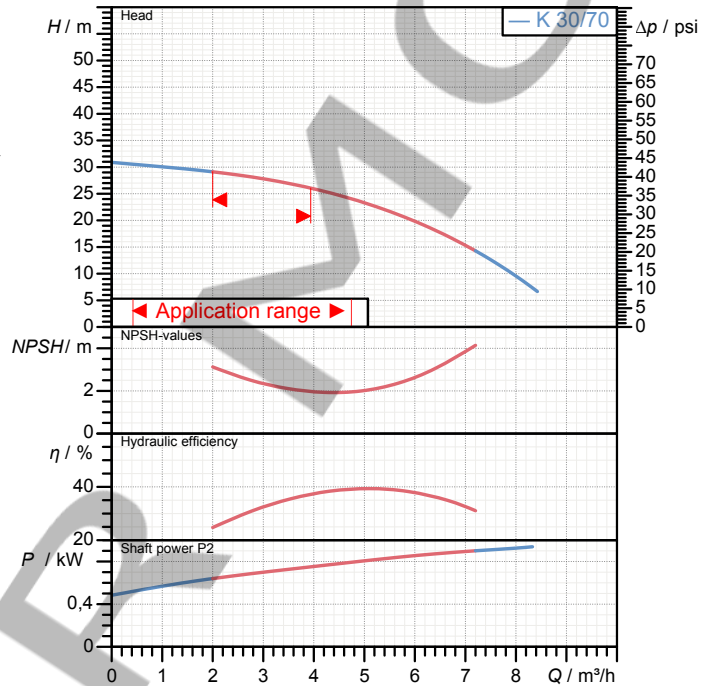
Impeller Technopolymer A

Mechanical seal Carbon/Ceramic

OR ring NBR Rubber

Shaft with rotor AISI 416 X12 CrS 13 UNI 6900/71

**Curve tolerance according to ISO 9906**



**Weight :** 13,9 kg

**Motor data**

Motor brand : DAB

Nominal power P2 : 0,75 kW

Rated speed : 2800 1/min

Rated voltage : 1~ 220-240 V 50 Hz

Nominal current : 6 A

Degree of protection : IP 44

**Dimensions in mm**

A	330
B	185
C	50
D	108
DNA	1" G-M
DNM	1" G-M
E	58
F	15
G	140
H	235
H1	100
H2	135
I	9

**Pump connection**

Suction side : 1" G-M / 6 bar (600 kPa)

Discharge side : 1" G-M / 6 bar (600 kPa)

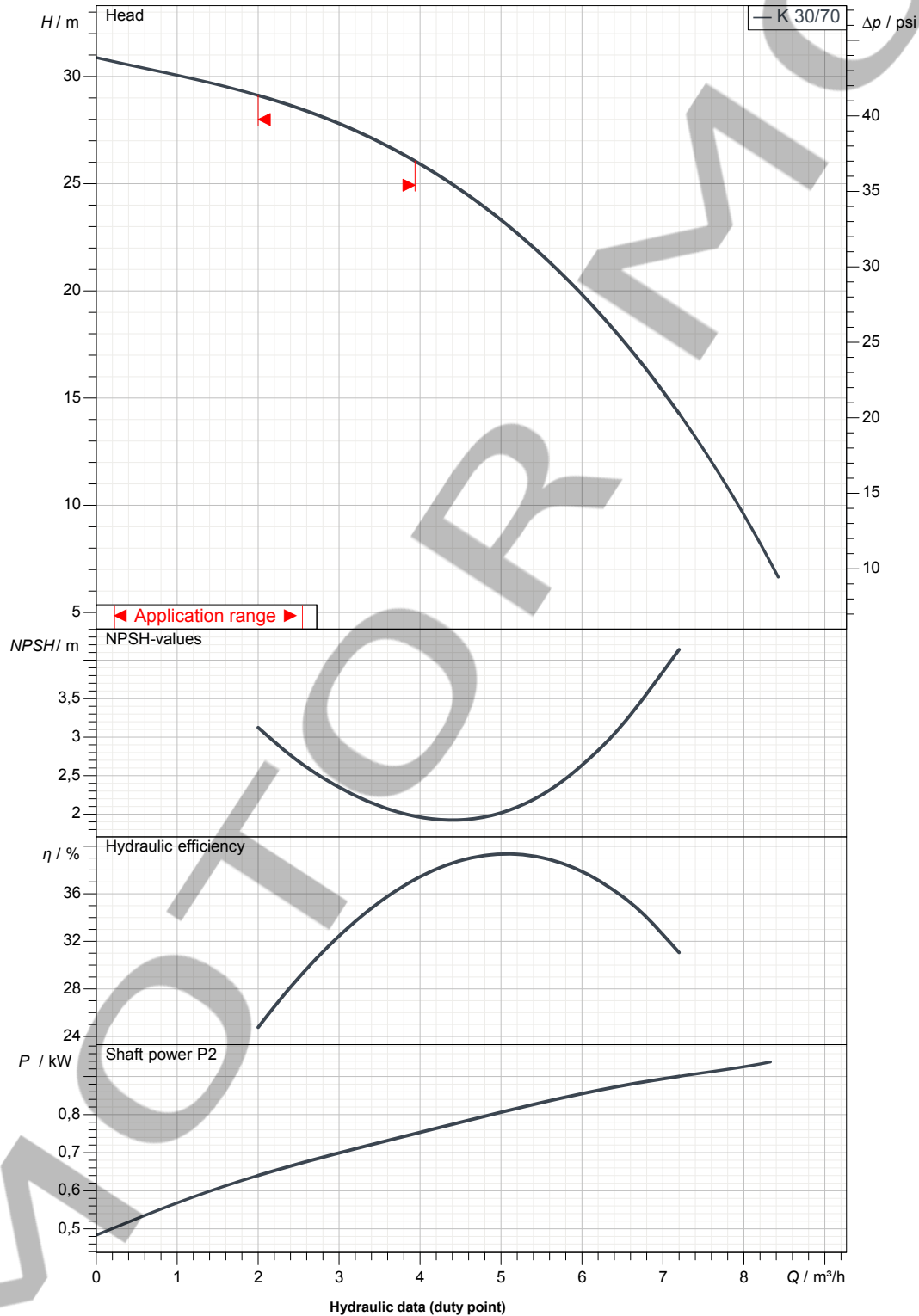
Receiver

From

 Society  
 Reference  
 Address  
 Phone  
 Fax  
 E-mail

**K 30/70 M-P**

Curve tolerance according to ISO 9906


 Suction side :  
 1" G-M  
 6 bar (600 kPa)

 Discharge side :  
 1" G-M  
 6 bar (600 kPa)

Flow :

Head :

 Rated speed :  
 2800 1/min

MAIN\_PROJECT\_TITLE

BUSINESS\_PROCESS\_IC

OWNER\_

ISSUE\_DATE



# DIMENSIONAL DRAWING

02/08/2015

Page 3 / 3

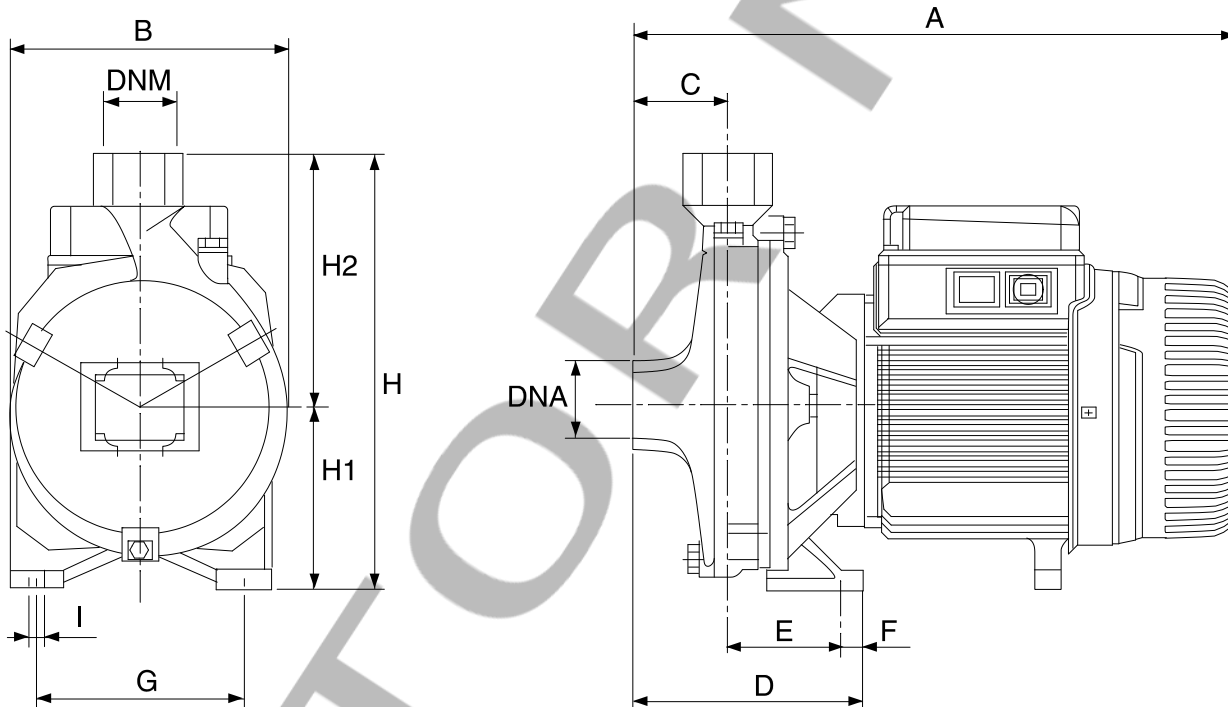
DAB PUMPS S.p.A.  
Via Marco Polo, 14 - 35035 Mestrino (PD), Italy  
Tel. +39 049 5125000 - Fax +39 049 5125950  
www.dabpumps.com

Receiver

From

Society  
Reference  
Address  
Phone  
Fax  
E-mail

## K 30/70 M-P



### Dimensions in mm

### Pump connection

1	A	330	I	9			
2	B	185					
3	C	50					Suction
4	D	108					1" G-M
5	DNA	1" G-M					6 bar (600 kPa)
6	DNM	1" G-M					
7	E	58					Discharge
8	F	15					1" G-M
9	G	140					6 bar (600 kPa)
10	H	235					
11	H1	100					
12	H2	135					

MAIN\_PROJECT\_TITLE

BUSINESS\_PROCESS\_ID

OWNER

ISSUE\_DATE