

**Receiver**

**From**

Society  
Reference  
Address  
Phone  
Fax  
E-mail

**Item n° :**

102160142

**Model :**

JET 200 M

**Pump data**

Pressure rating : 8 bar (800 kPa)  
Min. fluid temperature : 0 °C  
Max. fluid temperature : 35 °C  
Max. Ambient temperature : 40 °C

**Priming capacity :**

H m	2	3	4	5	6	7	8
Q m³/h	9,48	8,58	7,8	6,48	5,58	4,68	3,72

**Requested data**

Flow :  
Head :  
Fluid : Water  
Fluid Temperature : 20 °C  
Density : 998,3 kg/m³  
Kinematic viscosity : 1,005 mm²/s  
Vapor pressure :

**Hydraulic data (duty point)**

Flow :  
Head :

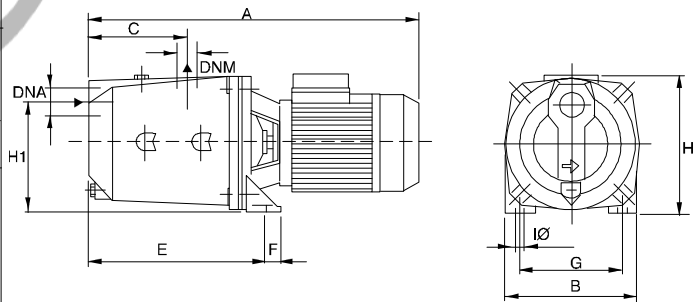
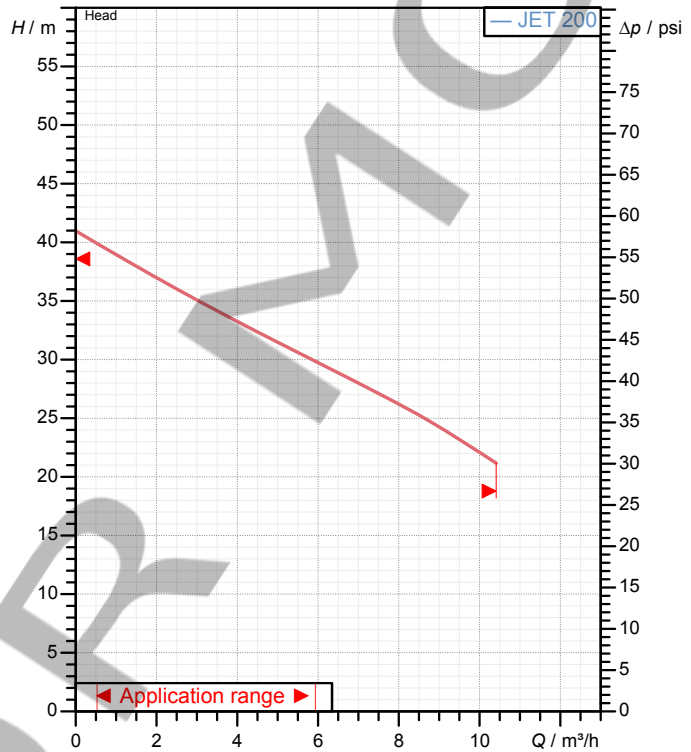
**Materials**

Pump body : Cast iron GJL 200 UNI EN 1561  
Support : Cast iron GJL 200 UNI EN 1561  
Impeller : Noryl  
Mechanical seal : Carbon/Ceramic  
OR ring : NBR Rubber  
Shaft with rotor : AISI 303  
Nozzle venturi diffuser assembly : Noryl

**Motor data**

Motor brand : DAB  
Nominal power P2 : 1,5 kW  
Rated speed : 2850 1/min  
Rated voltage : 1~ 220-240 V 50 Hz  
Nominal current : 9 A  
Degree of protection : IP 44

Curve tolerance according to ISO 9906



**Dimensions in mm**

A	521	DNM	1"1/4 G	H	227		
B	214	E	282	H1	175		
C	151	F	20	I Ø	11		
DNA	1"1/2 G	G	160				

**Weight :** 27 kg

**Pump connection**

Suction side : 1" 1/2 G / 8 bar (800 kPa)  
Discharge side : 1" 1/4 G / 8 bar (800 kPa)



WATER • TECHNOLOGY

# PERFORMANCE CURVES

01/08/2015

Page 2 / 3

DAB PUMPS S.p.A.  
Via Marco Polo, 14 - 35035 Mestrino (PD), Italy  
Tel. +39 049 5125000 - Fax +39 049 5125950  
www.dabpumps.com

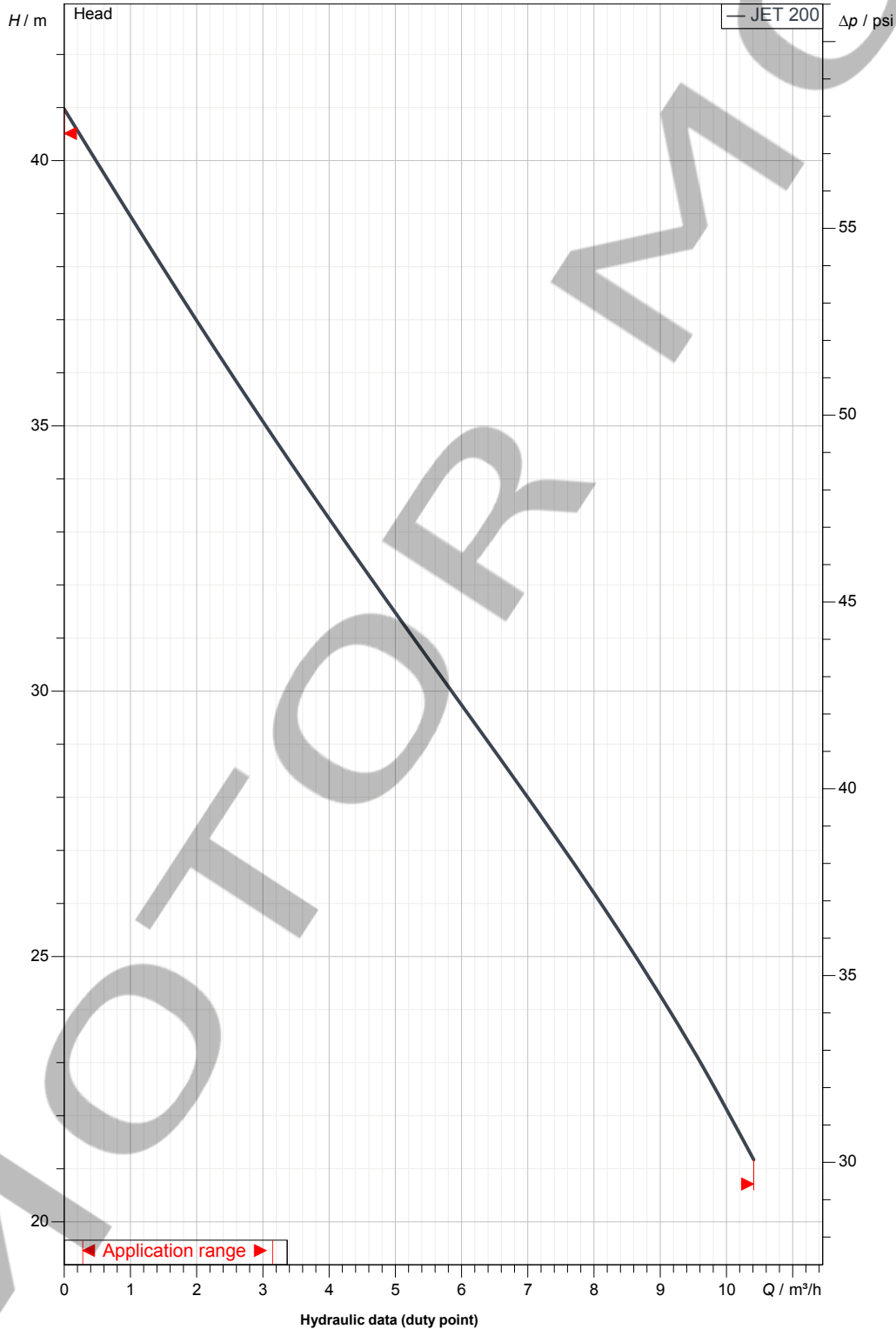
Receiver

From

Society  
Reference  
Address  
Phone  
Fax  
E-mail

## JET 200 M

Curve tolerance according to ISO 9906



Suction side :  
1" 1/2 G  
8 bar (800 kPa)

Discharge side :  
1" 1/4 G  
8 bar (800 kPa)

Flow :

Head :

Rated speed :  
2850 1/min

MAIN\_PROJECT\_TITLE

BUSINESS\_PROCESS\_ID

OWNER

ISSUE\_DATE



# DIMENSIONAL DRAWING

DAB PUMPS S.p.A.  
Via Marco Polo, 14 - 35035 Mestrino (PD), Italy  
Tel. +39 049 5125000 - Fax +39 049 5125950  
www.dabpumps.com

01/08/2015

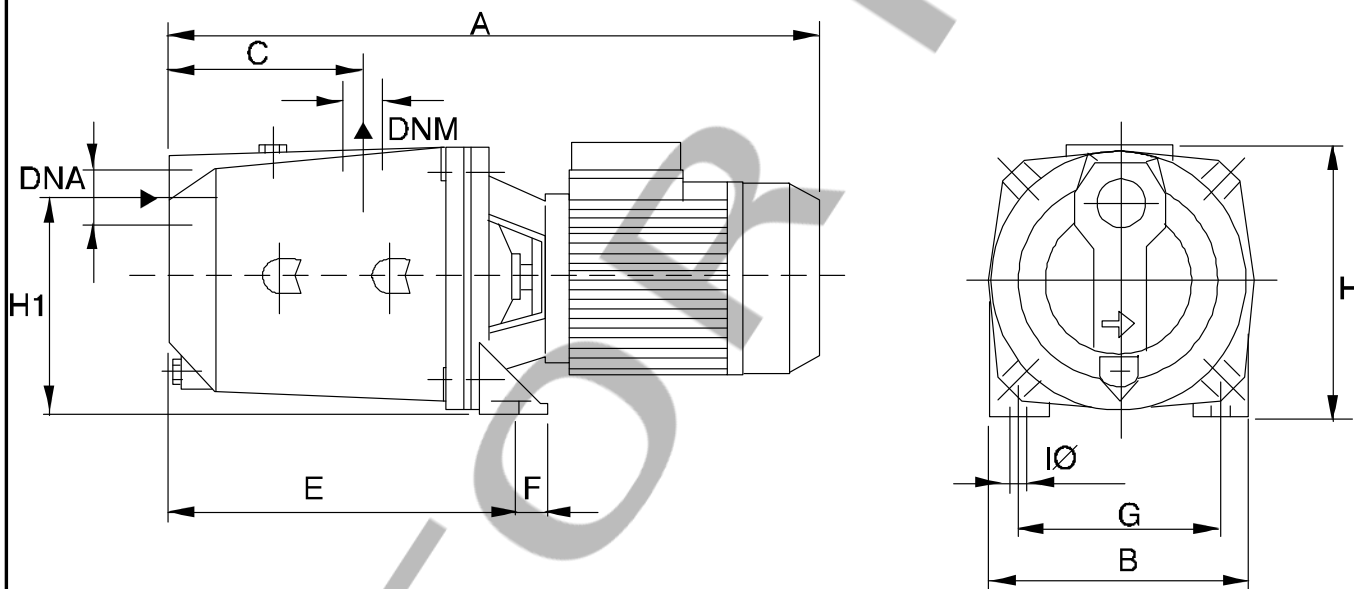
Page 3 / 3

Receiver

From

Society  
Reference  
Address  
Phone  
Fax  
E-mail

## JET 200 M



Dimensions in mm			Pump connection	
1	A	521		
2	B	214		Suction
3	C	151		1" 1/2 G
4	DNA	1"1/2 G		8 bar (800 kPa)
5	DNM	1"1/4 G		
6	E	282		Discharge
7	F	20		1" 1/4 G
8	G	160		8 bar (800 kPa)
9	H	227		
10	H1	175		
11	IØ	11		

MAIN_PROJECT_TITLE	BUSINESS_PROCESS_ID	OWNER_	ISSUE_DATE