

Receiver

From

Society
Reference
Address
Phone
Fax
E-mail

Item n° :

102160070

Model :

JET 151 T

Pump data

Pressure rating : 8 bar (800 kPa)
Min. fluid temperature : -10 °C
Max. fluid temperature : 35 °C
Max. Ambient temperature : 40 °C

Priming capacity :

H	m	2	3	4	5	6	7	8
Q	m³/h	4,2	3,72	3,36	3	2,46	1,98	1,5

Requested data

Flow :
Head :
Fluid : Water
Fluid Temperature : 20 °C
Density : 998,3 kg/m³
Kinematic viscosity : 1,005 mm²/s
Vapor pressure :

Hydraulic data (duty point)

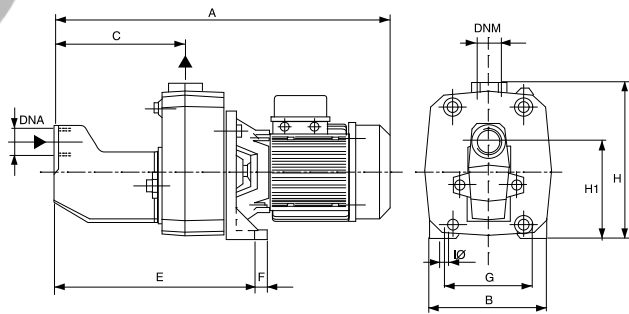
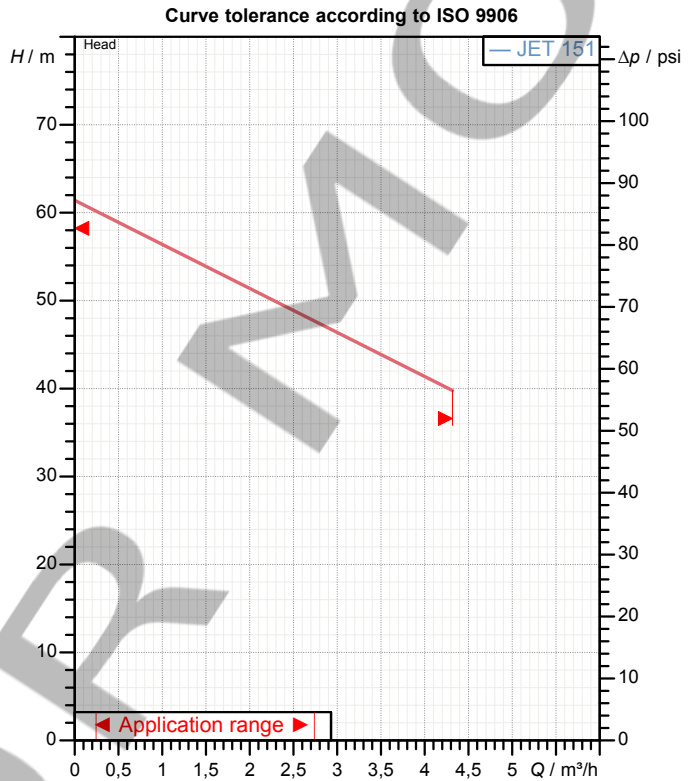
Flow :
Head :

Materials

Pump body : Cast iron GJL 200 UNI EN 1561
Support : Cast iron GJL 200 UNI EN 1561
Impeller : Noryl
Mechanical seal : Carbon/Ceramic
OR ring : NBR Rubber
Shaft with rotor : AISI 303
Nozzle venturi diffuser assembly : Noryl

Motor data

Motor brand : DAB
Nominal power P2 : 1,1 kW
Rated speed : 2800 1/min
Rated voltage : 3~ 230 V
Nominal current : 5,2 A
Degree of protection : IP 44



Dimensions in mm

A	558	DNM	1" G	H	255
B	210	E	350	H1	158
C	221	F	20	I O	11
DNA	1"1/4 G	G	145		

Weight : 31 kg

Pump connection

Suction side : 1" 1/4 G / 8 bar (800 kPa)
Discharge side : 1" G / 8 bar (800 kPa)



WATER • TECHNOLOGY

PERFORMANCE CURVES

01/08/2015

Page 2 / 3

DAB PUMPS S.p.A.
Via Marco Polo, 14 - 35035 Mestrino (PD), Italy
Tel. +39 049 5125000 - Fax +39 049 5125950
www.dabpumps.com

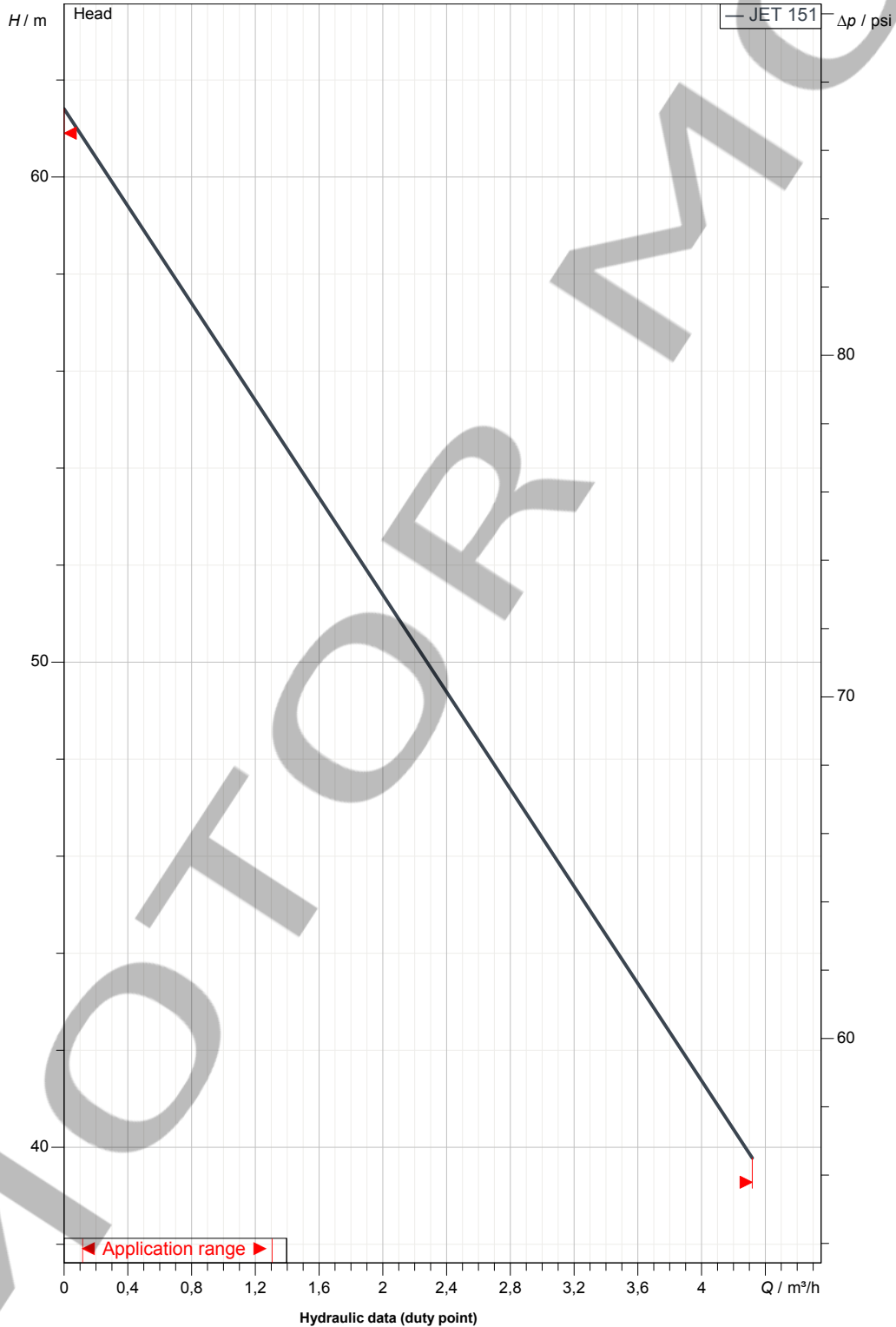
Receiver

From

Society
Reference
Address
Phone
Fax
E-mail

JET 151 T

Curve tolerance according to ISO 9906



Suction side :
1" 1/4 G
8 bar (800 kPa)

Discharge side :
1" G
8 bar (800 kPa)

Flow :

Head :

Rated speed :
2800 1/min

MAIN_PROJECT_TITLE

BUSINESS_PROCESS_ID

OWNER_

ISSUE_DATE



DIMENSIONAL DRAWING

01/08/2015

Page 3 / 3

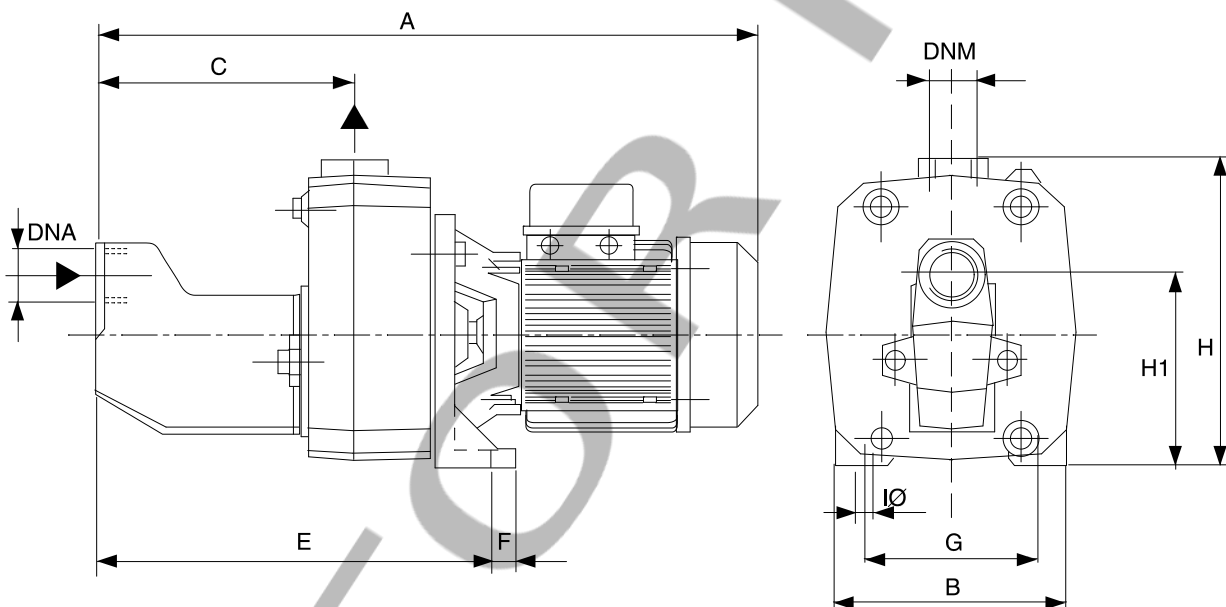
DAB PUMPS S.p.A.
Via Marco Polo, 14 - 35035 Mestrino (PD), Italy
Tel. +39 049 5125000 - Fax +39 049 5125950
www.dabpumps.com

Receiver

From

Society
Reference
Address
Phone
Fax
E-mail

JET 151 T



Dimensions in mm

Pump connection

1	A	558					
2	B	210					Suction
3	C	221					1" 1/4 G
4	DNA	1" 1/4 G					8 bar (800 kPa)
5	DNM	1" G					Discharge
6	E	350					1" G
7	F	20					8 bar (800 kPa)
8	G	145					
9	H	255					
10	H1	158					
11	IO	11					

MAIN_PROJECT_TITLE

BUSINESS_PROCESS_ID

OWNER

ISSUE_DATE