

Receiver

From

Society
Reference
Address
Phone
Fax
E-mail

Item n° :

102660070

Model :

JET 112 T

Pump data

Pressure rating : 8 bar (800 kPa)
Min. fluid temperature : 0 °C
Max. fluid temperature : 35 °C
Max. Ambient temperature : 40 °C

Priming capacity :

H m	2	3	4	5	6	7	8	9
Q m³/h	3,06	2,82	2,46	2,28	2,04	1,68	1,38	1,08

Requested data

Flow :
Head :
Fluid : Water
Fluid Temperature : 20 °C
Density : 998,3 kg/m³
Kinematic viscosity : 1,005 mm²/s
Vapor pressure :

Hydraulic data (duty point)

Flow :
Head :

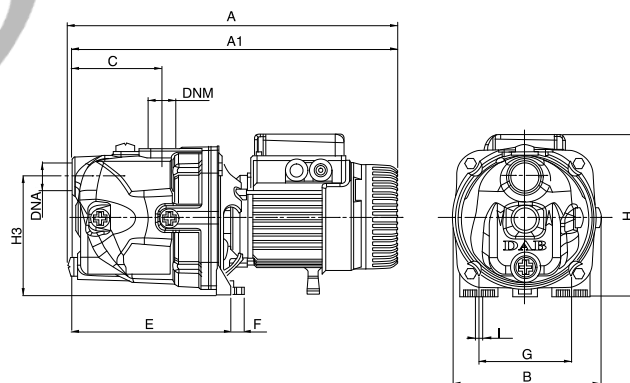
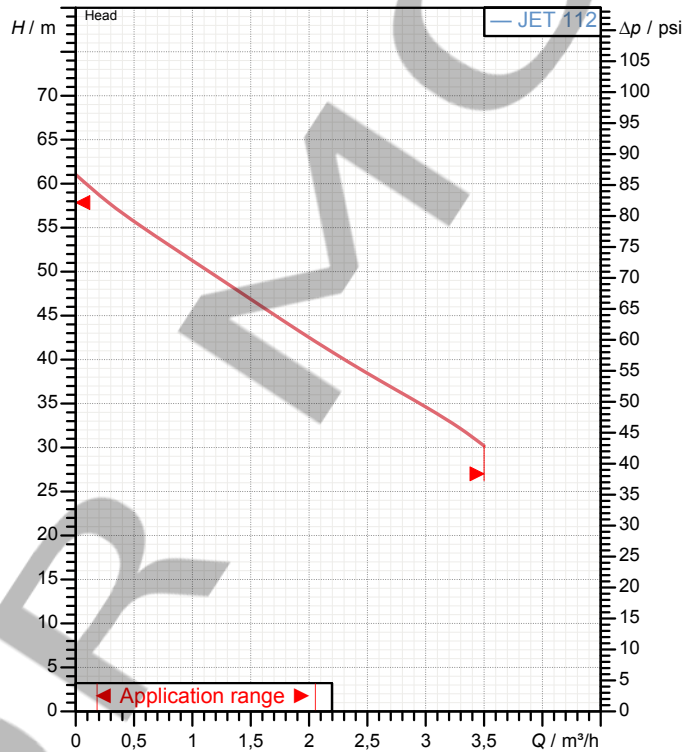
Materials

Pump body : Cast iron 200 UNI ISO 185
Support : Die cast aluminium
Impeller : Technopolymer A
Mechanical seal : Carbon/Ceramic
OR ring : NBR Rubber
Shaft with rotor : AISI 416 X12 CrS 13 UNI 6900/71
Nozzle venturi diffuser assembly : Technopolymer A

Motor data

Motor brand : DAB
Nominal power P2 : 1 kW
Rated speed : 2750 1/min
Rated voltage : 3~ 230 V
Nominal current : 4,3 A
Degree of protection : IP 44

Curve tolerance according to ISO 9906



Dimensions in mm

A	414	DNA	1" G	G	111		
A1	409	DNM	1" G	H	203		
B	178	E	192	H3	144		
C	108	F	14	I	9		

Weight : 13,5 kg

Pump connection

Suction side : 1" G / 8 bar (800 kPa)
Discharge side : 1" G / 8 bar (800 kPa)



WATER • TECHNOLOGY

PERFORMANCE CURVES

01/08/2015

Page 2 / 3

DAB PUMPS S.p.A.
Via Marco Polo, 14 - 35035 Mestrino (PD), Italy
Tel. +39 049 5125000 - Fax +39 049 5125950
www.dabpumps.com

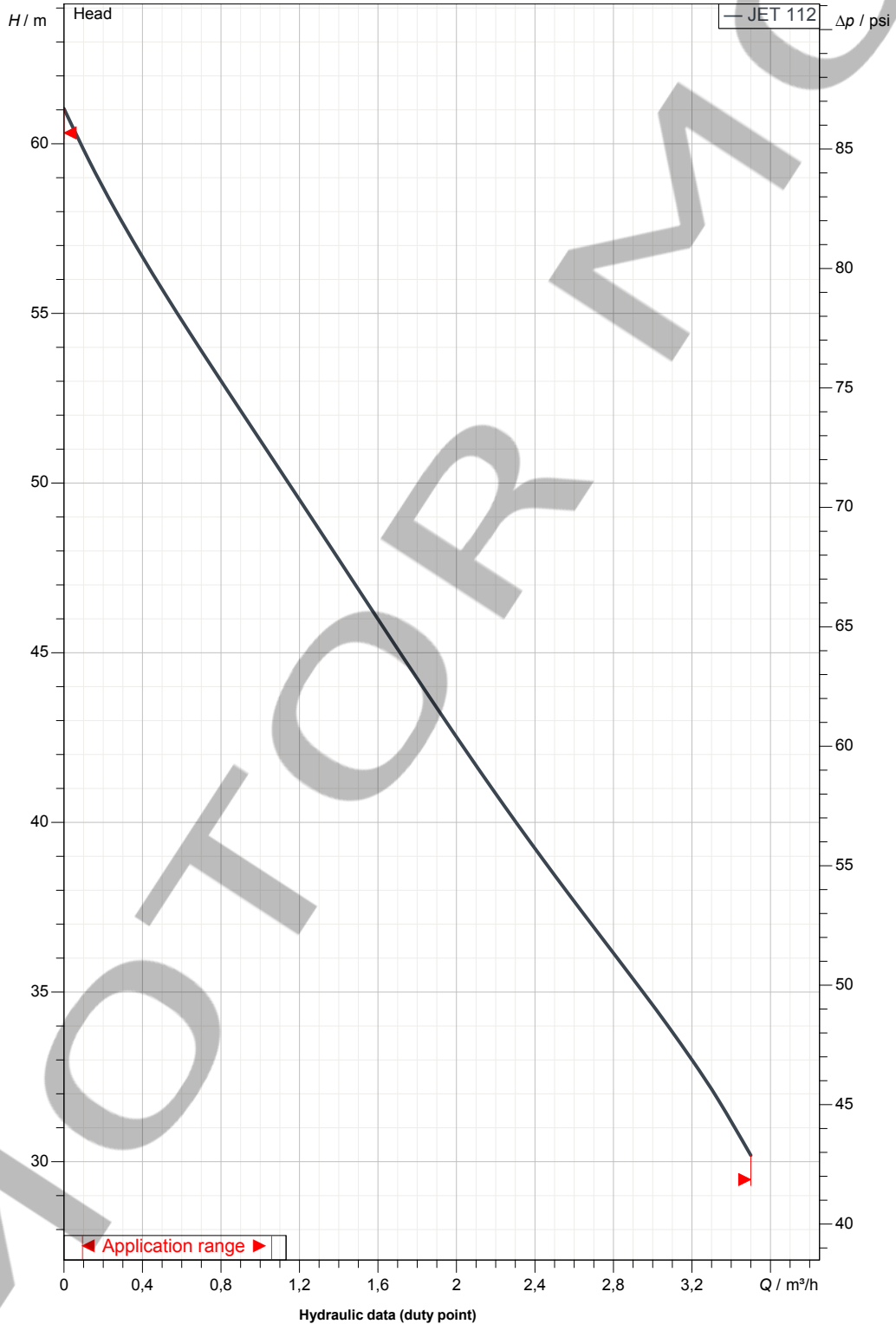
Receiver

From

Society
Reference
Address
Phone
Fax
E-mail

JET 112 T

Curve tolerance according to ISO 9906



Suction side :
1" G
8 bar (800 kPa)

Discharge side :
1" G
8 bar (800 kPa)

Flow :

Head :

Rated speed :
2750 1/min

MAIN_PROJECT_TITLE

BUSINESS_PROCESS_ID

OWNER

ISSUE_DATE



DIMENSIONAL DRAWING

01/08/2015

Page 3 / 3

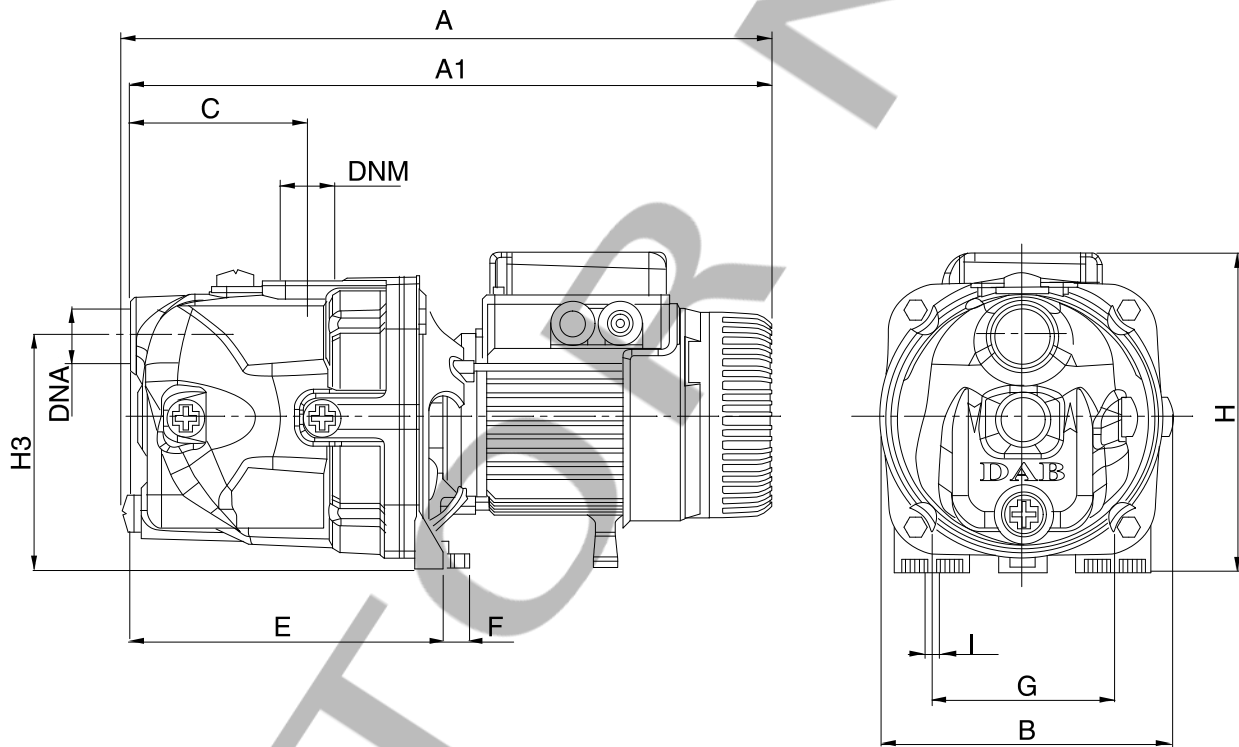
DAB PUMPS S.p.A.
Via Marco Polo, 14 - 35035 Mestrino (PD), Italy
Tel. +39 049 5125000 - Fax +39 049 5125950
www.dabpumps.com

Receiver

From

Society
Reference
Address
Phone
Fax
E-mail

JET 112 T



Dimensions in mm

Pump connection

1	A	414					
2	A1	409					
3	B	178					Suction
4	C	108					1" G
5	DNA	1" G					8 bar (800 kPa)
6	DNM	1" G					
7	E	192					Discharge
8	F	14					1" G
9	G	111					8 bar (800 kPa)
10	H	203					
11	H3	144					
12	I	9					

MAIN_PROJECT_TITLE

BUSINESS_PROCESS_ID

OWNER_

ISSUE_DATE