

**Receiver**

**From**

Society  
Reference  
Address  
Phone  
Fax  
E-mail

**Item n° :**

102660060

**Model :**

JET 112 M

**Pump data**

Pressure rating : 6 bar (600 kPa)  
Min. fluid temperature : 0 °C  
Max. fluid temperature : 35 °C  
Max. Ambient temperature : 40 °C

**Priming capacity :**

H m	2	3	4	5	6	7	8	9
Q m³/h	3,06	2,82	2,58	2,4	2,04	1,74	1,5	1,2

**Requested data**

Flow :  
Head :  
Fluid : Water  
Fluid Temperature : 20 °C  
Density : 998,3 kg/m³  
Kinematic viscosity : 1,005 mm²/s  
Vapor pressure :

**Hydraulic data (duty point)**

Flow :  
Head :

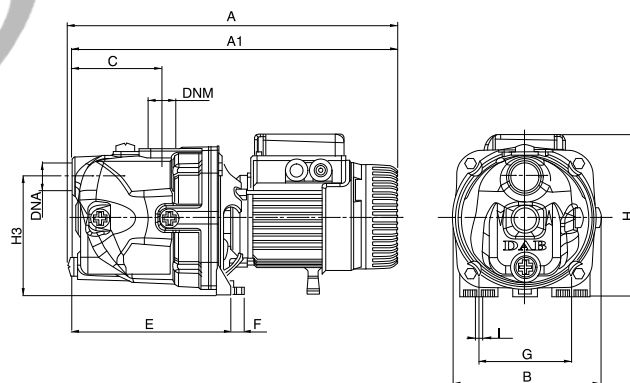
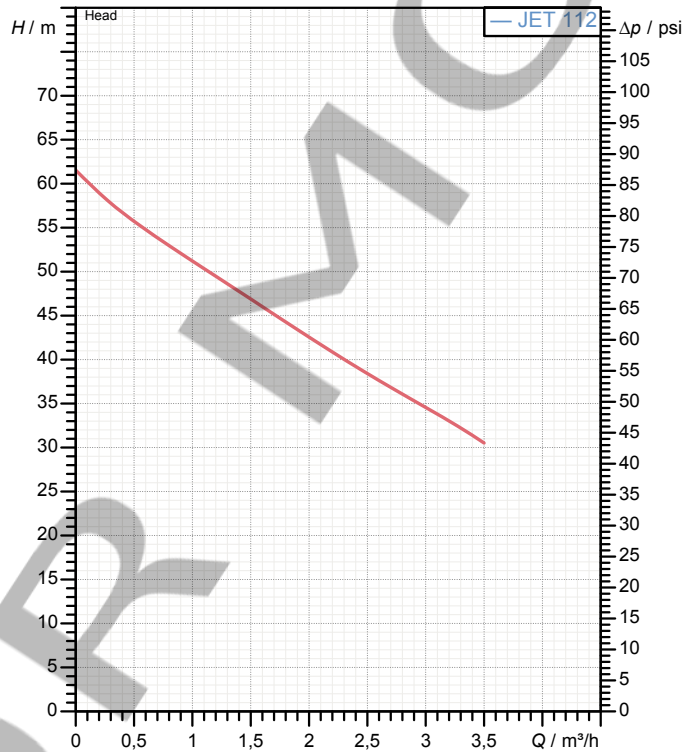
**Materials**

Pump body : Cast iron 200 UNI ISO 185  
Support : Die cast aluminium  
Impeller : Technopolymer A  
Mechanical seal : Carbon/Ceramic  
OR ring : NBR Rubber  
Shaft with rotor : AISI 416 X12 CrS 13 UNI 6900/71  
Nozzle venturi diffuser assembly : Technopolymer A

**Motor data**

Motor brand : DAB  
Nominal power P2 : 1 kW  
Rated speed : 2750 1/min  
Rated voltage : 1~ 220-240 V 50 Hz  
Nominal current : 6,2 A  
Degree of protection : IP 44

Curve tolerance according to ISO 9906



**Dimensions in mm**

A	414	DNA	1" G	G	111		
A1	409	DNM	1" G	H	203		
B	178	E	192	H3	144		
C	108	F	14	I Ø	9		

**Weight :** 13,5 kg

**Pump connection**

Suction side : 1" G / 6 bar (600 kPa)  
Discharge side : 1" G / 6 bar (600 kPa)



WATER • TECHNOLOGY

# PERFORMANCE CURVES

01/08/2015

Page 2 / 3

DAB PUMPS S.p.A.  
Via Marco Polo, 14 - 35035 Mestrino (PD), Italy  
Tel. +39 049 5125000 - Fax +39 049 5125950  
www.dabpumps.com

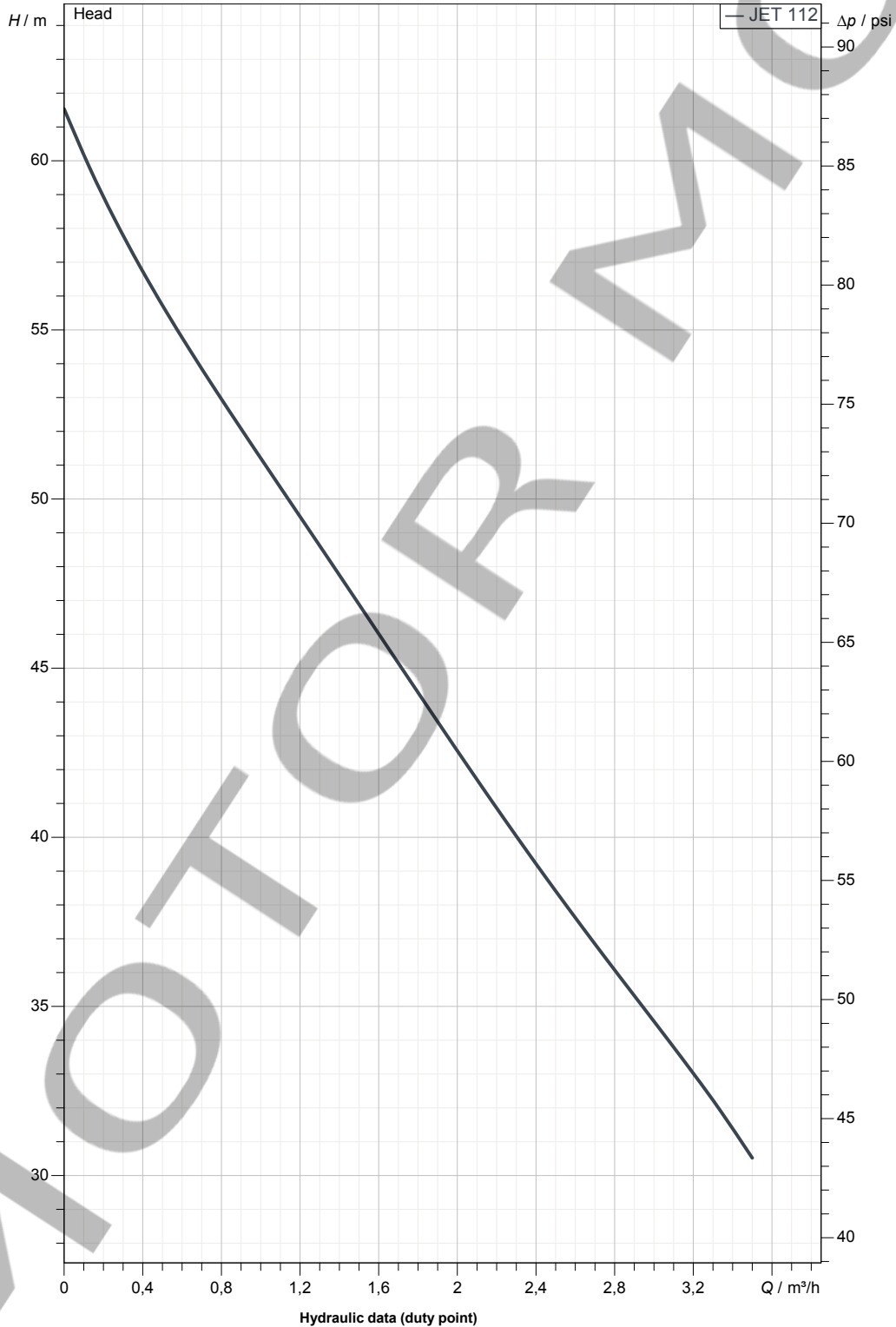
Receiver

From

Society  
Reference  
Address  
Phone  
Fax  
E-mail

## JET 112 M

Curve tolerance according to ISO 9906



Suction side :  
1" G  
6 bar (600 kPa)

Discharge side :  
1" G  
6 bar (600 kPa)

Flow :

Head :

Rated speed :  
2750 1/min

MAIN\_PROJECT\_TITLE

BUSINESS\_PROCESS\_IC

OWNER\_

ISSUE\_DATE



# DIMENSIONAL DRAWING

01/08/2015

Page 3 / 3

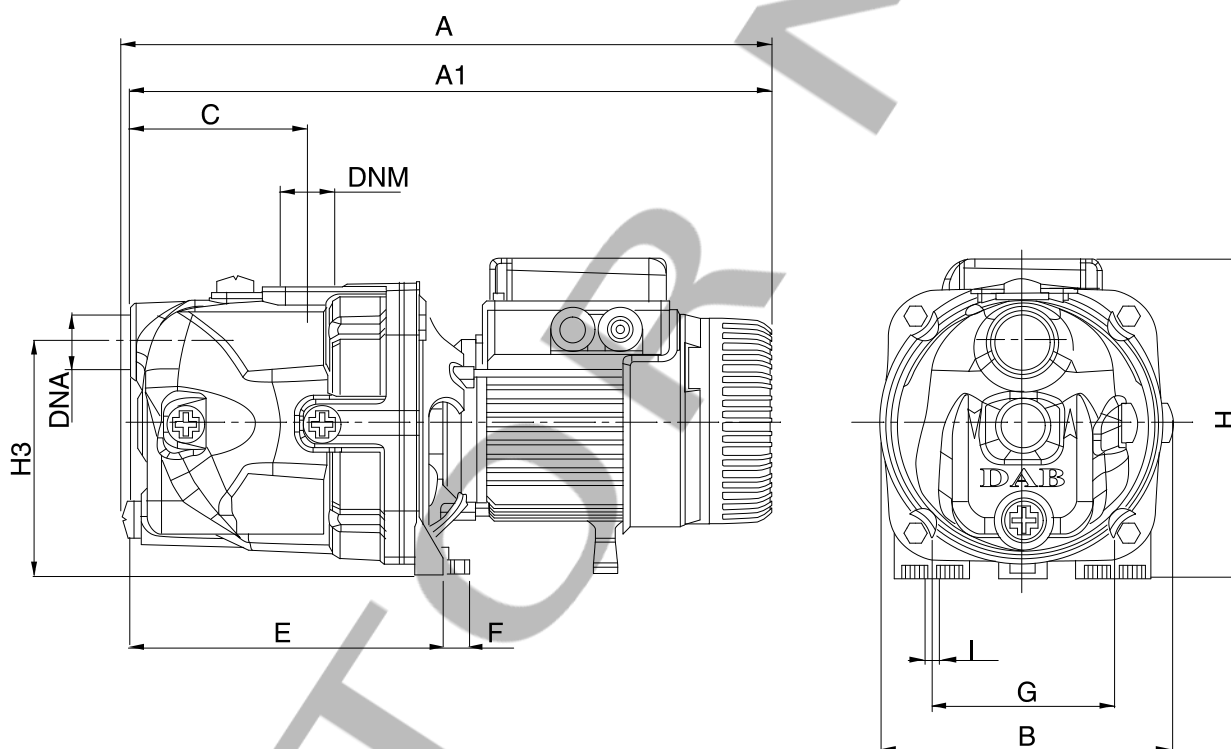
DAB PUMPS S.p.A.  
Via Marco Polo, 14 - 35035 Mestrino (PD), Italy  
Tel. +39 049 5125000 - Fax +39 049 5125950  
www.dabpumps.com

Receiver

From

Society  
Reference  
Address  
Phone  
Fax  
E-mail

## JET 112 M



### Dimensions in mm

### Pump connection

1	A	414
2	A1	409
3	B	178
4	C	108
5	DNA	1" G
6	DNM	1" G
7	E	192
8	F	14
9	G	111
10	H	203
11	H3	144
12	L	9

Suction  
1" G  
6 bar (600 kPa)

Discharge  
1" G  
6 bar (600 kPa)

MAIN\_PROJECT\_TITLE

BUSINESS\_PROCESS\_ID

OWNER\_

ISSUE\_DATE