

Receiver

From

Society
Reference
Address
Phone
Fax
E-mail

Item n° :

103000054

Model :

FEKA 600 T-NA

Pump data

Free passage : 25 mm

Pressure rating :

Min. fluid temperature : 0 °C

Max. fluid temperature : 35 °C

Max. Ambient temperature : 40 °C

Requested data

Flow :

Head :

Fluid : Dirty water

Fluid Temperature : 20 °C

Density : 998 kg/m³

Kinematic viscosity : 1 mm²/s

Vapor pressure :

Hydraulic data (duty point)

Flow :

Head :

Materials

Pump body Technopolymer

Impeller Technopolymer

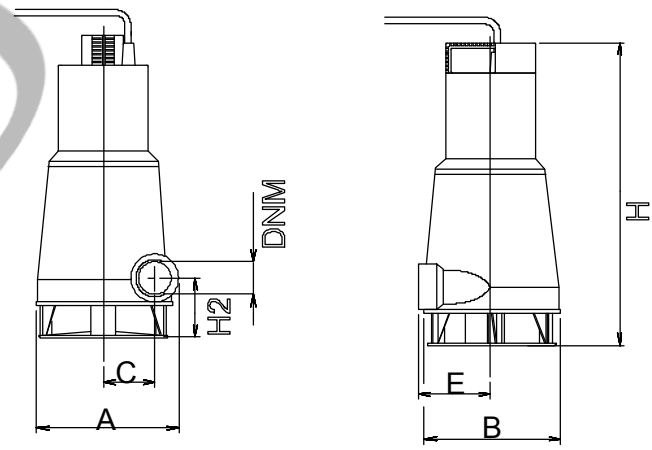
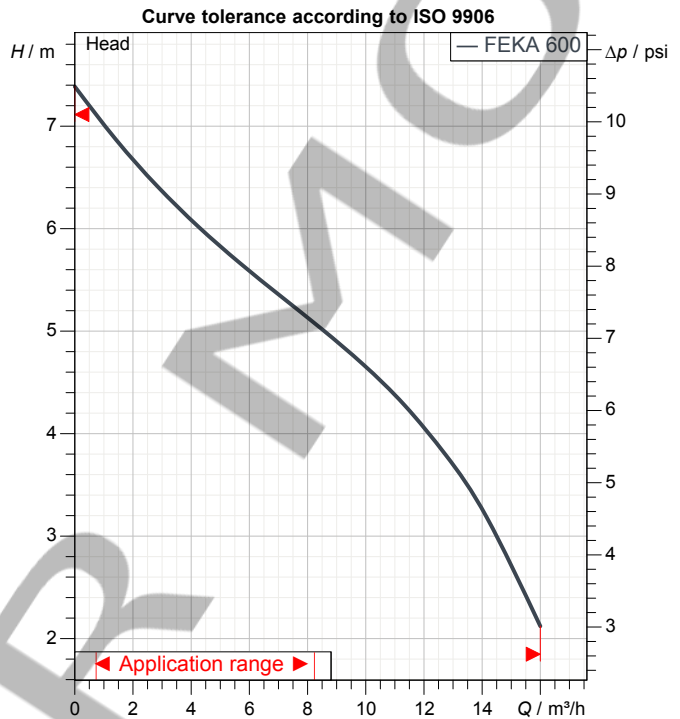
OR ring NBR Rubber

Motor top body AISI 304 X5 Cr Ni 1810 UNI 6900/71

Rotor shaft AISI 416 X12 CrS 13 UNI 6900/71

Seeger ring 12E - UNI 7435 STAINLESS

Suction strainer Technopolymer



Motor data

Weight : 6,7 kg

Motor brand : DAB

Nominal power P2 : 0,55 kW

Rated speed : 2850 1/min

Rated voltage : 3~ 400 V

50 Hz

Nominal current : 1,7 A

Degree of protection : IP 68

Dimensions in mm

A	162				
B	165				
C	56				
DNM	1" 1/4 G				
E	90				
H	365				
H2	70,5				

Pump connection

Suction side : /
Discharge side : 1" 1/4 G / --

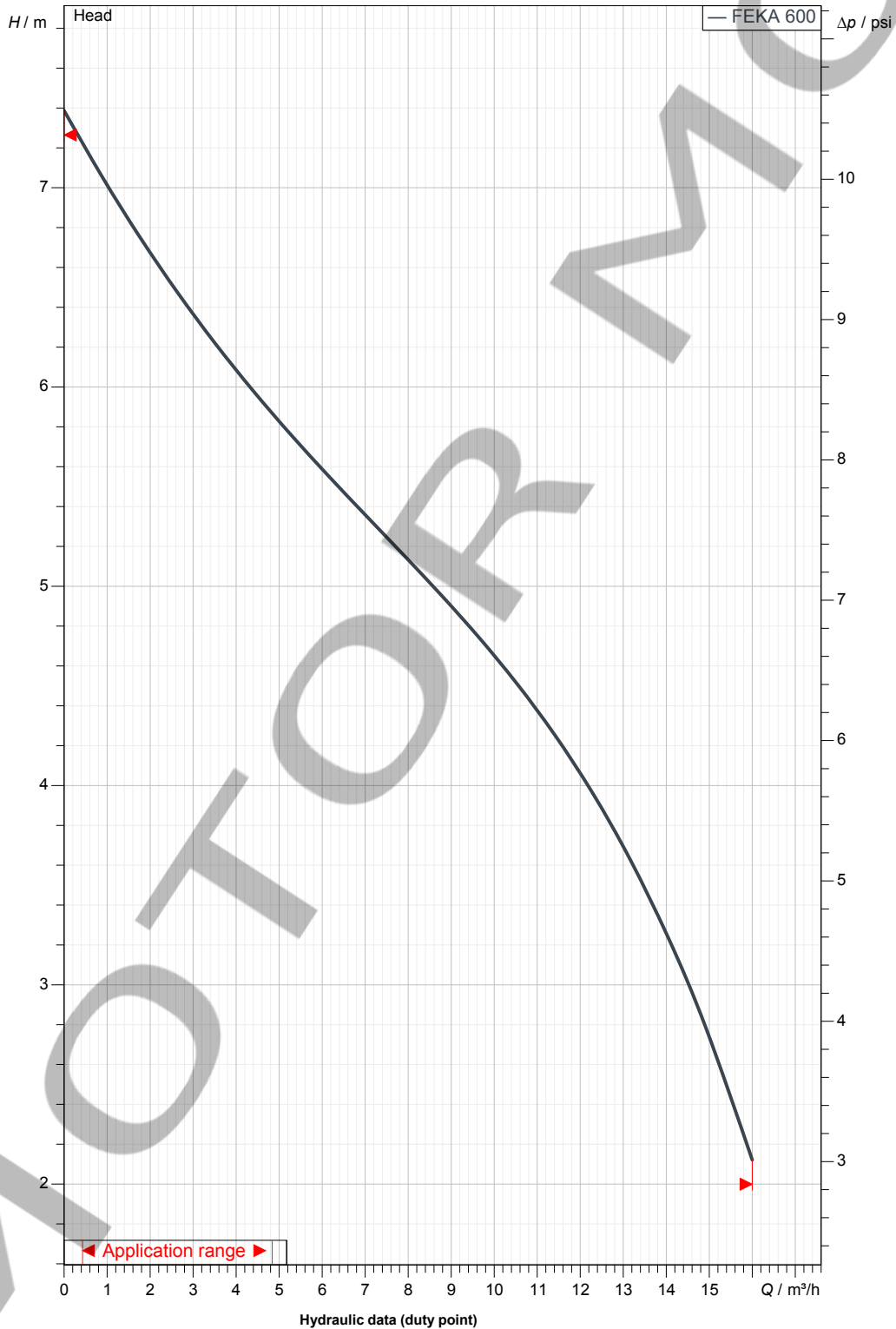
Receiver

From

Society
Reference
Address
Phone
Fax
E-mail

FEKA 600 T-NA

Curve tolerance according to ISO 9906



Suction side :

Discharge side :

Flow :

Head :

Rated speed :

1" 1/4 G

2850 1/min

--

MAIN_PROJECT_TITLE

BUSINESS_PROCESS_ID

OWNER_

ISSUE_DATE



DIMENSIONAL DRAWING

03/08/2015

Page 3 / 3

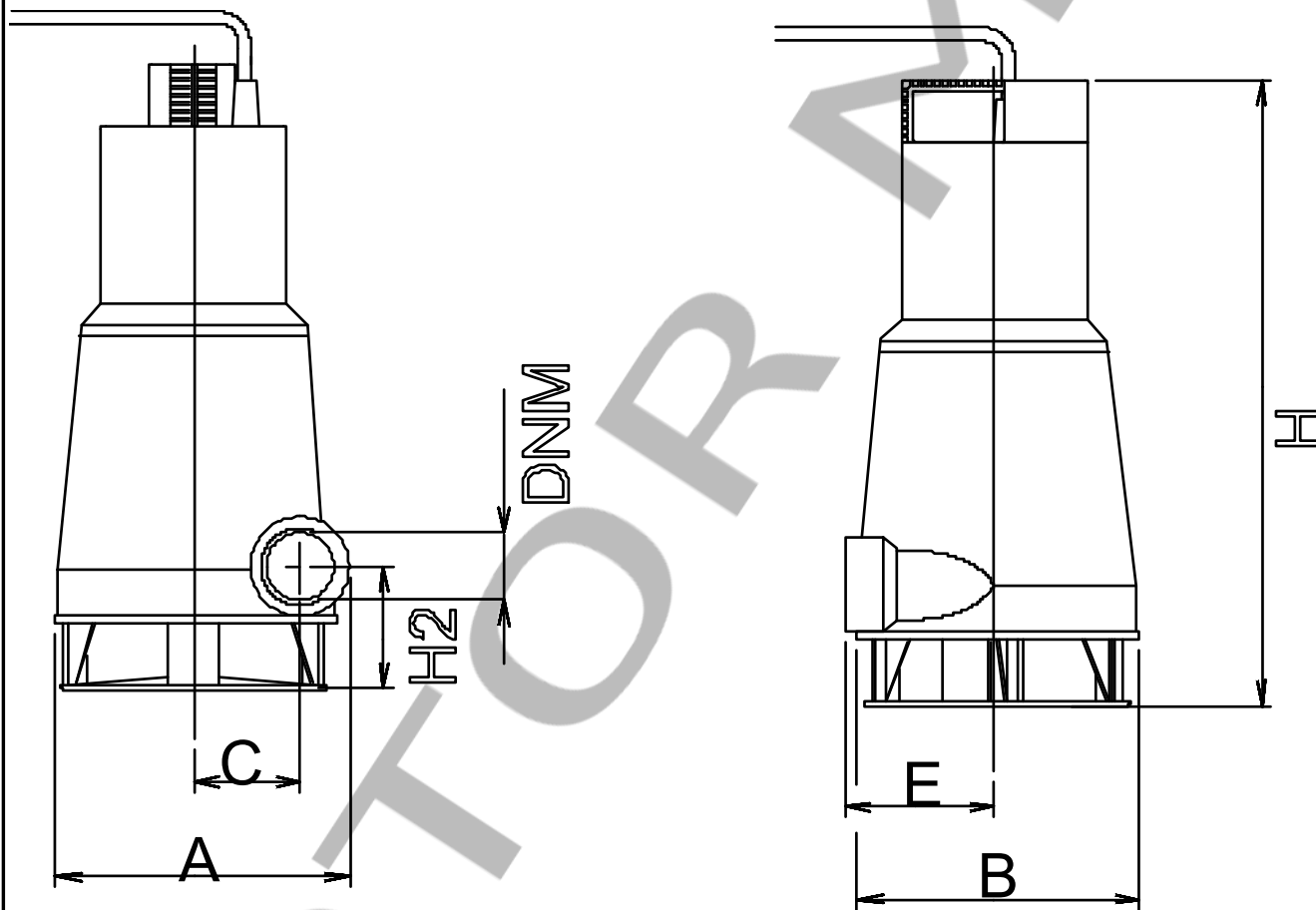
DAB PUMPS S.p.A.
Via Marco Polo, 14 - 35035 Mestrino (PD), Italy
Tel. +39 049 5125000 - Fax +39 049 5125950
www.dabpumps.com

Receiver

From

Society
Reference
Address
Phone
Fax
E-mail

FEKA 600 T-NA



Dimensions in mm			Pump connection			
1	A	162				Suction
2	B	165				
3	C	56				
4	DNM	1" 1/4 G				
5	E	90				Discharge
6	H	365				1" 1/4 G
7	H2	70,5				--

MAIN_PROJECT_TITLE	BUSINESS_PROCESS_ID	OWNER	ISSUE_DATE