

Receiver

From

Society
Reference
Address
Phone
Fax
E-mail

Item n° :

103022384

Model :

FEKA 600 M-NA

Pump data

Free passage : 25 mm

Pressure rating :

Min. fluid temperature : 0 °C

Max. fluid temperature : 35 °C

Max. Ambient temperature : 40 °C

Requested data

Flow :

Head :

Fluid : Dirty water

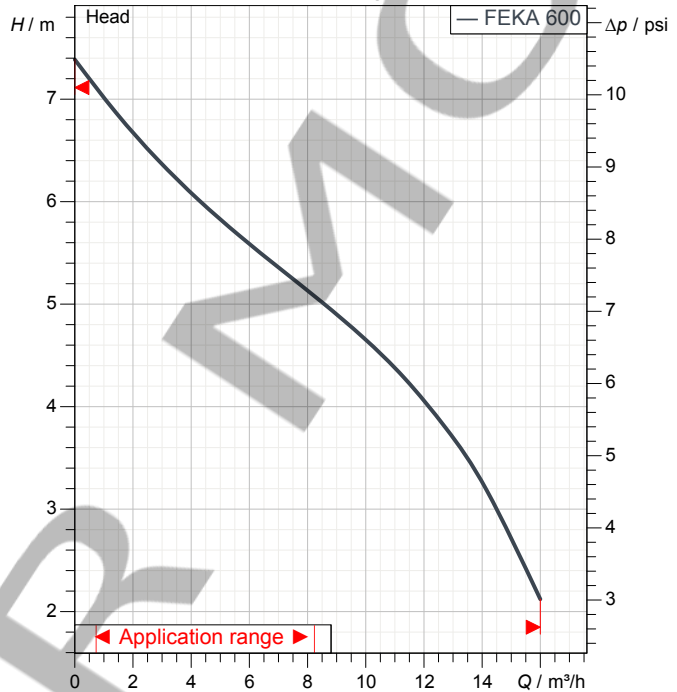
Fluid Temperature : 20 °C

Density : 998 kg/m³

Kinematic viscosity : 1 mm²/s

Vapor pressure :

Curve tolerance according to ISO 9906



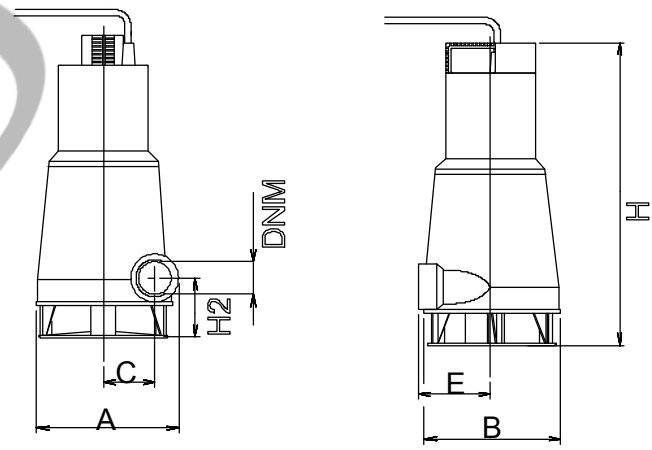
Hydraulic data (duty point)

Flow :

Head :

Materials

Pump body	Technopolymer
Impeller	Technopolymer
OR ring	NBR Rubber
Motor top body	AISI 304 X5 Cr Ni 1810 UNI 6900/71
Rotor shaft	AISI 416 X12 CrS 13 UNI 6900/71
Seeger ring	12E - UNI 7435 STAINLESS
Suction strainer	Technopolymer



Motor data

Weight : 6,7 kg

Motor brand :	DAB
Nominal power P2 :	0,55 kW
Rated speed :	2850 1/min
Rated voltage :	1~ 220-240 V
Nominal current :	4,3 A
Degree of protection :	IP 68

Dimensions in mm

A	162				
B	165				
C	56				
DNM	1" 1/4 G				
E	90				
H	365				
H2	70,5				

Pump connection

Suction side :	/
Discharge side :	1" 1/4 G / --



WATER • TECHNOLOGY

PERFORMANCE CURVES

03/08/2015

Page 2 / 3

DAB PUMPS S.p.A.
Via Marco Polo, 14 - 35035 Mestrino (PD), Italy
Tel. +39 049 5125000 - Fax +39 049 5125950
www.dabpumps.com

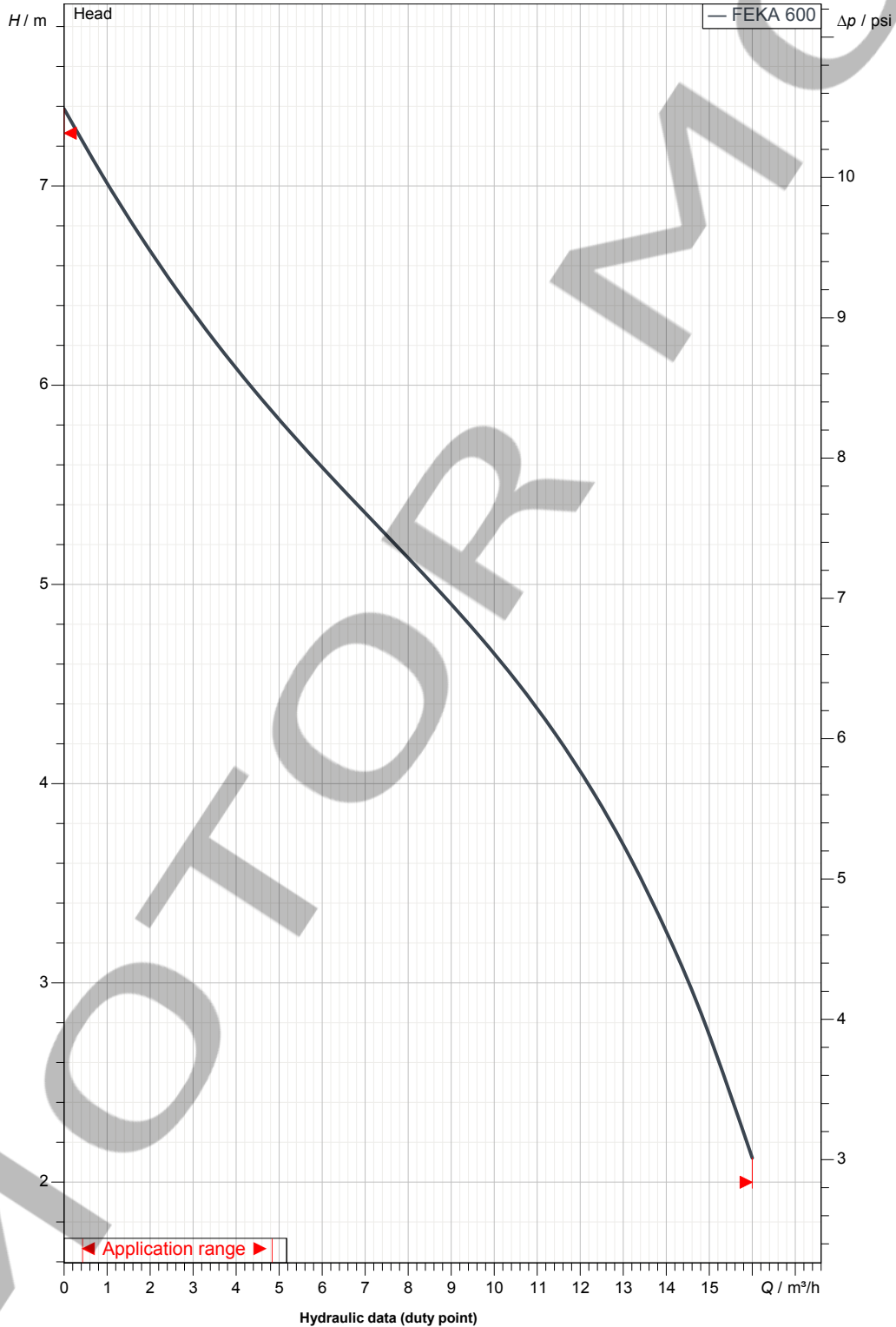
Receiver

From

Society
Reference
Address
Phone
Fax
E-mail

FEKA 600 M-NA

Curve tolerance according to ISO 9906



Suction side :

Discharge side :

Flow :

Head :

Rated speed :

1" 1/4 G
--

2850 1/min

MAIN_PROJECT_TITLE

BUSINESS_PROCESS_ID

OWNER_

ISSUE_DATE



DIMENSIONAL DRAWING

03/08/2015

Page 3 / 3

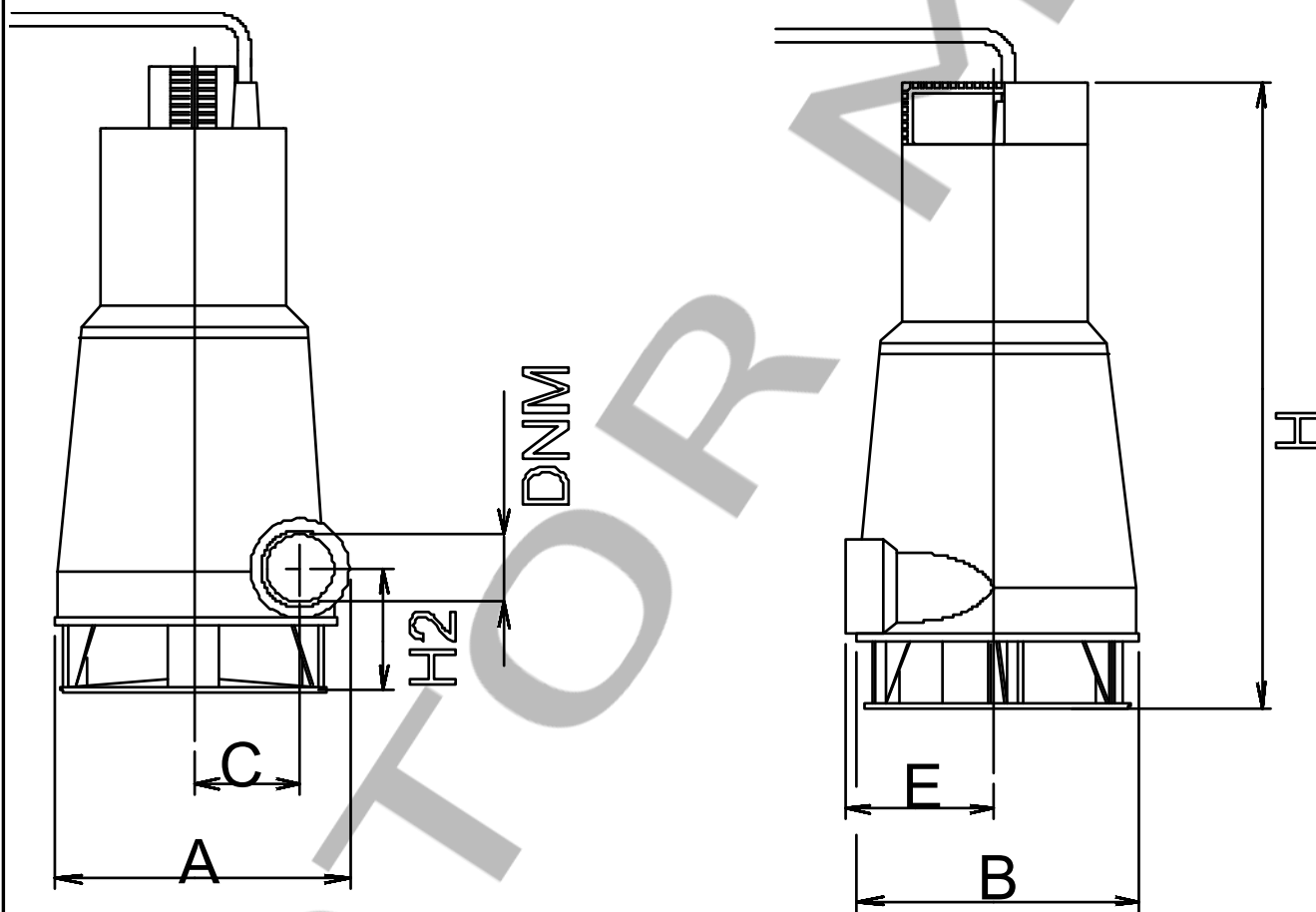
DAB PUMPS S.p.A.
Via Marco Polo, 14 - 35035 Mestrino (PD), Italy
Tel. +39 049 5125000 - Fax +39 049 5125950
www.dabpumps.com

Receiver

From

Society
Reference
Address
Phone
Fax
E-mail

FEKA 600 M-NA



Dimensions in mm

Pump connection

1	A	162								
2	B	165								Suction
3	C	56								
4	DNM	1" 1/4 G								
5	E	90								Discharge
6	H	365								1" 1/4 G
7	H2	70,5								--

MAIN_PROJECT_TITLE

BUSINESS_PROCESS_ID

OWNER

ISSUE_DATE