

Receiver
From

 Society
 Reference
 Address
 Phone
 Fax
 E-mail

Item n° :

102970090

Model :

EURO 40/50 T

Pump data

 Pressure rating : 8 bar (800 kPa)
 Min. fluid temperature : 0 °C
 Max. fluid temperature : 35 °C
 Max. Ambient temperature : 40 °C

Priming capacity :

| | | | | | | | | | |
|---|------|--|--|--|--|--|--|--|--|
| H | m | | | | | | | | |
| Q | m³/h | | | | | | | | |

Requested data

 Flow :
 Head :
 Fluid : Water
 Fluid Temperature : 20 °C
 Density : 998,3 kg/m³
 Kinematic viscosity : 1,005 mm²/s
 Vapor pressure :

Hydraulic data (duty point)

 Flow :
 Head :

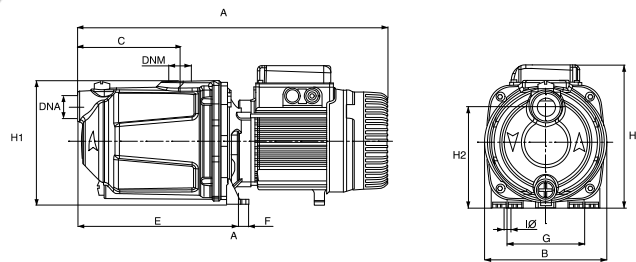
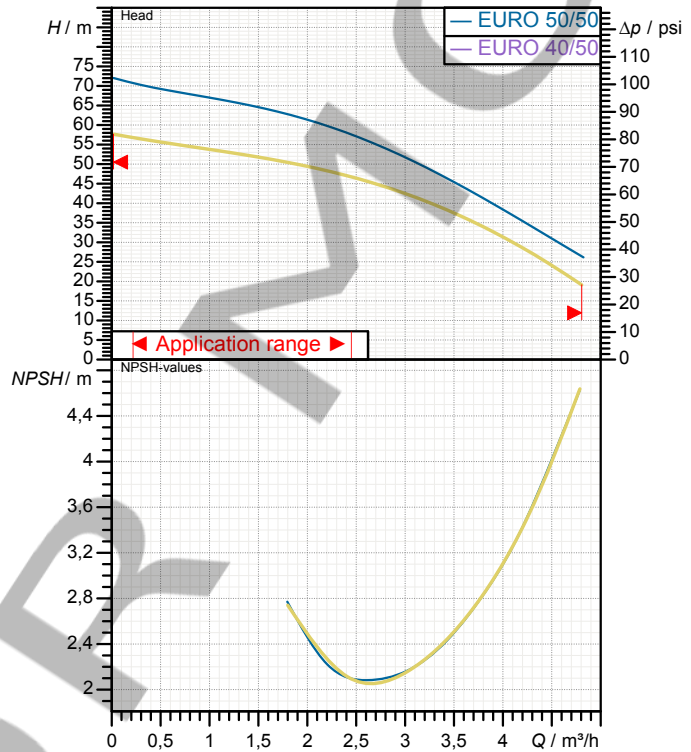
Materials

 Pump body : Cast iron 200 UNI ISO 185
 Impeller : Technopolymer
 Shaft with rotor : AISI 304 X5 Cr Ni 1810 UNI 6900/71
 OR ring : NBR
 Diffuser : Technopolymer
 Mechanical seal : Carbon/Ceramic
 Disc seal : AISI 304 X5 Cr Ni 1810 UNI 6900/71

Motor data

 Motor brand : DAB
 Nominal power P2 : 0,75 kW
 Rated speed : 2800 1/min
 Rated voltage : 3~ 230 V
 Nominal current : 3,8 A
 Degree of protection : IP 44

50 Hz

Curve tolerance according to ISO 9906

Dimensions in mm

| | | | | | | | |
|-----|------|-----|-------|--|--|--|--|
| B | 175 | G | 111 | | | | |
| DNA | 1"G | H1 | 179 | | | | |
| DNM | 1"G | H2 | 143,5 | | | | |
| F | 13,5 | I O | 9 | | | | |

Weight :
Pump connection

 Suction side : 1" G / 8 bar (800 kPa)
 Discharge side : 1" G / 8 bar (800 kPa)



PERFORMANCE CURVES

02/08/2015

Page 2 / 3

DAB PUMPS S.p.A.
Via Marco Polo, 14 - 35035 Mestrino (PD), Italy
Tel. +39 049 5125000 - Fax +39 049 5125950
www.dabpumps.com

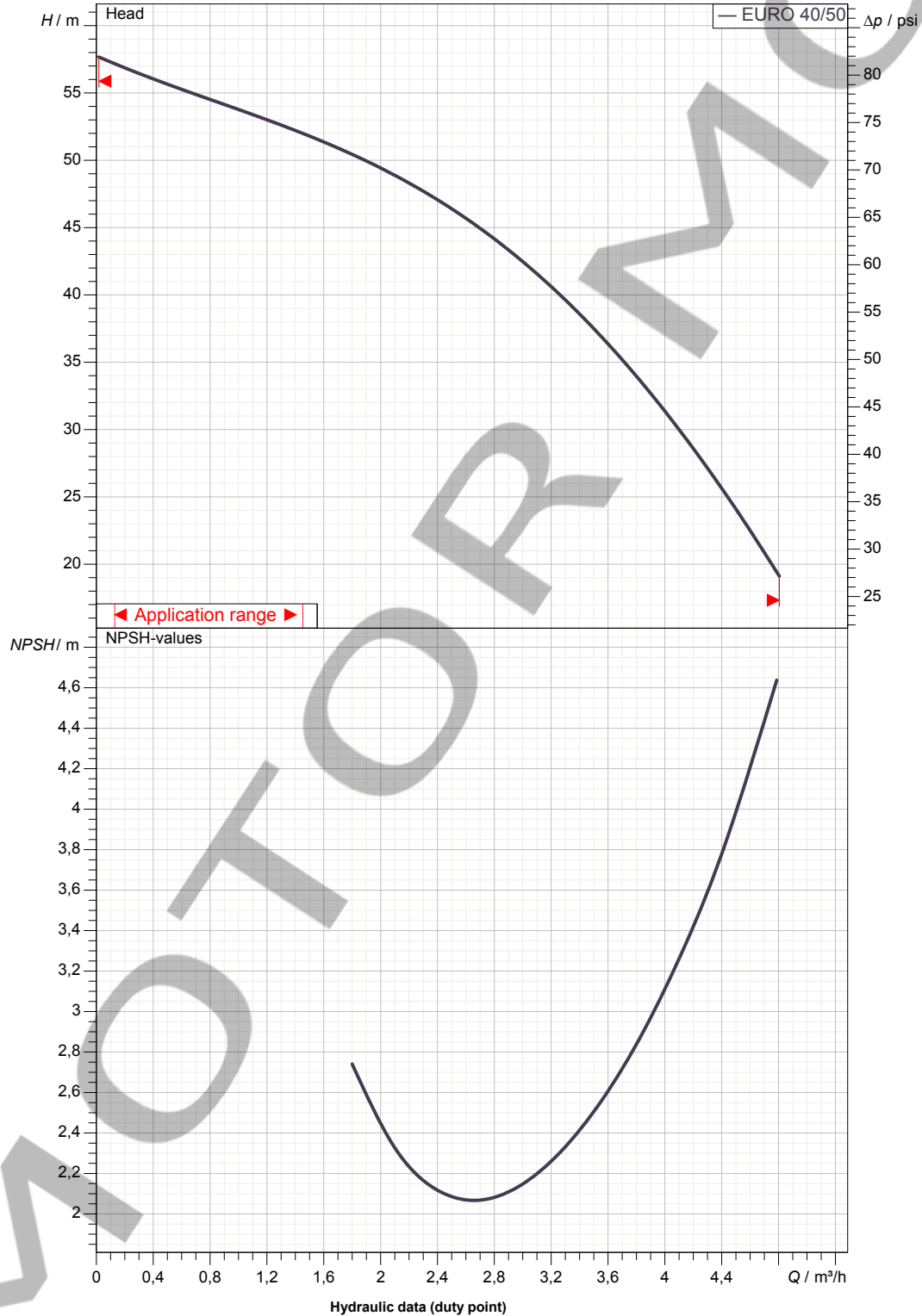
Receiver

From

Society
Reference
Address
Phone
Fax
E-mail

EURO 40/50 T

Curve tolerance according to ISO 9906



Suction side :
1" G
8 bar (800 kPa)

Discharge side :
1" G
8 bar (800 kPa)

Flow :

Head :

Rated speed :
2800 1/min

MAIN_PROJECT_TITLE

BUSINESS_PROCESS_IC

OWNER_

ISSUE_DATE



DIMENSIONAL DRAWING

02/08/2015

Page 3 / 3

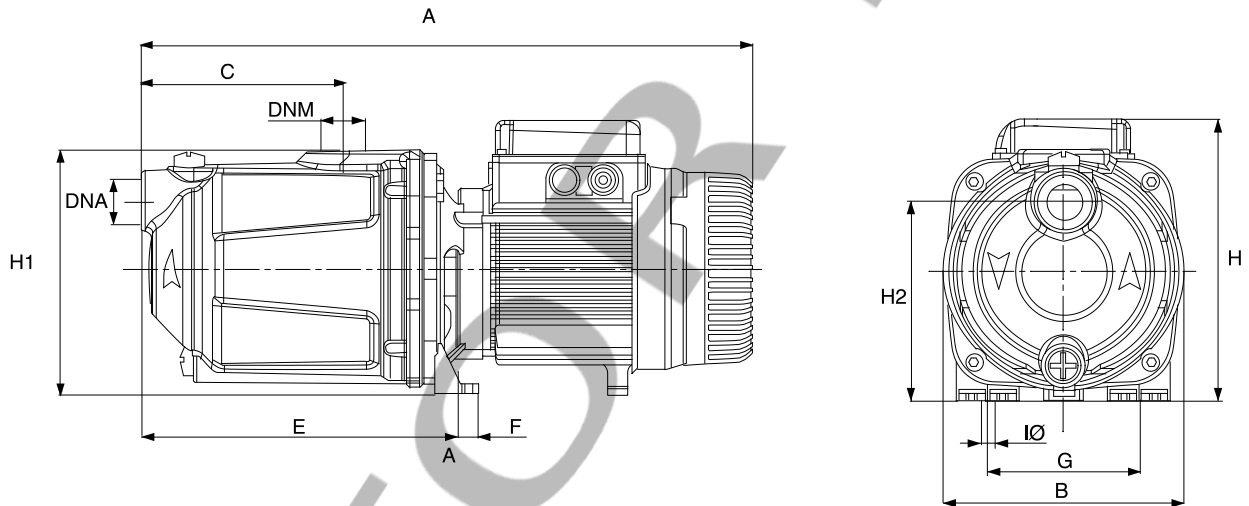
DAB PUMPS S.p.A.
Via Marco Polo, 14 - 35035 Mestrino (PD), Italy
Tel. +39 049 5125000 - Fax +39 049 5125950
www.dabpumps.com

Receiver

From

Society
Reference
Address
Phone
Fax
E-mail

EURO 40/50 T



Dimensions in mm

Pump connection

| | | | | | | | | | | |
|---|-----|-------|--|--|--|--|--|--|--|-----------------|
| 1 | B | 175 | | | | | | | | |
| 2 | DNA | 1" G | | | | | | | | Suction |
| 3 | DNM | 1" G | | | | | | | | 1" G |
| 4 | F | 13,5 | | | | | | | | 8 bar (800 kPa) |
| 5 | G | 111 | | | | | | | | Discharge |
| 6 | H1 | 179 | | | | | | | | 1" G |
| 7 | H2 | 143,5 | | | | | | | | 8 bar (800 kPa) |
| 8 | IO | 9 | | | | | | | | |

MAIN_PROJECT_TITLE

BUSINESS_PROCESS_ID

OWNER_

ISSUE_DATE