

**Receiver**

**From**

Society  
Reference  
Address  
Phone  
Fax  
E-mail

**Item n° :**

505969122

**Model :**

BPH 180/360.80 T

**Pump data**

Pressure rating : PN 10  
Min. fluid temperature : -10 °C  
Max. fluid temperature : 110 °C

**Minimum suction head :**

Temperature	°C	75	90	110	120
Minimum suction head :	m	7	11	18	--

**Requested data**

Flow :  
Head :  
Fluid (%) :  
Fluid Temperature : 20 °C  
Density : 998,3 kg/m³  
Kinematic viscosity : 1,005 mm²/s  
Vapor pressure :

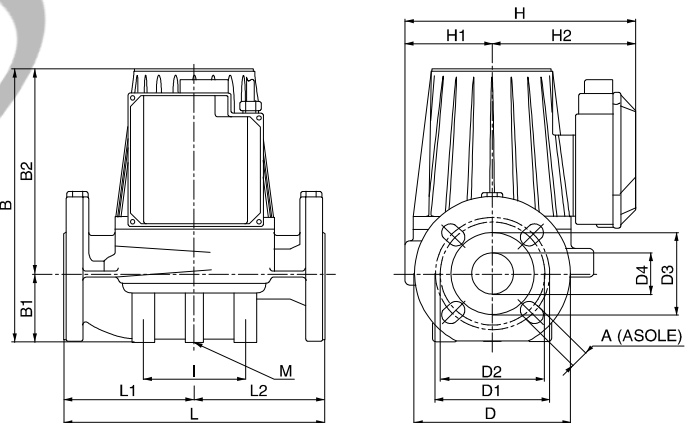
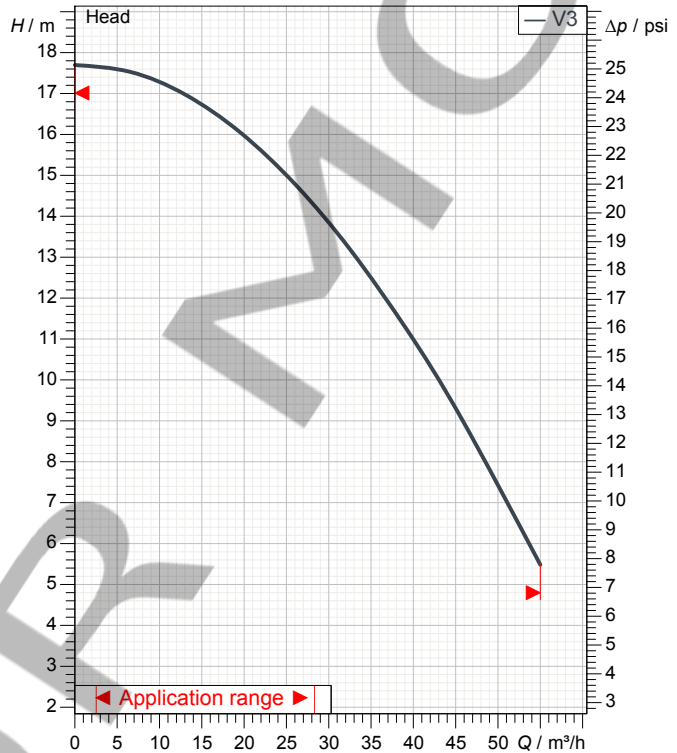
**Hydraulic data (duty point)**

Flow :  
Head :

**Materials**

Pump body	Cast iron 200 UNI ISO 185
Impeller	Technopolymer B
Motor shaft	AISI 420 C
Air vent plug	Brass P Cu Zn40 Pb2 UNI 5705
Seal ring	Ethylene propylene (EPDM)
Motor casing	Die cast aluminium
Stator jacket	AISI 321Bon. - AISI 304

**Curve tolerance according to ISO 9906**



**Motor data**

Motor brand : DAB  
Power input P1 : 2,309 kW  
Rated speed : 2780 1/min  
Rated voltage : 3~ 400 V 50 Hz  
Nominal current : 4 A  
Degree of protection : IP 44

**Dimensions in mm**

A	18	D1	160	H1	100	I3	-
B	404	D2	150	H2	159	L	360
B1	97	D3	130	I	115	L1	170
B2	307	D4	80	I1	-	L2	190
D	200	H	259	I2	-	M	M12

**Weight :** 40 kg

**Pump connection**

Suction side : DN 80 / PN 10  
Discharge side : DN 80 / PN 10

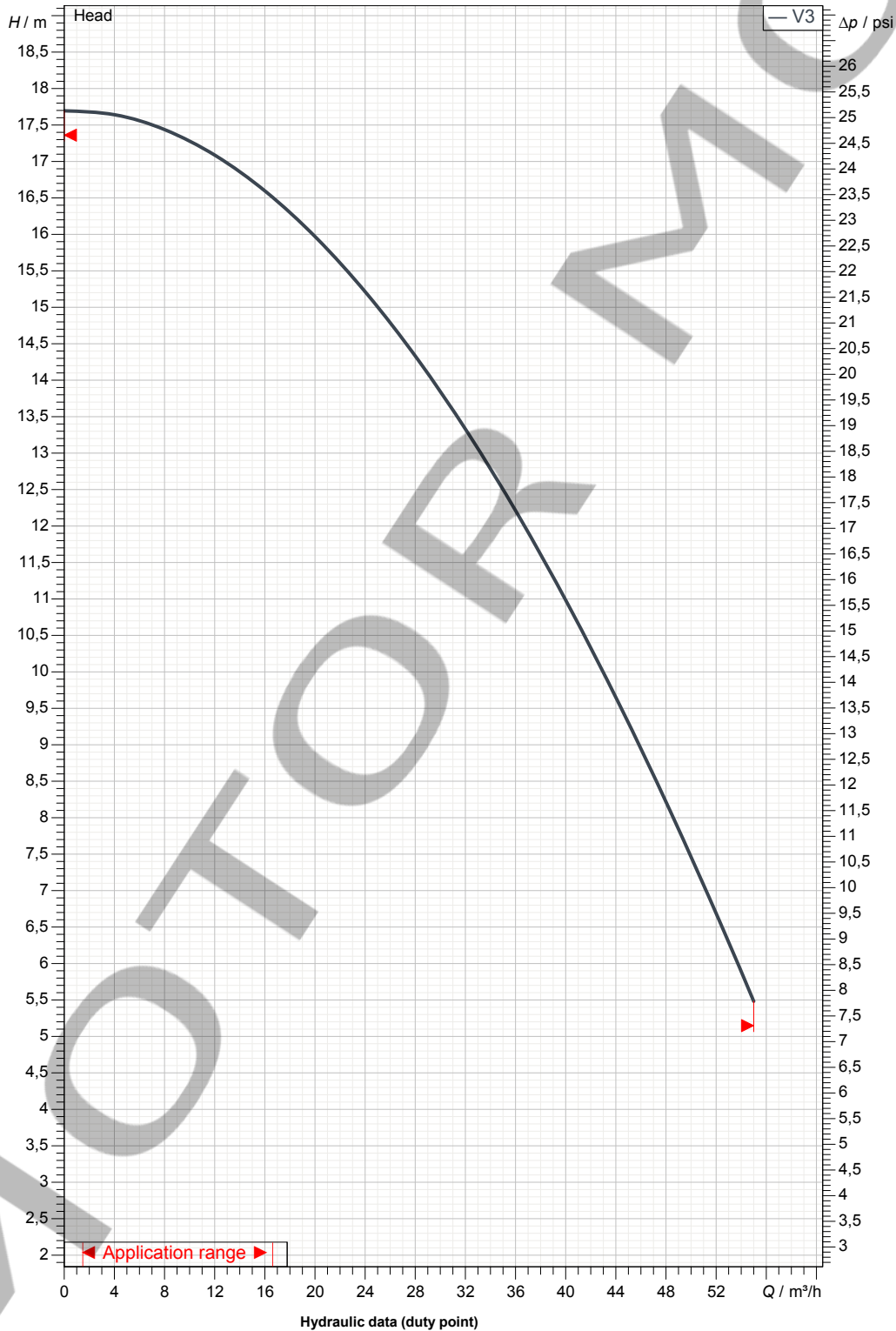
Receiver

From

Society  
Reference  
Address  
Phone  
Fax  
E-mail

## BPH 180/360.80 T

Curve tolerance according to ISO 9906



Suction side :  
DN 80  
PN 10

Discharge side :  
DN 80  
PN 10

Flow :

Head :

Rated speed :  
2780 1/min

MAIN\_PROJECT\_TITLE

BUSINESS\_PROCESS\_IC

OWNER\_

ISSUE\_DATE



# DIMENSIONAL DRAWING

31/07/2015

Page 3 / 3

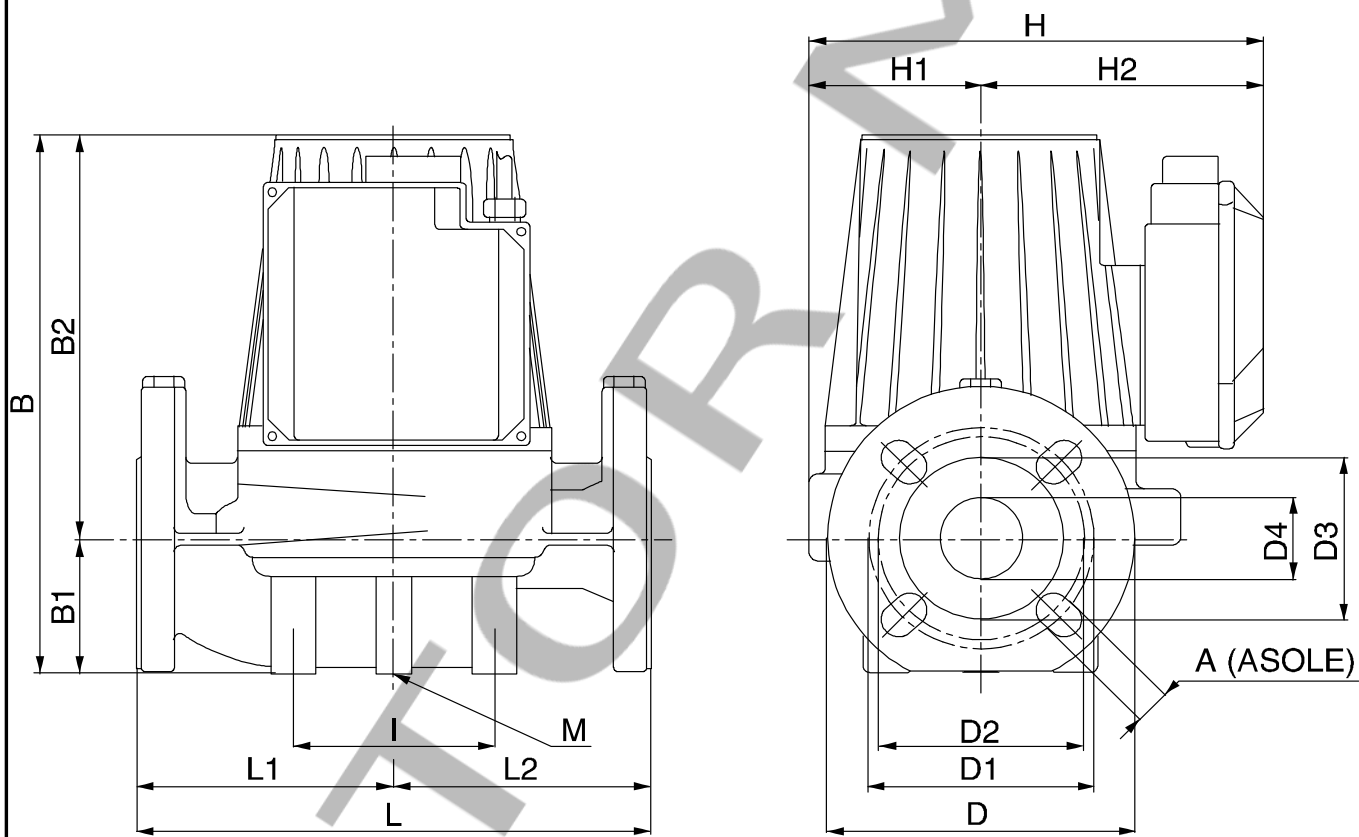
DAB PUMPS S.p.A.  
Via Marco Polo, 14 - 35035 Mestrino (PD), Italy  
Tel. +39 049 5125000 - Fax +39 049 5125950  
www.dabpumps.com

Receiver

From

Society  
Reference  
Address  
Phone  
Fax  
E-mail

## BPH 180/360.80 T



Dimensions in mm					Pump connection	
1	A	18	I	115	Suction DN 80 PN 10  Discharge DN 80 PN 10	
2	B	404	I1	-		
3	B1	97	I2	-		
4	B2	307	I3	-		
5	D	200	L	360		
6	D1	160	L1	170		
7	D2	150	L2	190		
8	D3	130	M	M12		
9	D4	80				
10	H	259				
11	H1	100				
12	H2	159				

MAIN_PROJECT_TITLE	BUSINESS_PROCESS_ID	OWNER	ISSUE_DATE