

Receiver

From

Society
Reference
Address
Phone
Fax
E-mail

Item n° :

505948622

Model :

BPH 150/340.65 T

Pump data

Pressure rating : PN 10
Min. fluid temperature : -10 °C
Max. fluid temperature : 110 °C

Minimum suction head :

Temperature	°C	75	90	110	120
Minimum suction head :	m	7	11	18	--

Requested data

Flow :
Head :
Fluid (%) :
Fluid Temperature : 20 °C
Density : 998,3 kg/m³
Kinematic viscosity : 1,005 mm²/s
Vapor pressure :

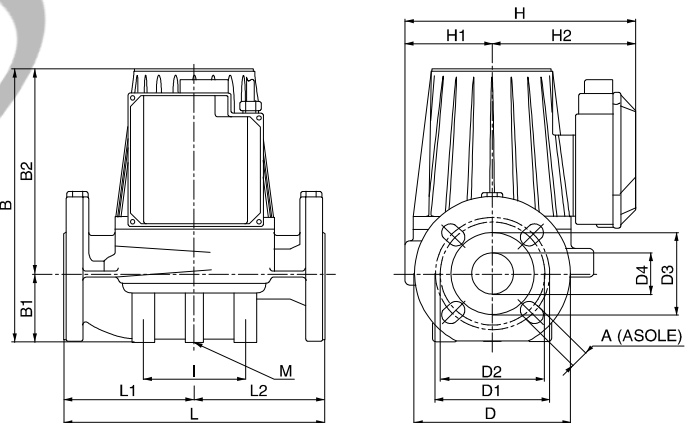
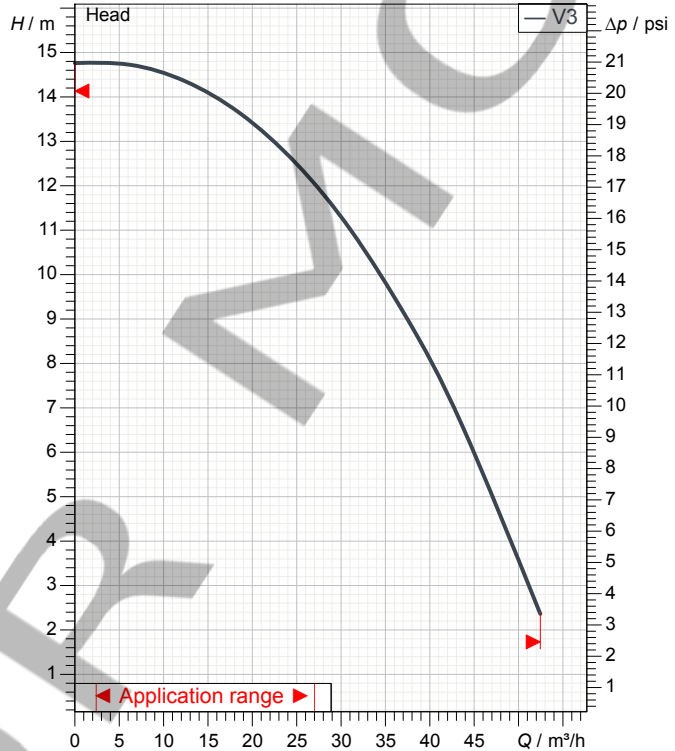
Hydraulic data (duty point)

Flow :
Head :

Materials

Pump body	Cast iron 200 UNI ISO 185
Impeller	Technopolymer B
Motor shaft	AISI 420 C
Air vent plug	Brass P Cu Zn40 Pb2 UNI 5705
Seal ring	Ethylene propylene (EPDM)
Motor casing	Die cast aluminium
Stator jacket	AISI 321Bon. - AISI 304

Curve tolerance according to ISO 9906



Motor data

Motor brand :	DAB	
Power input P1 :	1,796 kW	
Rated speed :	2800 1/min	
Rated voltage :	3~ 400 V	50 Hz
Nominal current :	3,25 A	
Degree of protection :	IP 44	

Dimensions in mm

A	18	D1	145	H1	100	I3	-
B	384	D2	130	H2	159	L	340
B1	82	D3	110	I	100	L1	170
B2	302	D4	65	I1	-	L2	170
D	185	H	259	I2	-	M	M12

Weight : 32,5 kg

Pump connection

Suction side : DN 65 / PN 10
Discharge side : DN 65 / PN 10



PERFORMANCE CURVES

DAB PUMPS S.p.A.
Via Marco Polo, 14 - 35035 Mestrino (PD), Italy
Tel. +39 049 5125000 - Fax +39 049 5125950
www.dabpumps.com

31/07/2015

Page 2 / 3

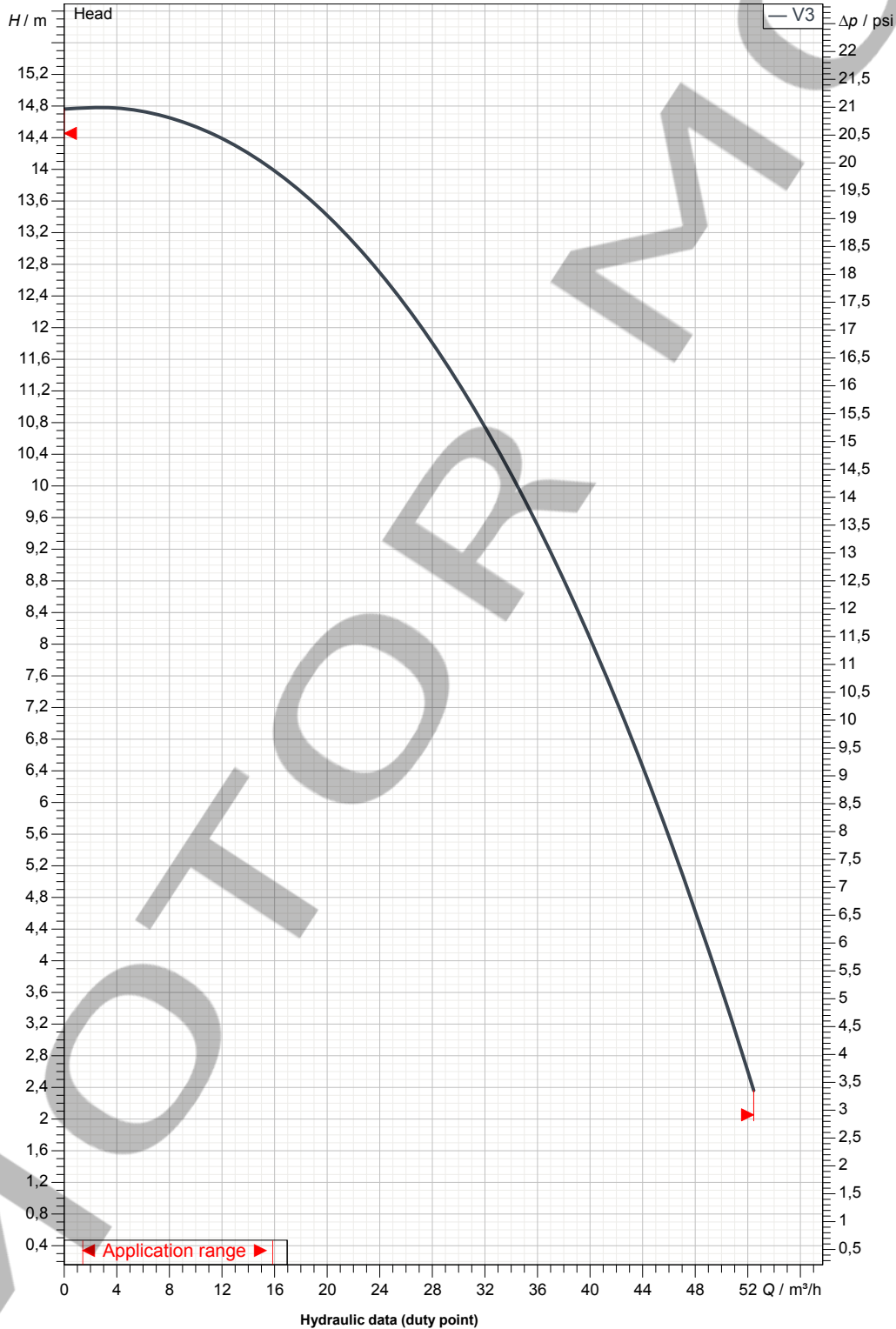
Receiver

From

Society
Reference
Address
Phone
Fax
E-mail

BPH 150/340.65 T

Curve tolerance according to ISO 9906



Suction side :
DN 65
PN 10

Discharge side :
DN 65
PN 10

Flow :

Head :

Rated speed :
2800 1/min

MAIN_PROJECT_TITLE

BUSINESS_PROCESS_IC

OWNER_

ISSUE_DATE



DIMENSIONAL DRAWING

31/07/2015

Page 3 / 3

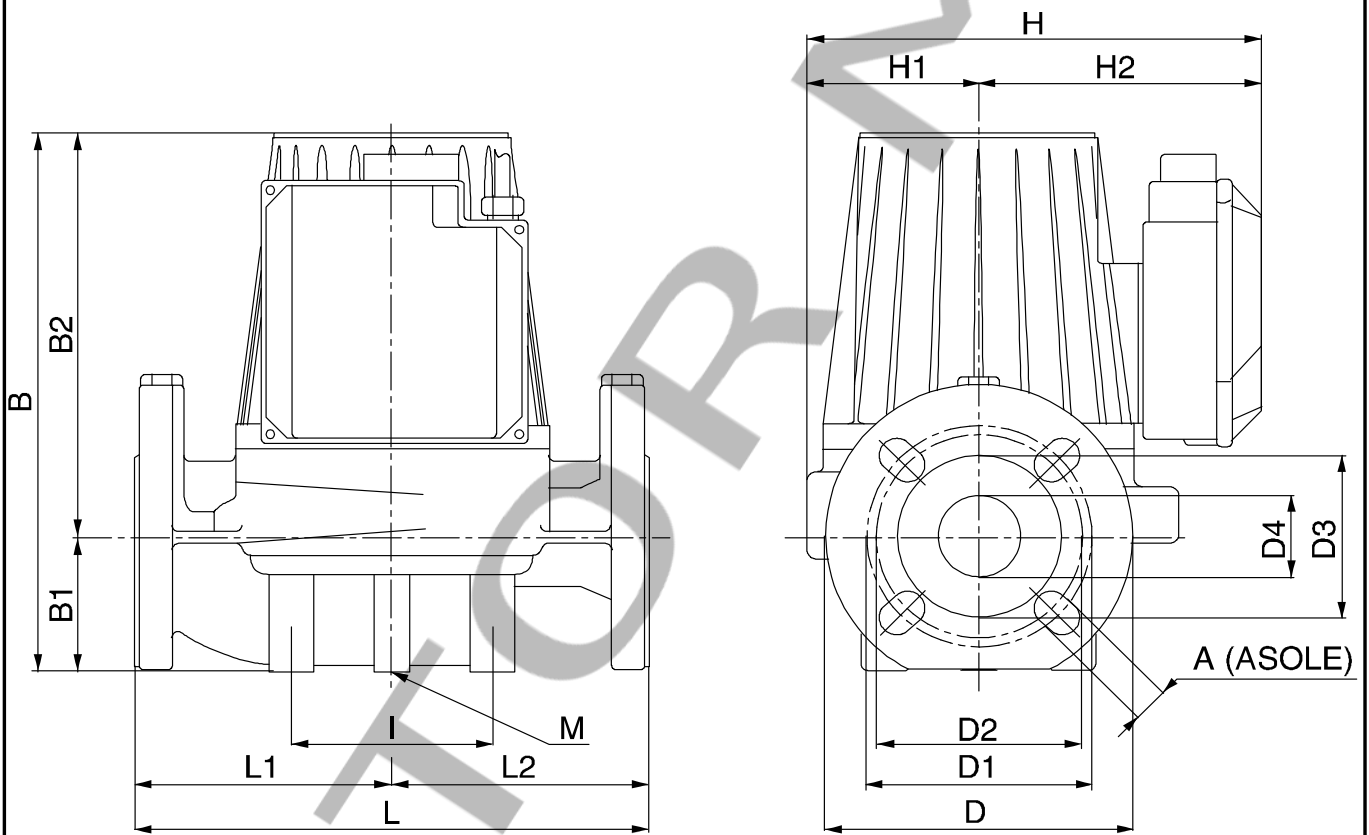
DAB PUMPS S.p.A.
Via Marco Polo, 14 - 35035 Mestrino (PD), Italy
Tel. +39 049 5125000 - Fax +39 049 5125950
www.dabpumps.com

Receiver

From

Society
Reference
Address
Phone
Fax
E-mail

BPH 150/340.65 T



Dimensions in mm				Pump connection	
1	A	18	I	100	Suction DN 65 PN 10
2	B	384	I1	-	
3	B1	82	I2	-	
4	B2	302	I3	-	Discharge DN 65 PN 10
5	D	185	L	340	
6	D1	145	L1	170	
7	D2	130	L2	170	
8	D3	110	M	M12	
9	D4	65			
10	H	259			
11	H1	100			
12	H2	159			

MAIN_PROJECT_TITLE	BUSINESS_PROCESS_ID	OWNER	ISSUE_DATE