

**Receiver**

**From**

Society  
Reference  
Address  
Phone  
Fax  
E-mail

**Item n° :**

505928622

**Model :**

BPH 150/280.50 T

**Pump data**

Pressure rating : PN 10  
Min. fluid temperature : -10 °C  
Max. fluid temperature : 120 °C

**Minimum suction head :**

Temperature	°C	75	90	110	120
Minimum suction head :	m	2	5	--	20

**Requested data**

Flow :  
Head :  
Fluid (%) :  
Fluid Temperature : 20 °C  
Density : 998,3 kg/m³  
Kinematic viscosity : 1,005 mm²/s  
Vapor pressure :

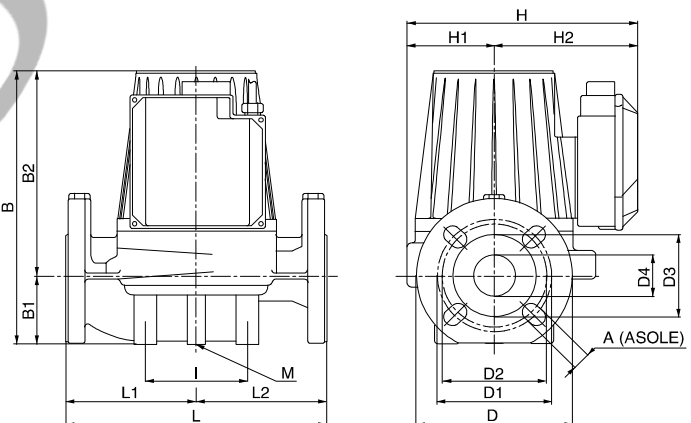
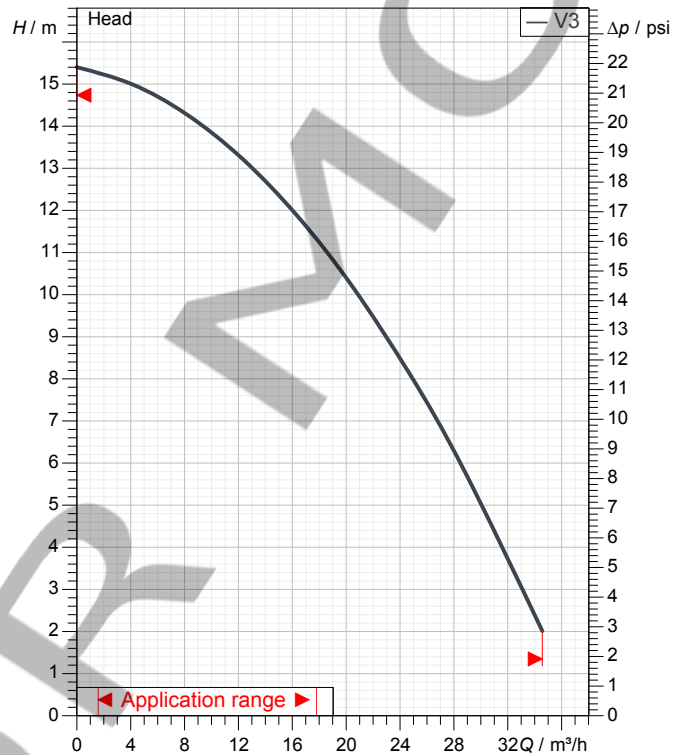
**Hydraulic data (duty point)**

Flow :  
Head :

**Materials**

Pump body	Cast iron 200 UNI ISO 185
Impeller	Technopolymer B
Motor shaft	AISI 420 C
Air vent plug	Brass P Cu Zn40 Pb2 UNI 5705
Seal ring	Ethylene propylene (EPDM)
Motor casing	Die cast aluminium
Stator jacket	AISI 321Bon. - AISI 304

**Curve tolerance according to ISO 9906**



**Motor data**

Motor brand : DAB  
Power input P1 : 1,469 kW  
Rated speed : 2850 1/min  
Rated voltage : 3~ 400 V 50 Hz  
Nominal current : 2,9 A  
Degree of protection : IP 44

**Dimensions in mm**

A	18	D1	125	H1	96	I3	-
B	362	D2	110	H2	158	L	280
B1	73	D3	90	I	100	L1	140
B2	289	D4	50	I1	-	L2	140
D	165	H	254	I2	-	M	M10

**Weight :** 26 kg

**Pump connection**

Suction side : DN 50 / PN 10  
Discharge side : DN 50 / PN 10

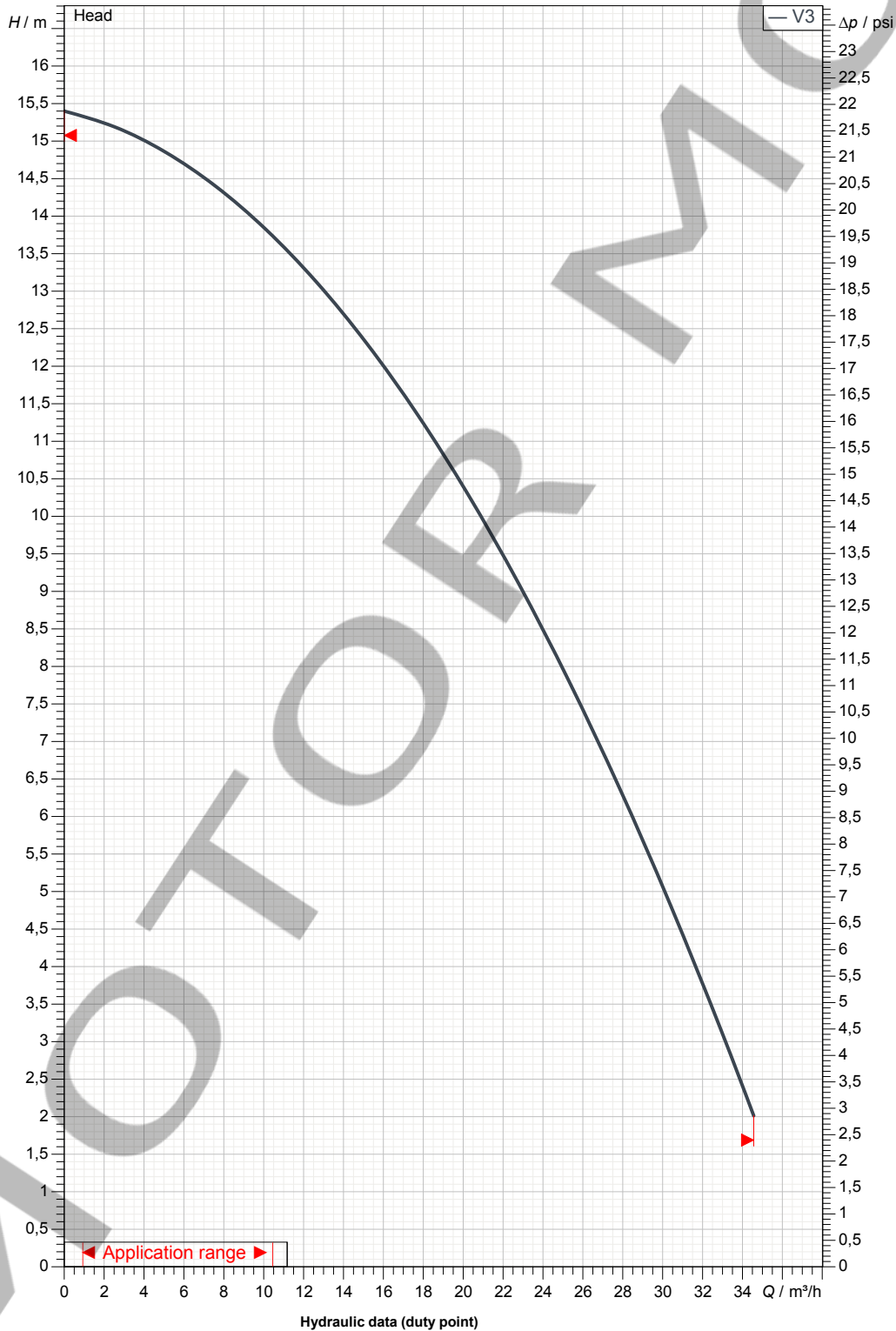
Receiver

From

Society  
Reference  
Address  
Phone  
Fax  
E-mail

## BPH 150/280.50 T

Curve tolerance according to ISO 9906



Suction side :  
DN 50  
PN 10

Discharge side :  
DN 50  
PN 10

Flow :

Head :

Rated speed :  
2850 1/min

MAIN\_PROJECT\_TITLE

BUSINESS\_PROCESS\_IC

OWNER\_

ISSUE\_DATE



# DIMENSIONAL DRAWING

DAB PUMPS S.p.A.  
Via Marco Polo, 14 - 35035 Mestrino (PD), Italy  
Tel. +39 049 5125000 - Fax +39 049 5125950  
www.dabpumps.com

31/07/2015

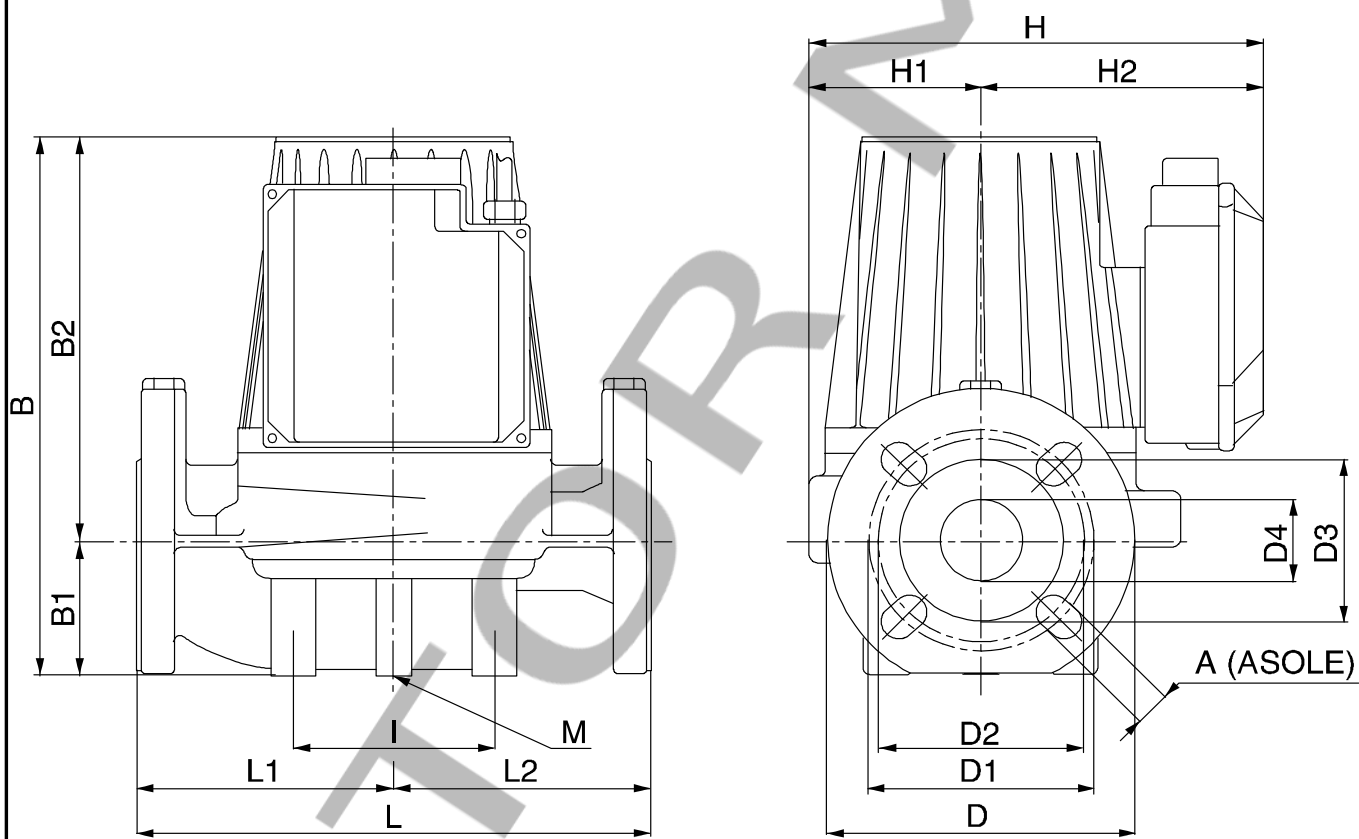
Page 3 / 3

Receiver

From

Society  
Reference  
Address  
Phone  
Fax  
E-mail

## BPH 150/280.50 T



Dimensions in mm				Pump connection	
1	A	18	I	100	Suction DN 50 PN 10
2	B	362	I1	-	
3	B1	73	I2	-	
4	B2	289	I3	-	Discharge DN 50 PN 10
5	D	165	L	280	
6	D1	125	L1	140	
7	D2	110	L2	140	
8	D3	90	M	M10	
9	D4	50			
10	H	254			
11	H1	96			
12	H2	158			

MAIN_PROJECT_TITLE	BUSINESS_PROCESS_ID	OWNER	ISSUE_DATE