

Receiver

From

Society
Reference
Address
Phone
Fax
E-mail

Item n° :

505927002

Model :

BPH 120/280.50 M

Pump data

Pressure rating : PN 10
Min. fluid temperature : -10 °C
Max. fluid temperature : 90 °C

Minimum suction head :

Temperature	°C	75	90	110	120
Minimum suction head :	m	2	5	--	20

Requested data

Flow :
Head :
Fluid (%) :
Fluid Temperature : 20 °C
Density : 998,3 kg/m³
Kinematic viscosity : 1,005 mm²/s
Vapor pressure :

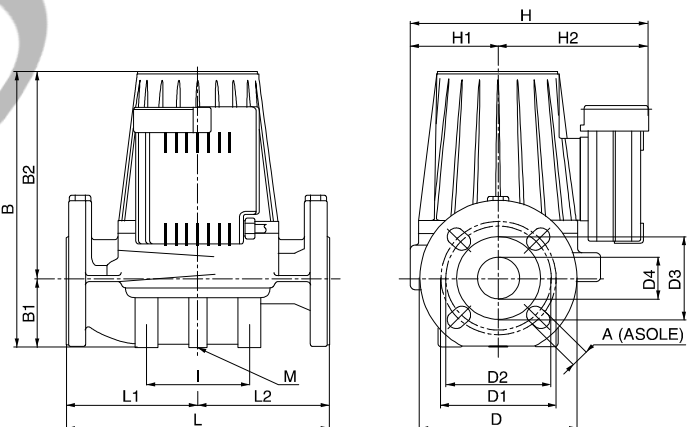
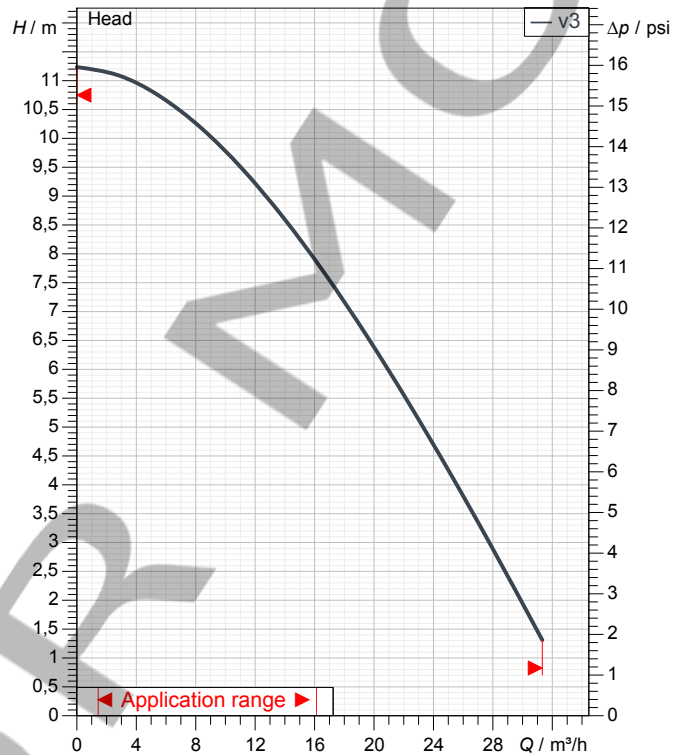
Hydraulic data (duty point)

Flow :
Head :

Materials

Pump body	Cast iron 200 UNI ISO 185
Impeller	Technopolymer B
Motor shaft	AISI 420 C
Air vent plug	Brass P Cu Zn40 Pb2 UNI 5705
Seal ring	Ethylene propylene (EPDM)
Motor casing	Die cast aluminium
Stator jacket	AISI 321Bon. - AISI 304

Curve tolerance according to ISO 9906



Motor data

Motor brand : DAB
Power input P1 : 0,87 kW
Rated speed : 2690 1/min
Rated voltage : 1~ 230 V 50 Hz
Nominal current : 3,97 A
Degree of protection : IP 44

Dimensions in mm

A	18	D1	125	H1	96	I3	-
B	312	D2	110	H2	158	L	280
B1	73	D3	90	I	100	L1	140
B2	239	D4	50	I1	-	L2	140
D	165	H	254	I2	-	M	M10

Weight : 24 kg

Pump connection

Suction side : DN 50 / PN 10
Discharge side : DN 50 / PN 10



PERFORMANCE CURVES

31/07/2015

Page 2 / 3

DAB PUMPS S.p.A.
Via Marco Polo, 14 - 35035 Mestrino (PD), Italy
Tel. +39 049 5125000 - Fax +39 049 5125950
www.dabpumps.com

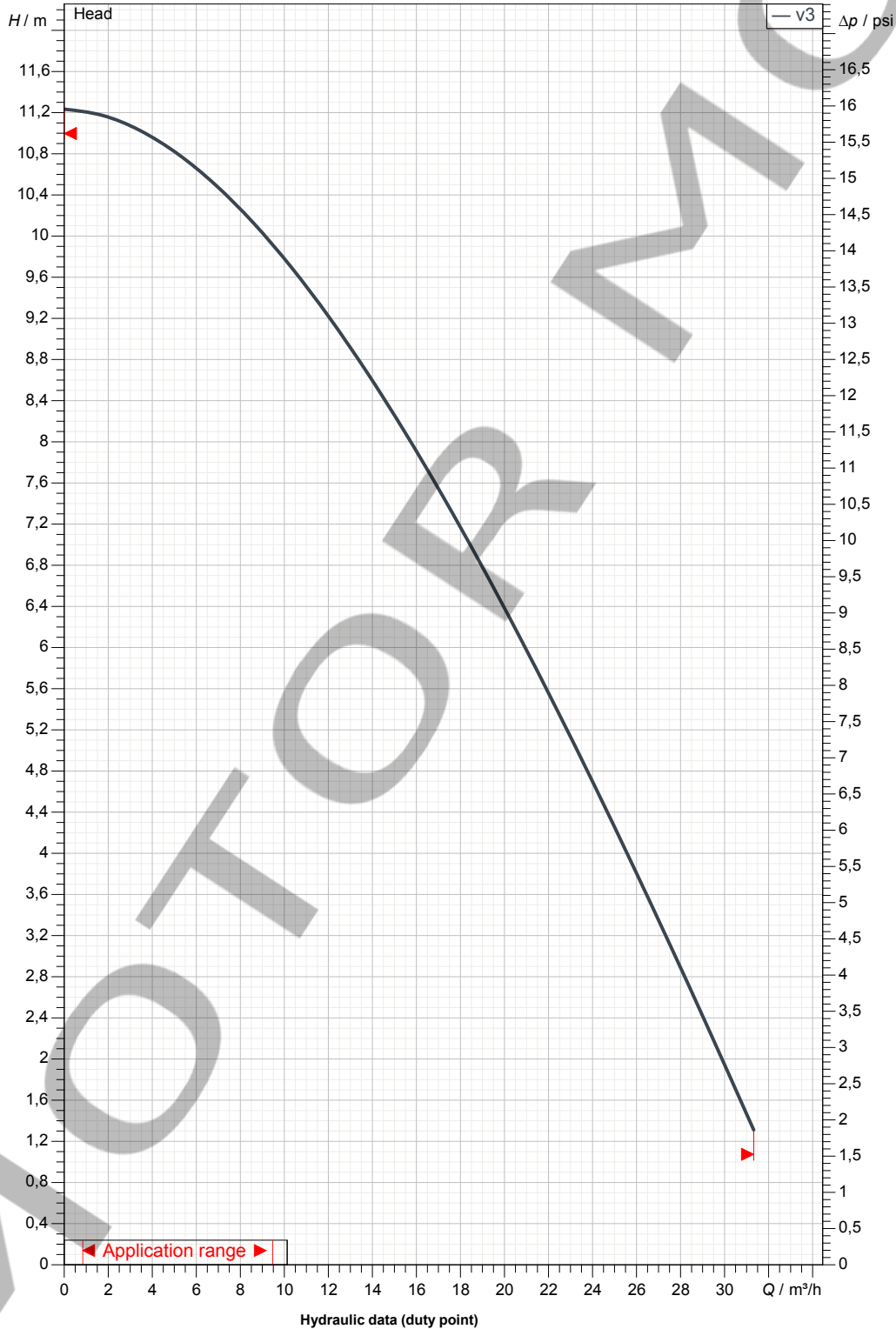
Receiver

From

Society
Reference
Address
Phone
Fax
E-mail

BPH 120/280.50 M

Curve tolerance according to ISO 9906



Suction side :
DN 50
PN 10

Discharge side :
DN 50
PN 10

Flow :

Head :

Rated speed :
2690 1/min

MAIN_PROJECT_TITLE

BUSINESS_PROCESS_IT

OWNER_

ISSUE_DATE



DIMENSIONAL DRAWING

DAB PUMPS S.p.A.
Via Marco Polo, 14 - 35035 Mestrino (PD), Italy
Tel. +39 049 5125000 - Fax +39 049 5125950
www.dabpumps.com

31/07/2015

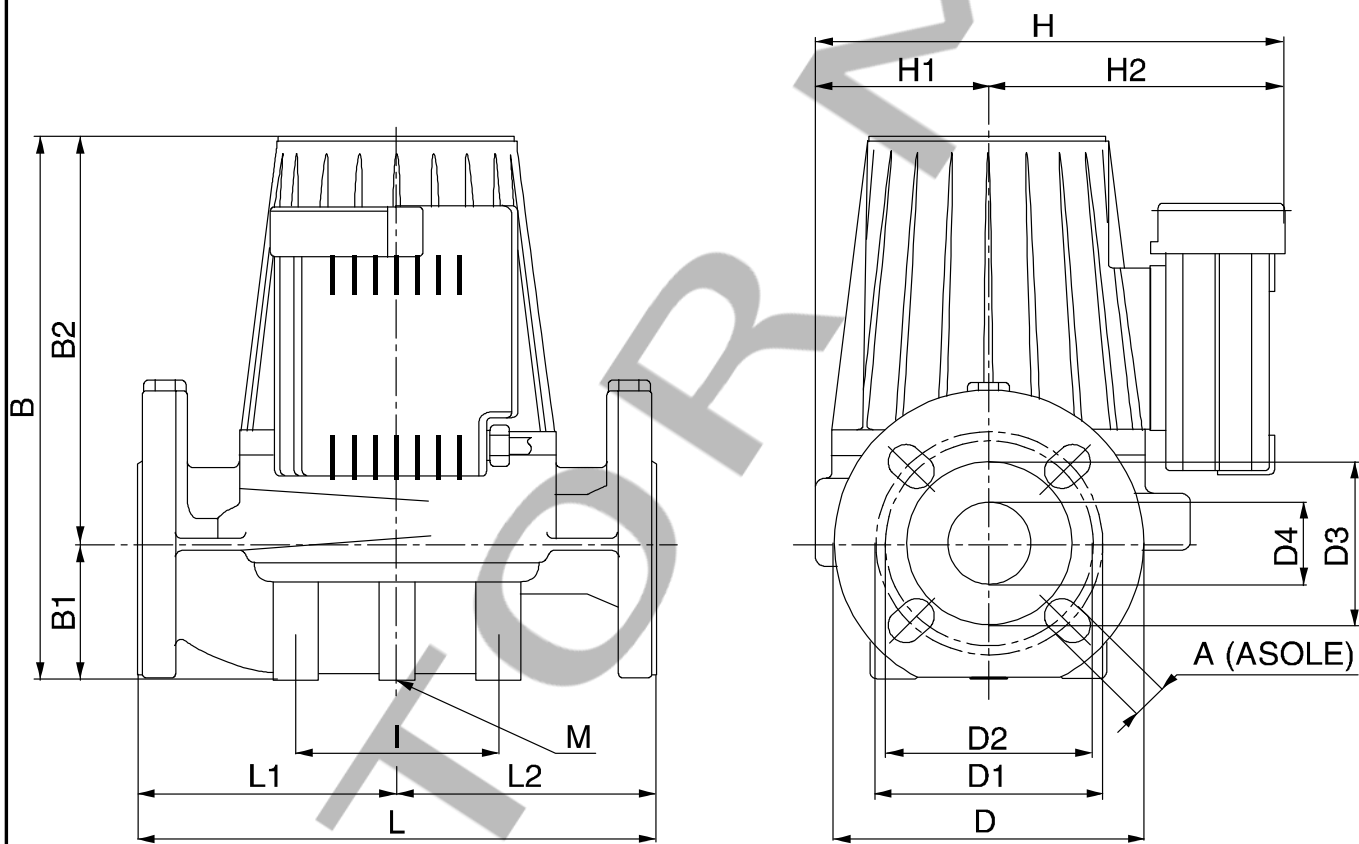
Page 3 / 3

Receiver

From

Society
Reference
Address
Phone
Fax
E-mail

BPH 120/280.50 M



Dimensions in mm					Pump connection	
1	A	18	I	100	Suction	DN 50 PN 10
2	B	312	I1	-		
3	B1	73	I2	-		
4	B2	239	I3	-	Discharge	DN 50 PN 10
5	D	165	L	280		
6	D1	125	L1	140		
7	D2	110	L2	140		
8	D3	90	M	M10		
9	D4	50				
10	H	254				
11	H1	96				
12	H2	158				

MAIN_PROJECT_TITLE	BUSINESS_PROCESS_ID	OWNER	ISSUE_DATE
--------------------	---------------------	-------	------------