

Contar	Descripción
--------	-------------

1	<p><b>HYDRO MPC-E 3 CR64-3</b></p>  <p><b>Código:</b> <a href="#">96941444</a></p> <p>Pressure booster system supplied as compact assembly according to DIN standard 1988/T5. All pumps are speed-controlled.</p> <p>The booster system is equipped with CR pumps connected to external Grundfos CUE frequency converters (one per pump).</p> <ul style="list-style-type: none"> <li>* Hydro MPC-E maintains a constant pressure through continuous adjustment of the speed of the pumps.</li> <li>* The system performance is adapted to the demand through cutting in/out the required number of pumps and through parallel control of the pumps in operation.</li> <li>* Pump changeover is automatic and depends on load, time and fault.</li> <li>* All pumps in operation will run at individual speeds.</li> </ul> <p>The system consists of these parts:</p> <ul style="list-style-type: none"> <li>* Pump parts in contact with the pumped liquid are made of stainless steel EN DIN 1.4301.</li> <li>* Pump bases and heads are of cast iron EN-GJS-500-7 (CR), other vital parts are made of stainless steel EN DIN 1.4301.</li> <li>* The pumps are equipped with a service-friendly cartridge shaft seal, HQQE (SiC/SiC/EPDM).</li> <li>* Two manifolds of stainless steel EN DIN 1.4571.</li> <li>* Base frame of stainless steel EN DIN 1.4301 up to CR 64. Above CR 64 the pumps are placed on a galvanized C-profile frame.</li> <li>* One non-return valve (POM) and two isolating valves for each pump.</li> <li>* Non-return valves are certified according to DVGW, isolating valves according to DIN and DVGW.</li> <li>* Adapter with isolating valve for connection of diaphragm tank.</li> <li>* Pressure gauge and pressure transmitter (analog output 4-20 mA).</li> <li>* Control MPC in a steel cabinet, IP 54, including main switch, all required fuses, motor protection, switching equipment and microprocessor-controlled CU 352.</li> </ul> <p>Dry-running protection and diaphragm tank are available according to the list of accessories.</p> <p>Pump operation is controlled by Control MPC with the following functions:</p> <ul style="list-style-type: none"> <li>* Intelligent multipump controller, CU 352.</li> <li>Constant-pressure control through continuously variable adjustment of the speed of each individual pump.</li> <li>PID controller with adjustable PI parameters (Kp + Ti).</li> <li>Constant pressure at setpoint, independent of inlet pressure.</li> <li>Soft pressure build-up (To prevent water hammer during startup).</li> <li>On/off operation at low flow.</li> <li>Automatic cascade control of pumps for optimum efficiency.</li> <li>Selection of min. time between start/stop, automatic pump changeover and pump priority.</li> <li>Automatic pump test function to prevent idle pumps from seizing up.</li> <li>Possibility of standby pump allocation.</li> <li>Possibility of backup sensor (redundant primary sensor).</li> <li>Secondary sensor (Possible to switch to another sensor/setpoint).</li> </ul>
---	--

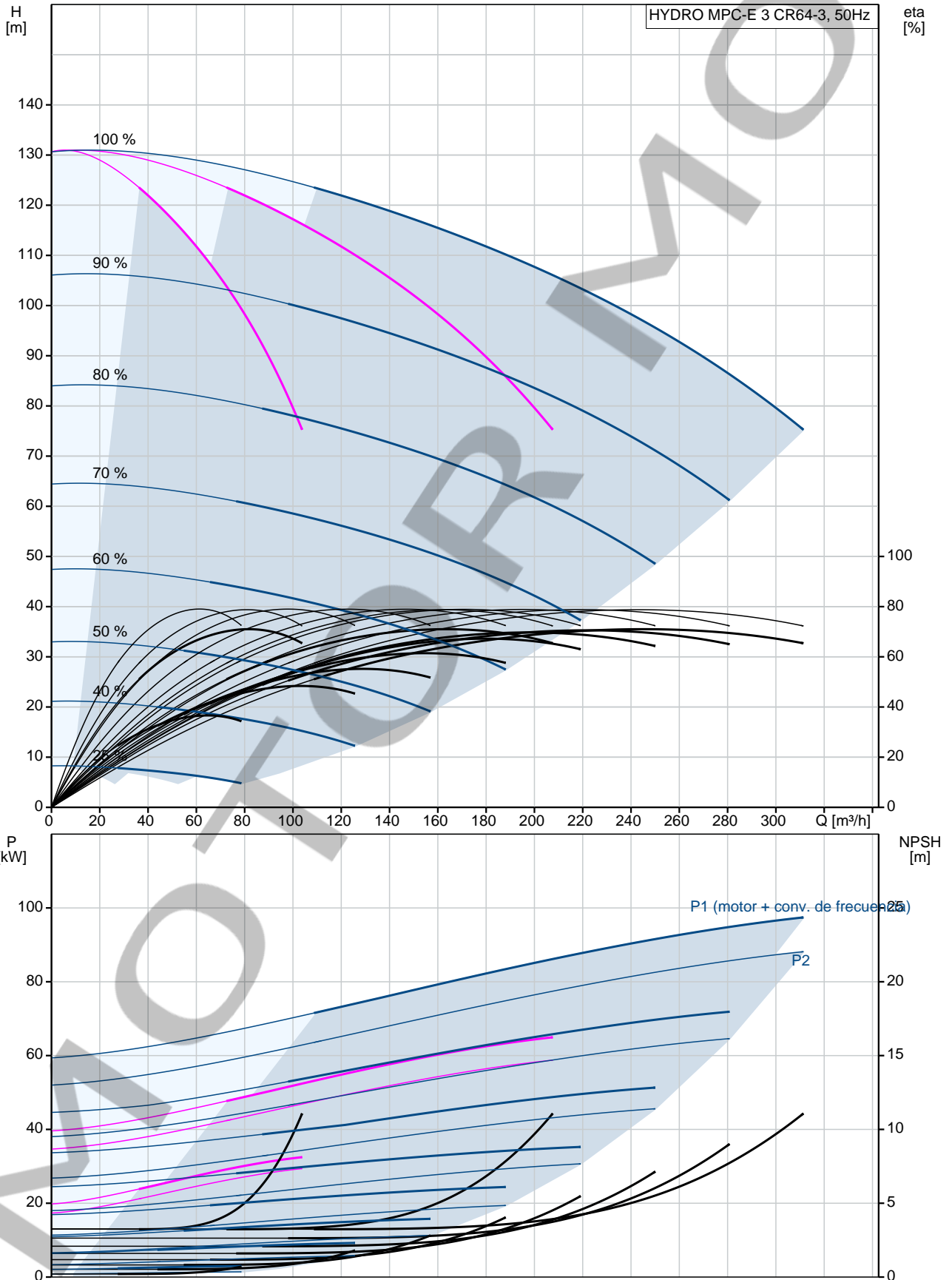


Advertia! la foto puede diferir del actual producto

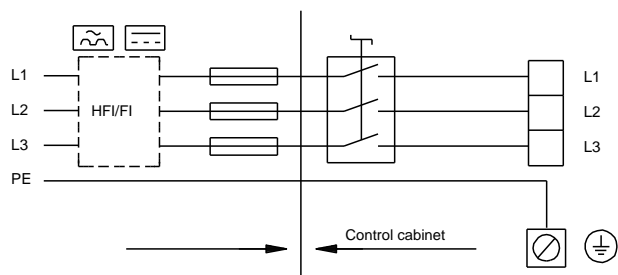
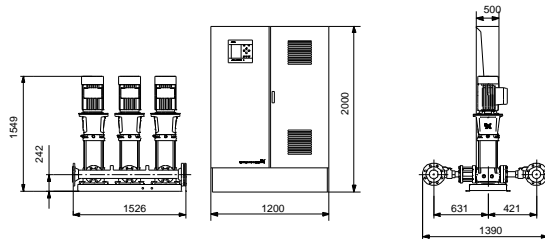
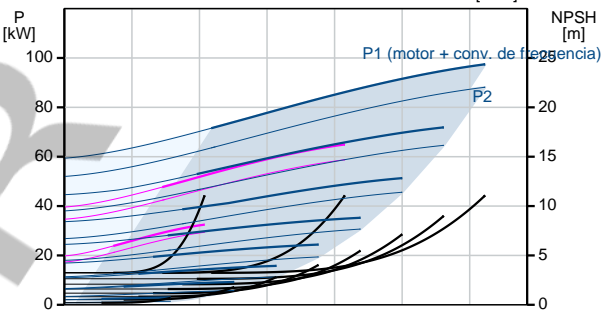
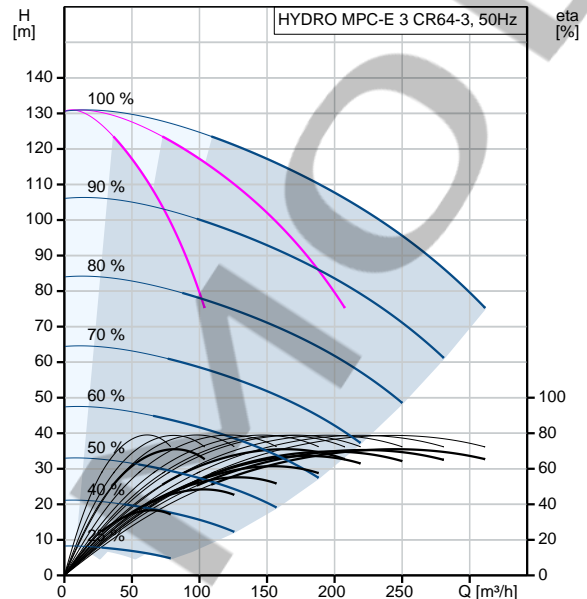


Contar	Descripción
	<p>Multi-sensor (up to 6 sensors to influence the setpoint).  Manual operation.  Possibility of external setpoint influence.  Log function.  Setpoint ramp.  Possibility of digital remote-control functions:  System on/off.  Max., min. or user-defined duty.  Up to 6 alternative setpoints.  Digital inputs and outputs can be configured individually.  Pump and system monitoring functions:  Minimum and maximum limits of current value.  Inlet pressure.  Motor protection.  Sensors and cables monitored for malfunction.  Alarm log with the previous 24 warnings/alarms.  Display and indication functions:  Colour screen display.  Green indicator light for operating indications and red indicator light for fault indications.  Potential-free changeover contacts for operation and fault.  Grundfos bus communication.</p> <p>It is possible to add CIM communication modules for communicating with Scada/BMS.</p> <p> Fluido: Agua  Presión max. del sistema: 16 bar  Caudal (Instalación): 306 m<sup>3</sup>/h  Alimentación: 380-415 V  Corriente nominal instalación: 165,9A-400V  Potencia nominal: 30 kW  Peso neto: 1690 kg </p> <p> Maximum head: 131 m  Maximum flow: 306 m<sup>3</sup>/h </p>

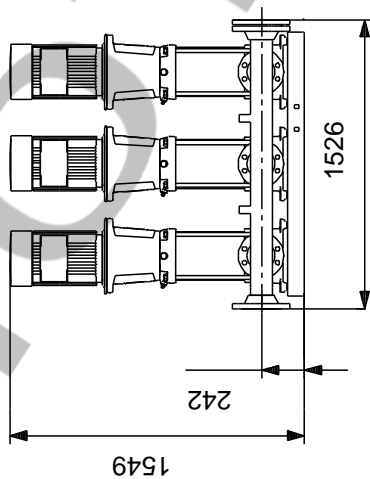
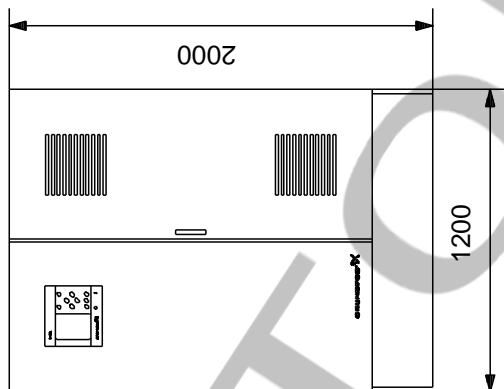
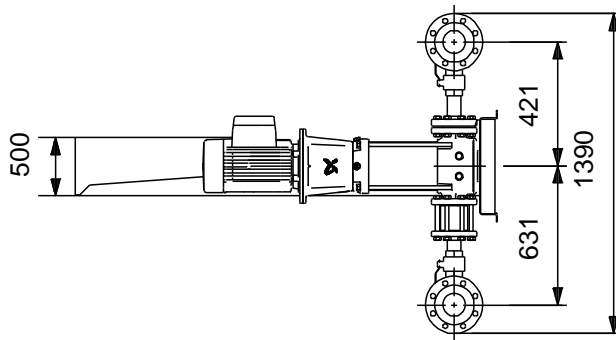
## 96941444 HYDRO MPC-E 3 CR64-3 50 Hz



Descripción	Valor
<b>Información general:</b>	
Producto::	HYDRO MPC-E 3 CR64-3
Código::	96941444
Número EAN::	5700314239749
<b>Técnico:</b>	
Caudal nominal:	231 m <sup>3</sup> /h
Caudal máx.:	306 m <sup>3</sup> /h
Altura nominal:	98.9 m
Altura máx.:	131 m
Nombre de la bomba principal:	CR64-3
Bomba princ. n.º:	96123689
Número de bombas:	3
Válvula antirret.:	lado descarga
<b>Materiales:</b>	
Colectores:	EN/DIN 1.4571/ AISI 316 TI
<b>Instalación:</b>	
Presión de trabajo máxima:	16 bar
Presión de entrada máxima permitida:	2.9 bar
Entrada de colector:	DN200
Salida de colector:	DN200
Presión nominal:	PN16
Toma de tierra:	PE
Diseño del sistema:	C
<b>Líquido:</b>	
Líquido bombeado:	Agua
Rango de temperatura del líquido:	5 .. 60 °C
Temperatura del líquido durante el funcionamiento:	20 °C
Densidad:	998.2 kg/m <sup>3</sup>
<b>Datos eléctricos:</b>	
Potencia (P2) bomba principal:	30 kW
Frecuencia de red:	50 Hz
Tensión nominal:	3 x 380-415 V
Intensidad nominal del sistema:	165,9A-400V
Tipo de arranque:	S/D
Grado de protección (IEC 34-5):	IP54
Supresión de radiointerferencias:	EMC DIRECTIVE(2014/30/EU)
<b>Paneles control:</b>	
Control type:	E
Dry running protection, mechanical:	NONE
<b>Depósito:</b>	
Depósito de membrana:	No
<b>Otros:</b>	
Peso neto:	1690 kg
Peso bruto:	1770 kg
Gama de productos:	Internacional
Fichero de configuración Control MPC:	98271947
Fichero de configuración Hydro MPC:	98272018
País de origen.:	DE
Tarifa personalizada n.º:	84137075

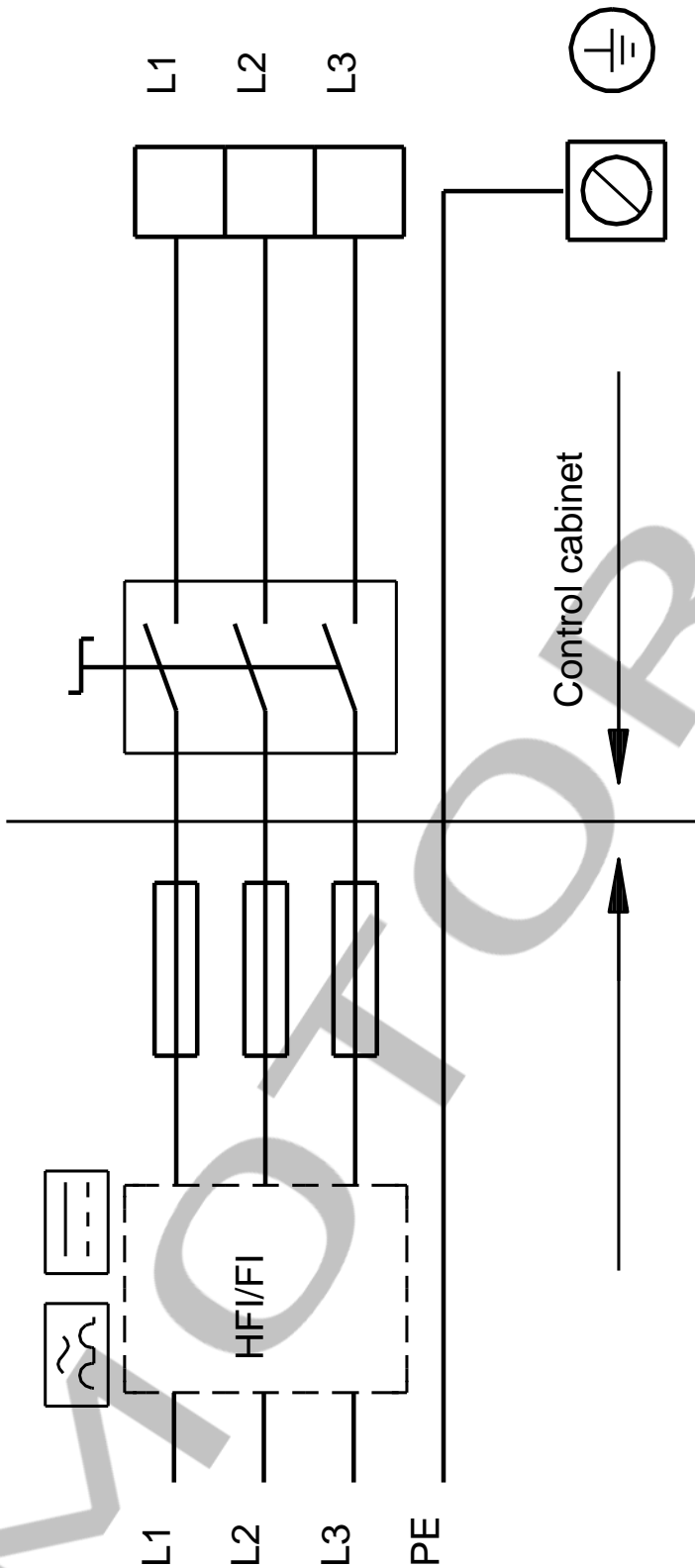


## 96941444 HYDRO MPC-E 3 CR64-3 50 Hz



Nota: Todas las unidades están en [mm] a menos que se indiquen otras. Exención de responsabilidad: este esquema dimensional simplificado no muestra todos los detalles.

## 96941444 HYDRO MPC-E 3 CR64-3 50 Hz



¡Nota! Uds en [mm] a menos que otras estén expresadas